

Selection - PR-AC 404 T

Product Code	7PA4099
Requested Air Volume	4 570 m ³ /h
Requested Pressure	133 Pa
Air Volume	4 578 m ³ /h
Static Pressure	133 Pa
Total Pressure	196 Pa
Velocity Pressure	63 Pa
Outlet Velocity	10,12 m/s
SFP	0,29 W/l/s
Fan Total Efficiency	68,6 %
Fan Static Efficiency	46,6 %
Air Properties	1,22kg/m ³ / 15°C/ 0m/ 50% RH
Motor Input Power	0,363 kW
Temperature Range	-15°C +70°C

Construction Settings

Arrangement	4
Discharge	LG-270
Motor Position	D

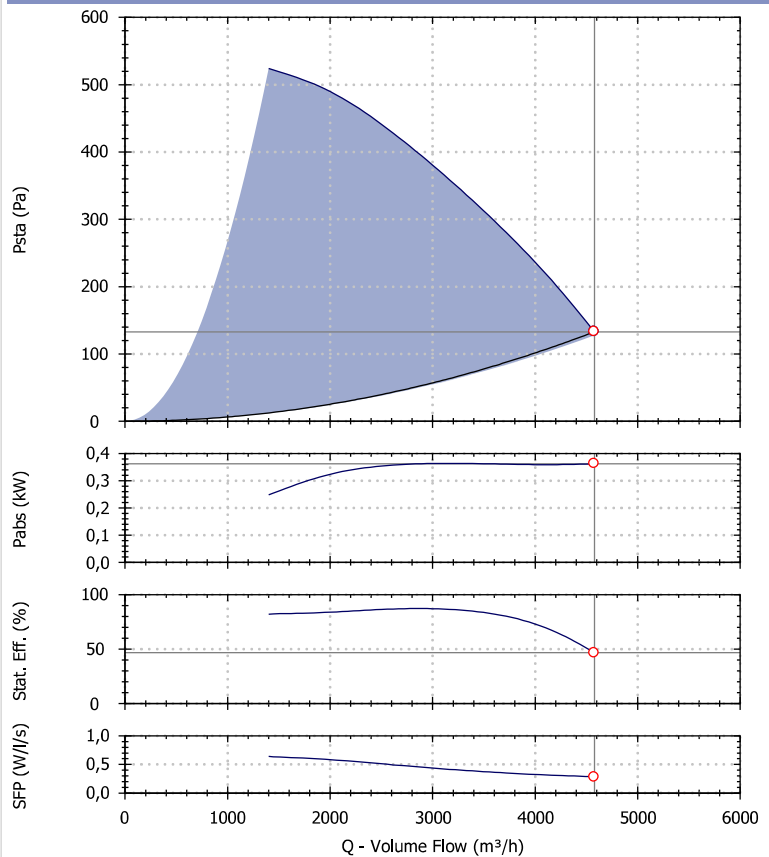
Motor Selection

Electrical Supply	400/3/50
Motor Rating	0.55 kW
Enclosure/Class	55 / F
Poles number	4
Motor Speed	1400 rpm
Full Load Current	1.60 A

ERP Information

ERP Compliance	Exempt
Type	-
Regulation	-
Category of measure	-

Fan Performance



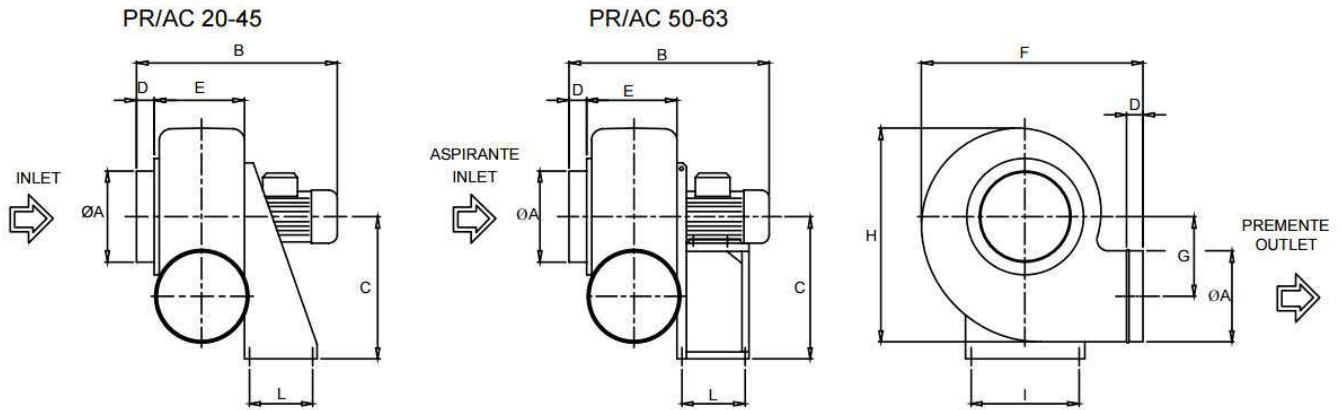
Performances refers to Maico Italia measures and may vary according to the installation type.

Sound Performance

Hz	63	125	250	500	1k	2k	4k	8k	Overall
Lw	67	69	70	65	64	59	51	43	75
Lw(A)	41	53	61	62	64	60	52	42	68
LpA @ 3m	20	32	41	41	43	40	31	21	48

Sounds spectra refers to Maico Italia measures performed in our laboratories. The values provided are just indicative of the situation and Maico Italia declines every responsibility in case different levels measured by our customers as the installation types and the environmental variables may increase/decrease these values.

Drawing and Dimensions - PR-AC 404 T



Key	B	C	D	E	F	G	H	I	kg	L	M	N	O	OA
Value [mm]	550	495	40	240	675	290	790	325	38	170	150	365	170	315

Drawings are indicative of the size of the selected fan. These dimensions may vary, even without any explicit advice. To have more accurate information contact your local agency.

Electric Wire Connections

