

Selection - PR-AC 284 T

Product Code	7PA2893
Requested Air Volume	1 586 m ³ /h
Requested Pressure	49,2 Pa
Air Volume	1 589 m ³ /h
Static Pressure	49,4 Pa
Total Pressure	81 Pa
Velocity Pressure	31,4 Pa
Outlet Velocity	7,17 m/s
SFP	0,17 W/l/s
Fan Total Efficiency	48,1%
Fan Static Efficiency	29,4 %
Air Properties	1,22kg/m ³ / 15°C/ 0m/ 50% RH
Motor Input Power	0,074 kW
Temperature Range	-15°C +70°C

Construction Settings

Arrangement	4
Discharge	LG-270
Motor Position	D

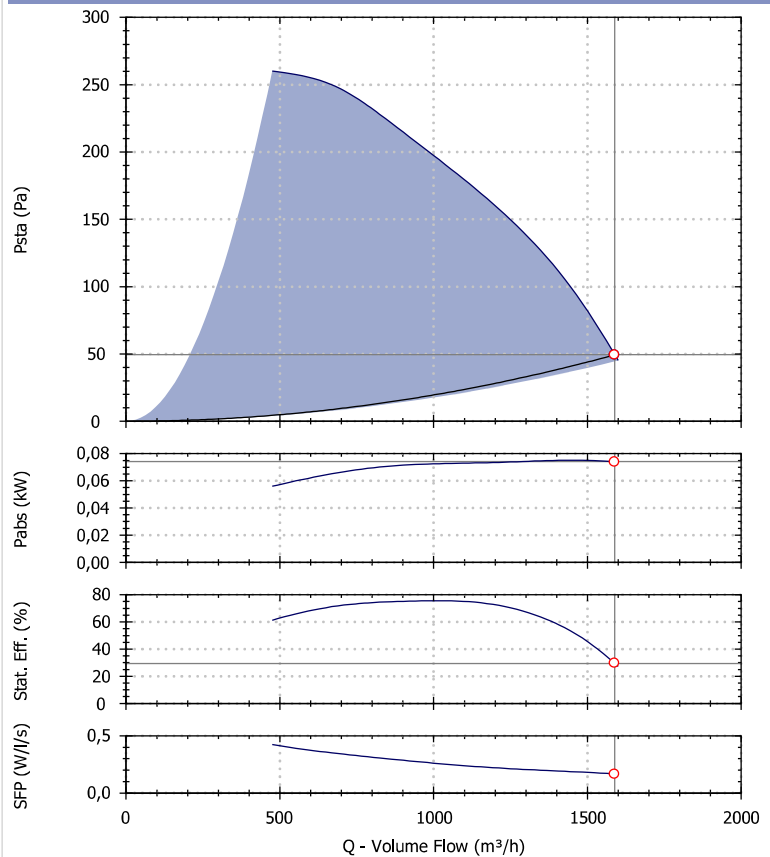
Motor Selection

Electrical Supply	400/3/50
Motor Rating	0.18 kW
Enclosure/Class	55 / F
Poles number	4
Motor Speed	1330 rpm
Full Load Current	0.60 A

ERP Information

ERP Compliance	Exempt
Type	
Regulation	-
Category of measure	-

Fan Performance



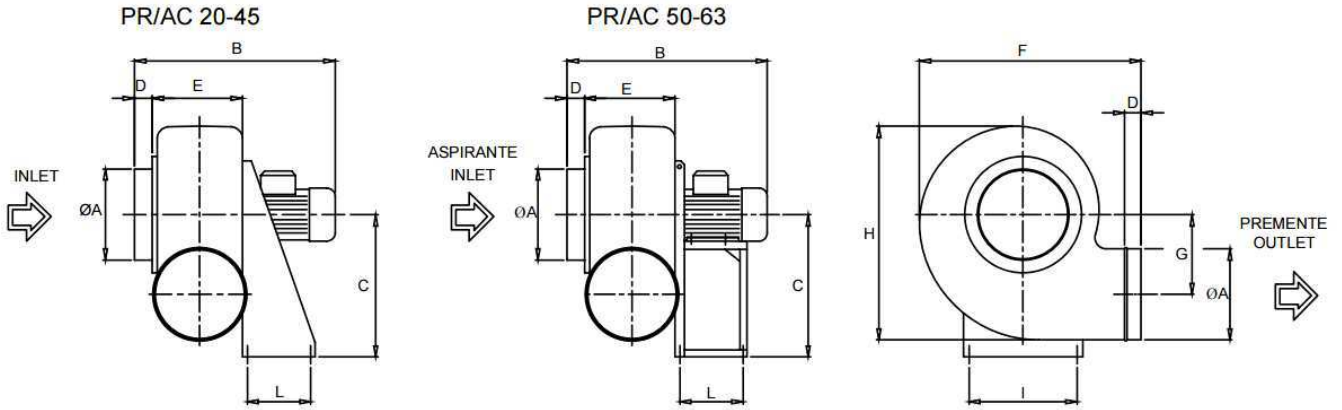
Performances refers to Maico Italia measures and may vary according to the installation type.

Sound Performance

Hz	63	125	250	500	1k	2k	4k	8k	Overall
Lw	58	60	61	56	55	50	42	34	66
Lw(A)	32	44	52	53	55	51	43	33	59
LpA @ 3m	11	23	32	32	34	31	22	12	39

Sounds spectra refers to Maico Italia measures performed in our laboratories. The values provided are just indicative of the situation and Maico Italia declines every responsibility in case different levels measured by our customers as the installation types and the environmental variables may increase/decrease these values.

Drawing and Dimensions - PR-AC 284 T



Key	B	C	D	E	F	G	H	I	kg	L	M	N	O	OA
Value [mm]	490	350	30	190	520	208	560	277	22	120	120	275	170	225

Drawings are indicative of the size of the selected fan. These dimensions may vary, even without any explicit advice. To have more accurate information contact your local agency.

Electric Wire Connections

