

Selection - PR-AC 282 T

Product Code	7PA2892
Requested Air Volume	3 164 m ³ /h
Requested Pressure	197 Pa
Air Volume	3 177 m ³ /h
Static Pressure	199 Pa
Total Pressure	324 Pa
Velocity Pressure	125 Pa
Outlet Velocity	14,33 m/s
SFP	0,67 W/l/s
Fan Total Efficiency	48,2 %
Fan Static Efficiency	29,5 %
Air Properties	1,22kg/m ³ / 15°C/ 0m/ 50% RH
Motor Input Power	0,593 kW
Temperature Range	-15°C +70°C

Construction Settings

Arrangement	4
Discharge	LG-270
Motor Position	D

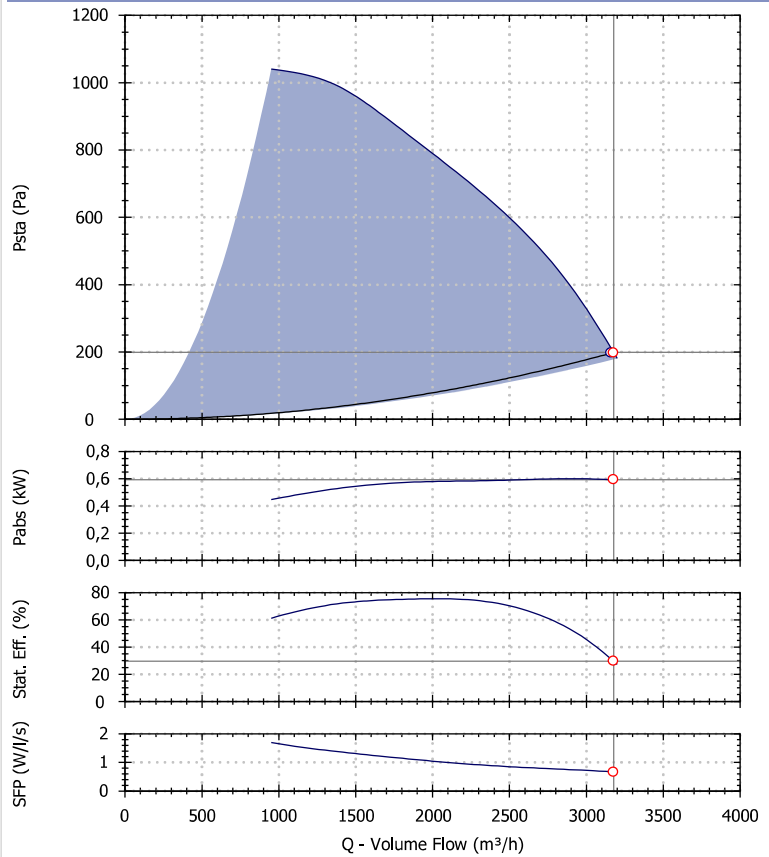
Motor Selection

Electrical Supply	400/3/50
Motor Rating	0.75 kW
Enclosure/Class	55 / F
Poles number	2
Motor Speed	2840 rpm
Full Load Current	1.90 A

ERP Information

ERP Compliance	Exempt
Type	
Regulation	-
Category of measure	-

Fan Performance



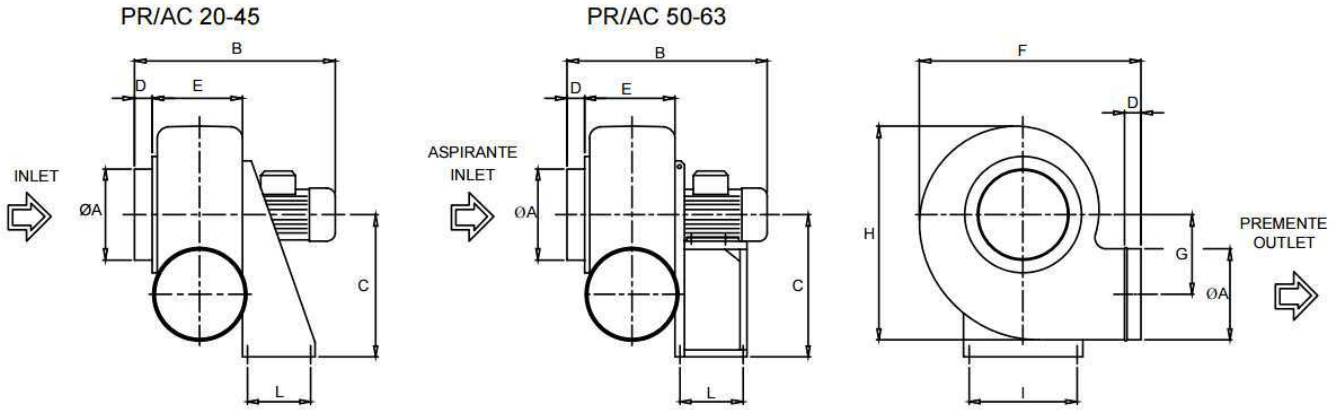
Performances refers to Maico Italia measures and may vary according to the installation type.

Sound Performance

Hz	63	125	250	500	1k	2k	4k	8k	Overall
Lw	73	75	73	74	70	65	57	49	80
Lw(A)	47	59	64	71	70	66	58	48	75
LpA @ 3m	26	38	44	50	49	46	37	27	54

Sounds spectra refers to Maico Italia measures performed in our laboratories. The values provided are just indicative of the situation and Maico Italia declines every responsibility in case different levels measured by our customers as the installation types and the environmental variables may increase/decrease these values.

Drawing and Dimensions - PR-AC 282 T



Key	B	C	D	E	F	G	H	I	kg	L	M	N	O	OA
Value [mm]	490	350	30	190	520	208	560	277	22	120	120	275	170	225

Drawings are indicative of the size of the selected fan. These dimensions may vary, even without any explicit advice. To have more accurate information contact your local agency.

Electric Wire Connections

