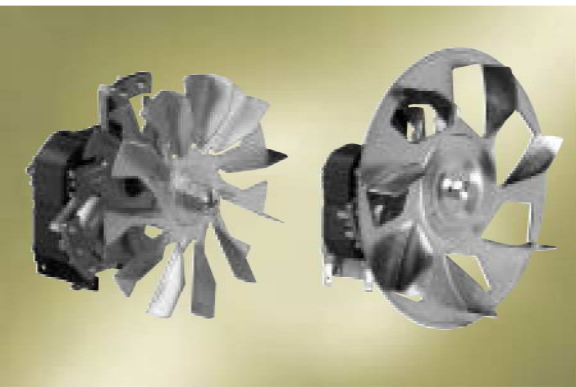


Hot air blowers

RRL 120, RRL 140



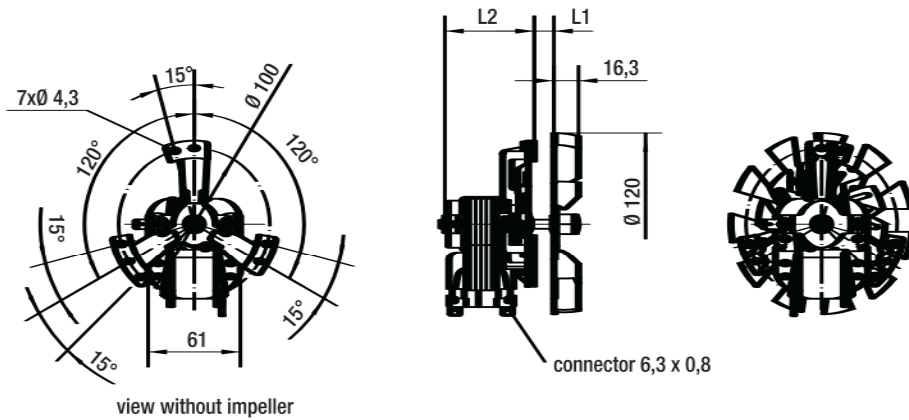
- sintered sleeve bearings with additional lubricant depot for bearing temperature up to max. 120 °C
- mounting position: horizontal shaft
- insulation class H (EN 60335)
- impeller: FAL sheet steel

ebm-papst • Landshut

Nominal data	rated voltage	frequency	air flow	max. pressure increase	power input	speed	mass	recommended air intake	Dimensions mm	
	V	Hz	m³/h	Pa	W	min⁻¹	kg	Ø	L1	L2
RRL120-3020LH	230	50	100	100	29	2000	0,75	100	13	62
RRL140-3020LH	230	50	170	140	38	1700	0,8	120	12	60

Technical data valid for typical applications; bold print = standard type; subject to alterations

RRL 120



RRL 140

