

Hot air blowers

R2E 180, R2D 225



- material: impeller of stainless steel
- bearings: maintenance-free ball bearings
- direction of rotation: R2E 180 -AH: counter-clockwise, seen on impeller
R2D 225 -AG: clockwise, seen on impeller
- connection leads: terminal strip

ebm-papst • Mulmigen

| Nominal data | | characteristic curve | rated voltage | frequency | air flow | current draw | power input | speed | mass | capacitor |
|--------------------|-----------|----------------------|---------------|-----------|-------------------|--------------|-------------|-------------------|------|-----------|
| type | motor | | V | Hz | m ³ /h | A | W | min ⁻¹ | kg | μF/VDB |
| R2E 180 -AH05-06 | M2E068-DF | ① | 230 | 50 | 480 | 0,51 | 115 | 2600 | 3,1 | 3,0/400 |
| | | | 230 | 60 | 520 | 0,68 | 155 | 2850 | 3,1 | 3,0/400 |
| R2D 225 -AG02-10*) | M2D068-EC | ② | 230/400 | 50 | 1265 | 0,29 | 165 | 2700 | 4,0 | - |
| | | | 230/400 | 60 | 1395 | 0,39 | 250 | 3000 | 4,0 | - |

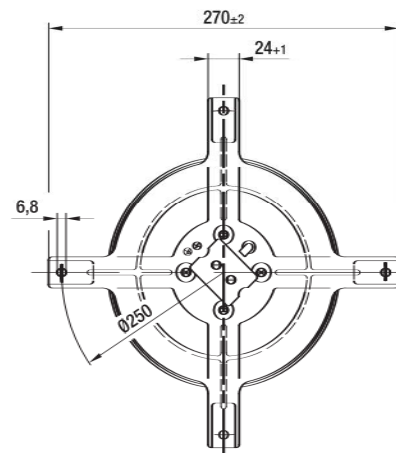
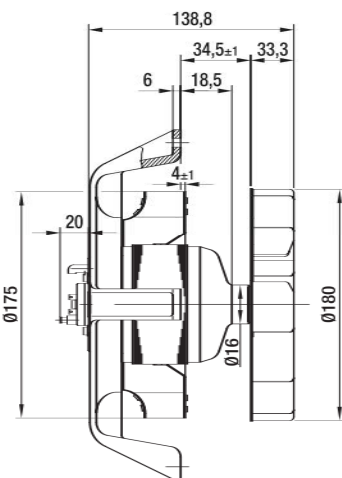
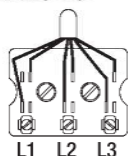
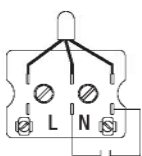
*) current draw established at 400 VAC (Y), subject to alterations

R2E 180

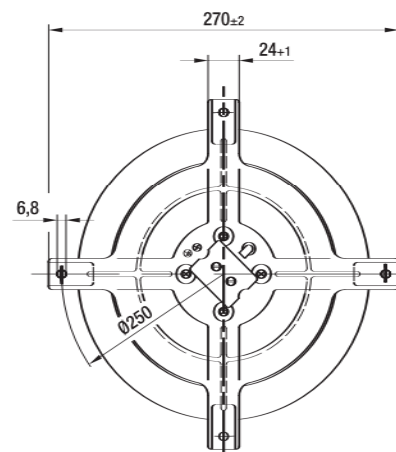
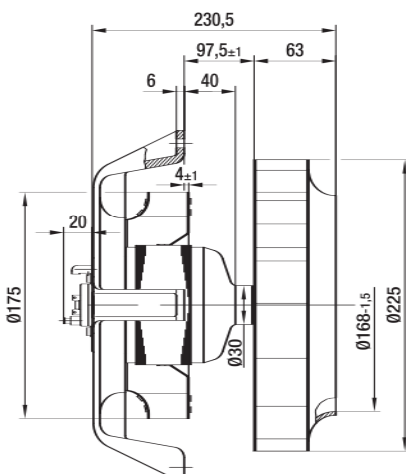
electrical connection:

R2E 180 -AH

R2D 225 -AG



R2D 225



Characteristic curves

