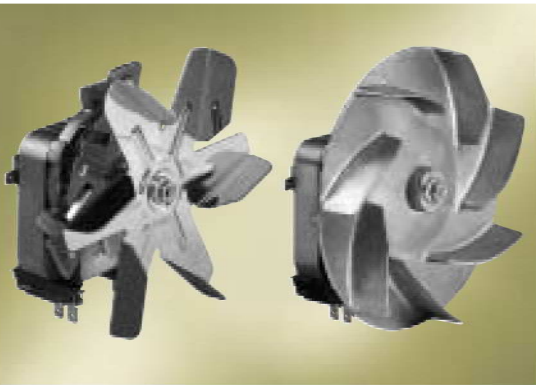


# Hot air blowers

R2A150AC, R2A150AA

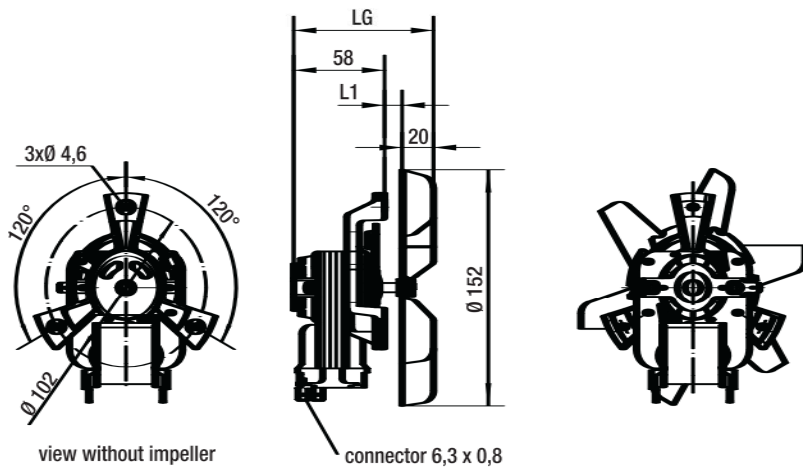
- bearing: sintered sleeve bearings with additional lubricant depot
- mounting position: horizontal shaft
- impeller: R2A150AC stainless steel  
R2A150AA die-cast aluminium
- insulation class: H (EN 60335)



Nominal data	rated voltage	frequency	air flow	max. pressure increase	power input	speed	mass	recommended air intake	Dimensions mm	
	<b>V</b>	<b>Hz</b>	<b>m<sup>3</sup>/h</b>	<b>Pa</b>	<b>W</b>	<b>min<sup>-1</sup></b>	<b>kg</b>	<b>Ø</b>	<b>L1</b>	<b>LG</b>
<b>R2A150-AC</b>	230	50	170	140	32	1800	1	120	21	98
R2A150-AA	230	50	190	180	30	2000	1,1	120	18,4	102,5

Technical data valid for typical applications; bold print = standard type; subject to alterations

## R2A150AC



## R2A150AA

