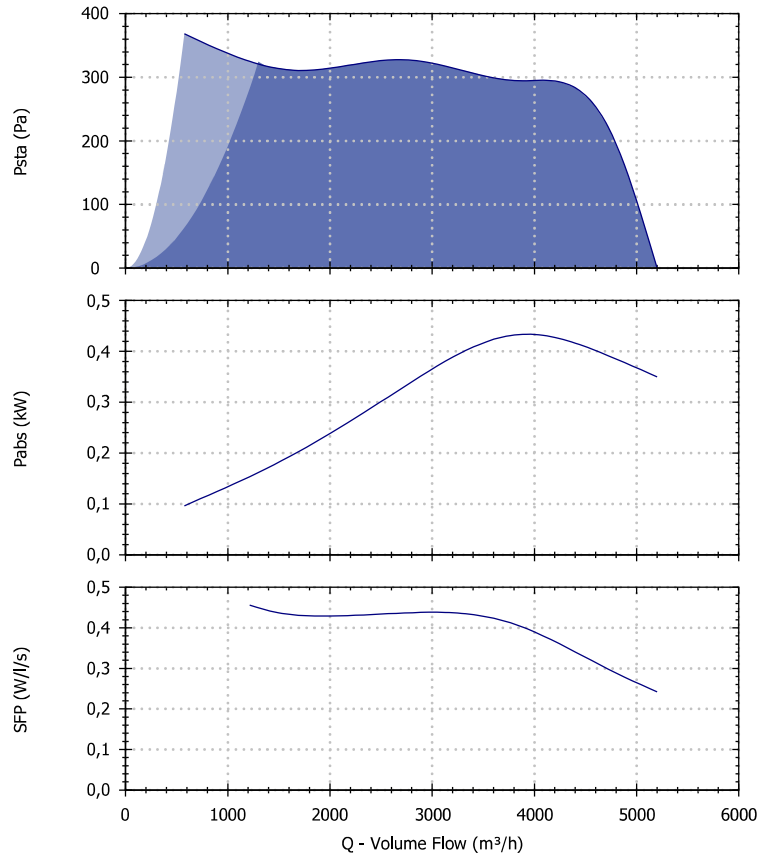


## Selection - DA 12-9A M

|                      |                         |
|----------------------|-------------------------|
| Product Code         | 1DA0097                 |
| Requested Air Volume | 0,000 m <sup>3</sup> /h |
| Requested Pressure   | 0,000 Pa                |
| Air Volume           | 0,000 m <sup>3</sup> /h |
| Static Pressure      | 0,000 Pa                |
| Total Pressure       | 0,000 Pa                |
| Velocity Pressure    | 0,000 Pa                |
| Outlet Velocity      | 0,00 m/s                |
| Air Temperature      | 15 °C                   |
| Altitude             | 0 m                     |
| Motor Input Power    | -                       |
| Temperature Range    | -20°C +40°C             |

## Fan Performance



Performances refers to Maico Italia measures and may vary according to the installation type.

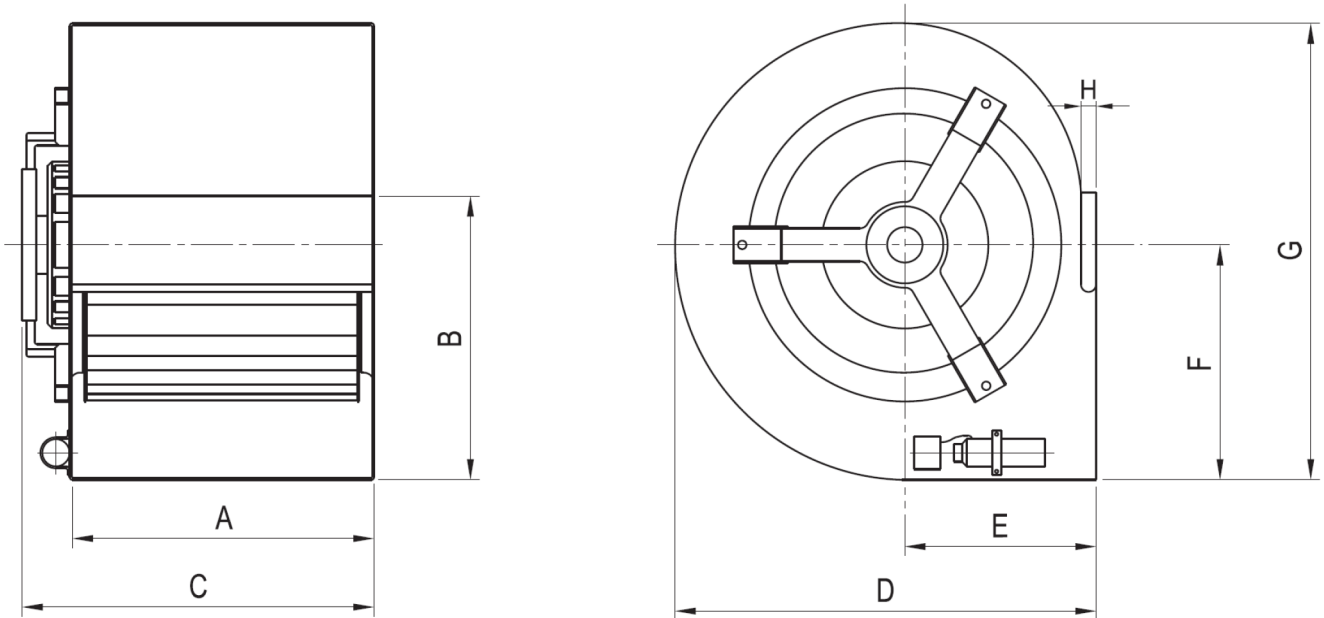
## Sound Performance

|          | 63 | 125 | 250 | 500 | 1k | 2k | 4k | 8k | Overall |
|----------|----|-----|-----|-----|----|----|----|----|---------|
| Lw       | 74 | 78  | 74  | 73  | 73 | 73 | 14 | 65 | 83      |
| Lw(A)    | 48 | 62  | 66  | 70  | 73 | 75 | 15 | 64 | 78      |
| LpA @ 2m | 31 | 45  | 48  | 53  | 56 | 57 | -2 | 47 | 61      |

Sounds spectra refers to Maico Italia measures performed in our laboratories. The values provided are just indicative of the situation and Maico Italia declines every responsibility in case different levels measured by our customers as the installation types and the environmental variables may increase/decrease these values.

## Selected Accessories

Drawing and Dimensions - DA 12-9A M



| Key        | A   | B   | C   | D   | E   | F   | G   | H  | Kg |
|------------|-----|-----|-----|-----|-----|-----|-----|----|----|
| Value [mm] | 310 | 340 | 400 | 490 | 230 | 295 | 520 | 40 | 21 |

Drawings are indicative of the size of the selected fan. These dimensions may vary, even without any explicit advice. To have more accurate information contact your local agency.