

AC centrifugal fans

backward curved, 3-D, Ø 500



- **Material:** Impeller: Sheet aluminium, welded
Rotor: Cast in aluminium
- **Number of blades:** 9
- **Direction of rotation:** Clockwise, seen on rotor
- **Type of protection:** IP 54 (in accordance with EN 60529)
- **Insulation class:** "F"
- **Mounting position:** Shaft horizontal or rotor on bottom; rotor on top on request
- **Condensate discharge holes:** Rotor-side
- **Mode of operation:** Continuous operation (S1)
- **Bearings:** Maintenance-free ball bearings

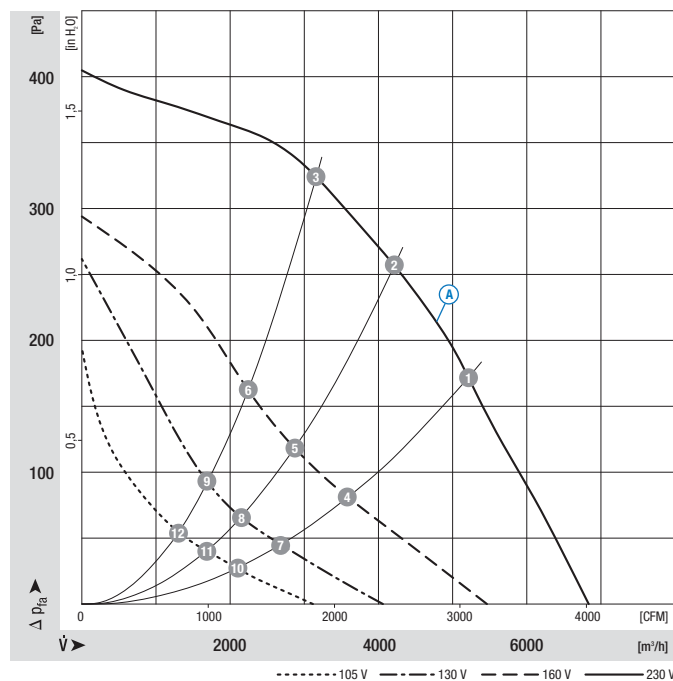
Nominal data

Type	Motor	Curve	Nominal voltage VAC	Frequency Hz	Speed ⁽¹⁾ rpm	Max. power input ⁽¹⁾ kW	Max. current draw ⁽¹⁾ A	Capacitor µF/VDB	Perm. amp. temp. °C	Electr. connection p. 127
R6E 500	M6E 110-IA	Ⓐ	1~ 230	60	1020	0.76	3.33	12.0/450	-40 to +40	A2a)

subject to alterations

(1) Nominal data in operating point with maximum load

Curves

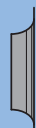


	n [rpm]	P ₁ [kW]	I [A]	L _{wa} [dB(A)]
Ⓐ 1	1040	0.72	3.18	72
Ⓐ 2	1020	0.76	3.33	66
Ⓐ 3	1040	0.72	3.17	69
Ⓐ 4	680	0.42	2.90	60
Ⓐ 5	650	0.42	2.90	57
Ⓐ 6	710	0.42	2.90	59
Ⓐ 7	520	0.28	2.40	53
Ⓐ 8	490	0.28	2.40	50
Ⓐ 9	530	0.28	2.40	52
Ⓐ 10	400	0.18	2.00	48
Ⓐ 11	390	0.18	2.00	45
Ⓐ 12	410	0.18	2.00	46

- **Motor protection:** Design with thermal overload protector
- **Cable exit:** Lateral
- **Protection class:** I (in accordance with EN 61800-5-1)
- **Product conforming to standard:** CE
- **Approvals:** UL, VDE (in accordance with EN 60034)



Mass of centrifugal fan



Centrifugal fan

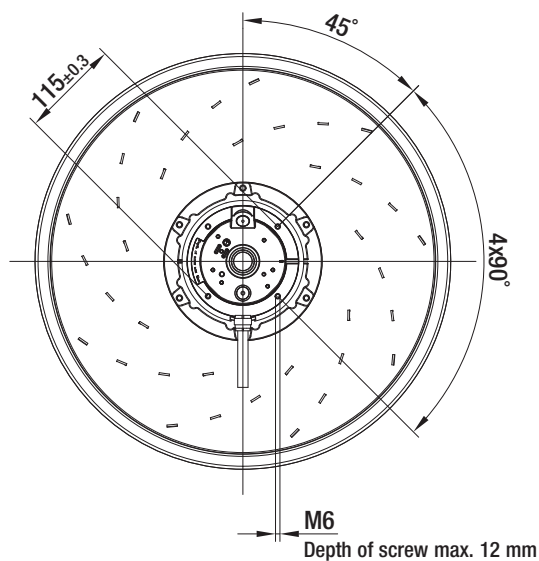
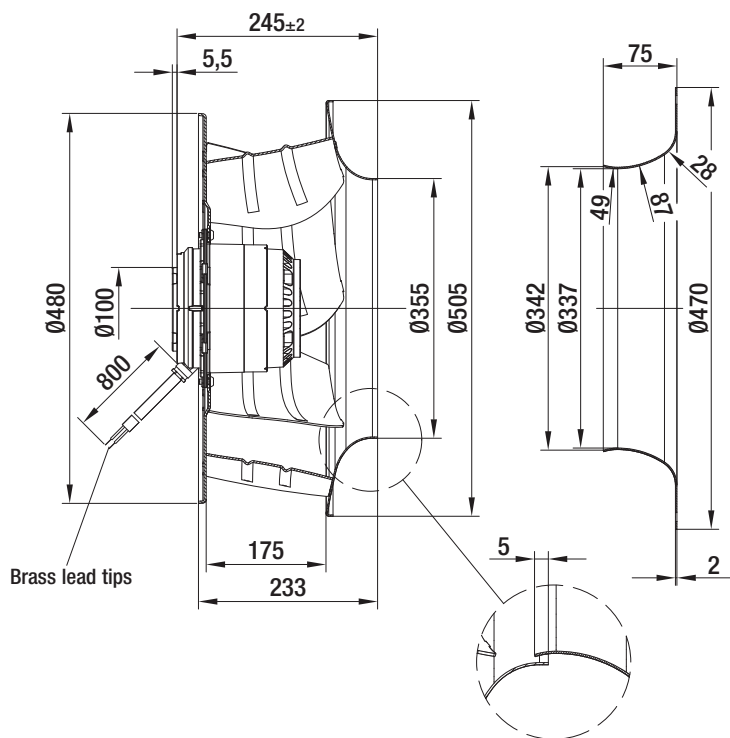
kg

Inlet nozzle (long)

R6E 500-AH03 -01

14.8

63072-2-4013



Mounting dimensions

