



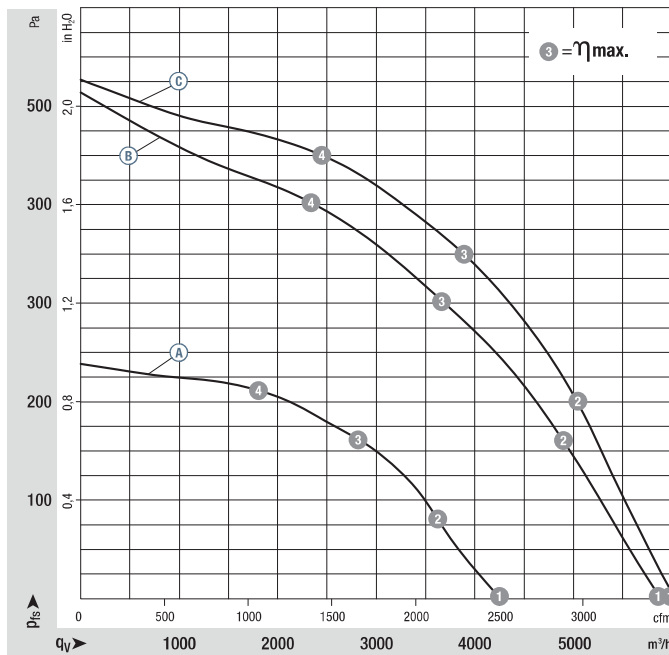
- **Material:** Impeller: Plastic PP
Rotor: Cast in aluminium
- **Number of blades:** 6
- **Direction of rotation:** Clockwise, seen on rotor
- **Type of protection:** IP 54
- **Insulation class:** "F"
- **Mounting position:** Shaft horizontal or rotor on bottom, rotor on top on request
- **Condensate discharges:** Rotor-side
- **Mode of operation:** Continuous operation (S1)
- **Bearings:** Maintenance-free ball bearings

Nominal data		Curve	Nominal voltage	Frequency	Speed/rpm ⁽¹⁾	Max. input power ⁽¹⁾	Max. current draw ⁽¹⁾	Capacitor	Perm. amb. temp.	Electrical connection
Type	Motor	VAC	Hz	rpm	W	A	µF/VDB	°C	p. 170 / 171	
*6E 450	M6E 110-EF	Ⓐ	1~ 230	50	940	285	1,35	8,0 / 450	-40..+60	A1)
*4E 450	M4E 110-GF	Ⓑ	1~ 230	50	1260	690	3,10	14,0 / 450	-40..+55	A1)
*4D 450	M4D 110-GF	Ⓒ	3~ 400	50	1350	710	1,45	---	-40..+60	D2)

subject to alterations

(1) Nominal data in operating point with maximum load and 230 or 400 VAC

Curves:
(50 Hz)



	n rpm	P _{ed} W	I A	L _{WA} dB(A)
Ⓐ ①	960	230	1,15	68
Ⓐ ②	950	260	1,25	65
Ⓐ ③	940	285	1,35	62
Ⓐ ④	945	270	1,30	63
Ⓑ ①	1365	545	2,40	77
Ⓑ ②	1310	630	2,75	74
Ⓑ ③	1260	690	3,10	69
Ⓑ ④	1295	650	2,85	71
Ⓒ ①	1405	495	1,15	77
Ⓒ ②	1370	645	1,30	75
Ⓒ ③	1350	710	1,45	70
Ⓒ ④	1370	650	1,30	73

Air performance measured as per: ISO 5801, Installation category A, with ebm-papst inlet nozzle without protection against accidental contact. Suction-side noise levels: L_{WA} as per ISO 13347, L_{pA} measured at 1 m distance to fan axis. The acoustic values given are only valid under the measurement conditions listed and may vary depending on the installation situation. With any deviation to the standard setup, the specific values have to be checked and reviewed once installed or fitted! For detailed information see page 172 ff.

- **Motor protection:** Connection for external TOP
- **Touch current:** $\leq 3,5$ mA acc. to IEC 60990 (test circuit, illustration 4)
- **Cable exit:** Variable
- **Protection class:** I (if customer has provided connection for protective earth)
- **Product conforming to standards:** ^(A) ^(B) EN 61800-5-1, CE ^(C) EN 60034, CE
- **Approvals:** VDE, CCC, GOST, UL, CSA



Mass of centrifugal fan

Centrifugal fan	kg
R6E 450-RG01 -01	12,0
R4E 450-RH01 -01	12,0
R4D 450-RH01 -01	9,40

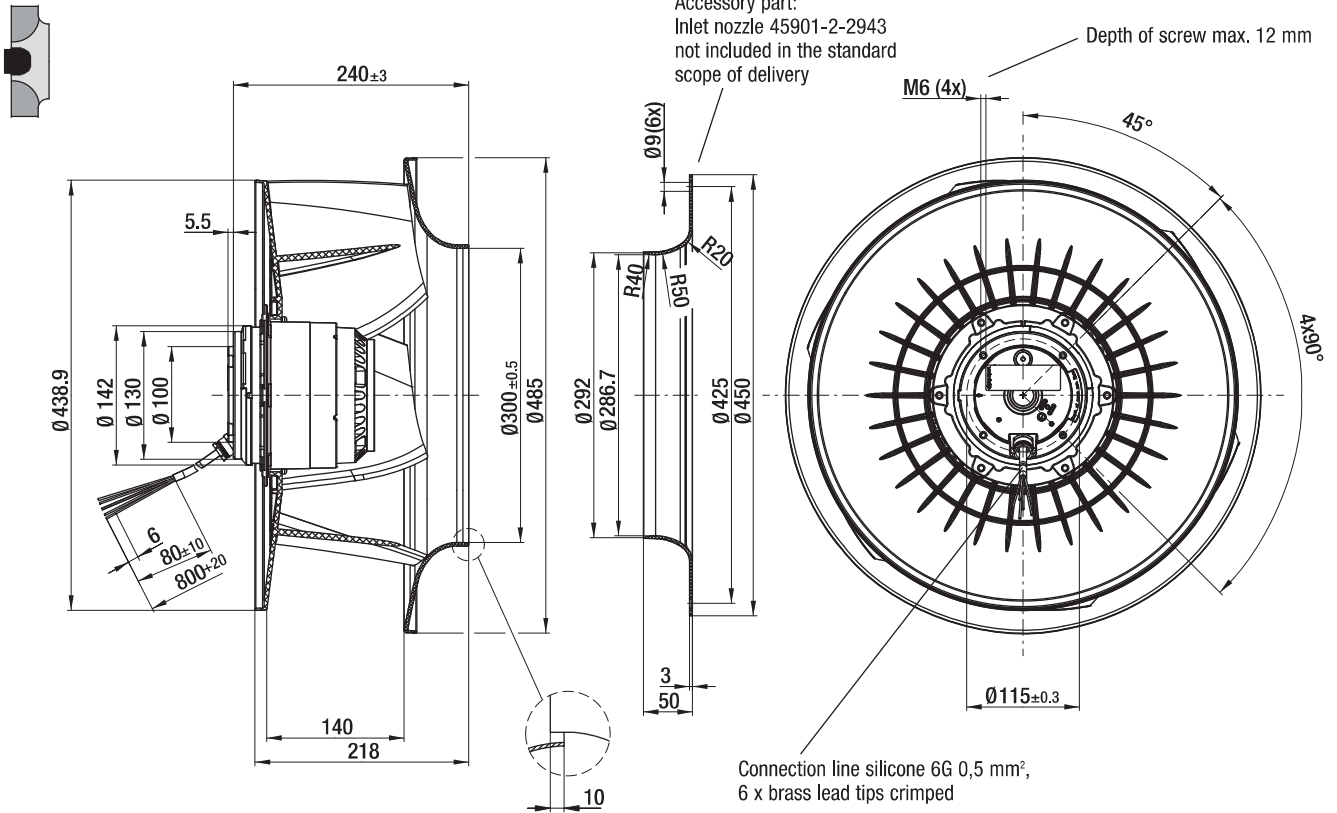
AC centrifugal fans – RadiCal

backward curved, Ø 450

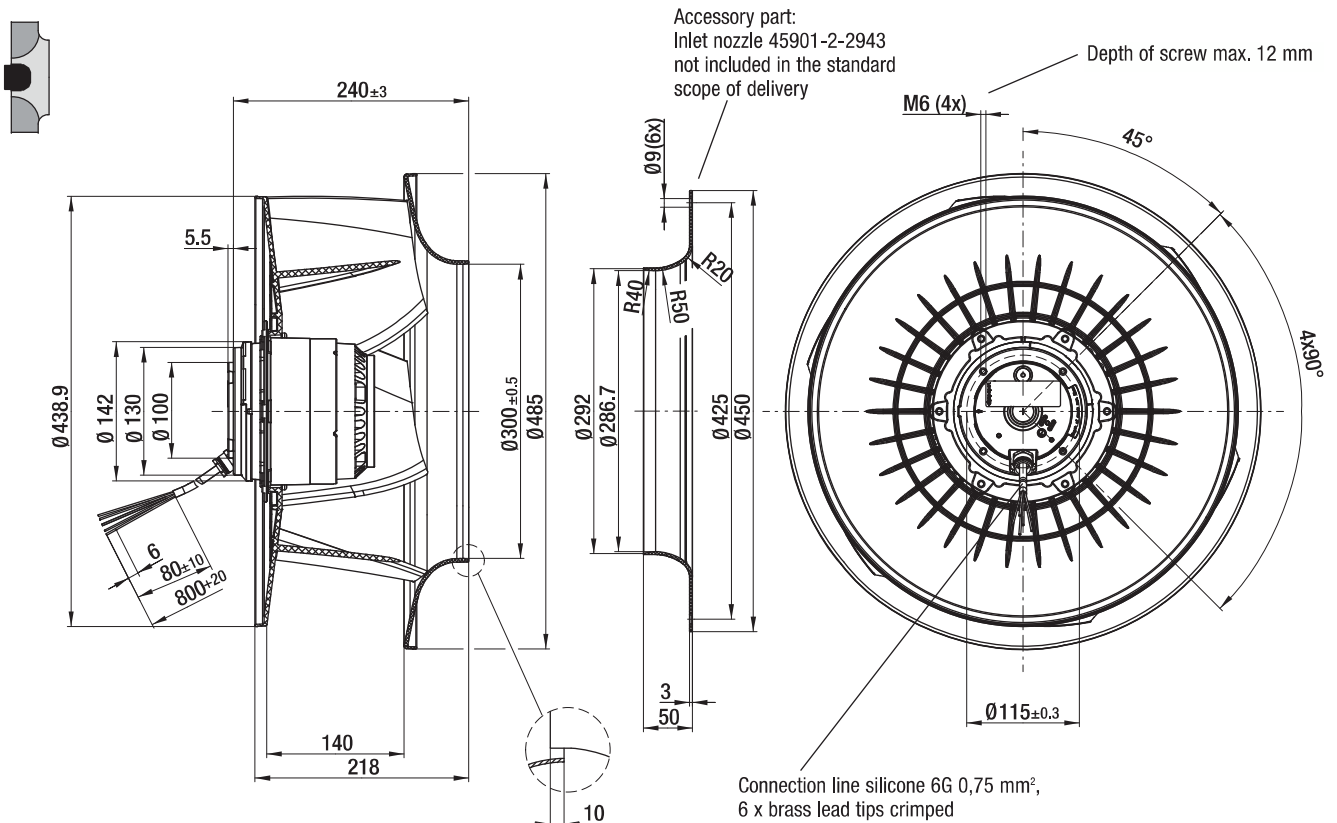


www.wentylatory-online.pl

R6E 450-RG01-01 (Centrifugal fan)



R4E 450-RH01-01 (Centrifugal fan)



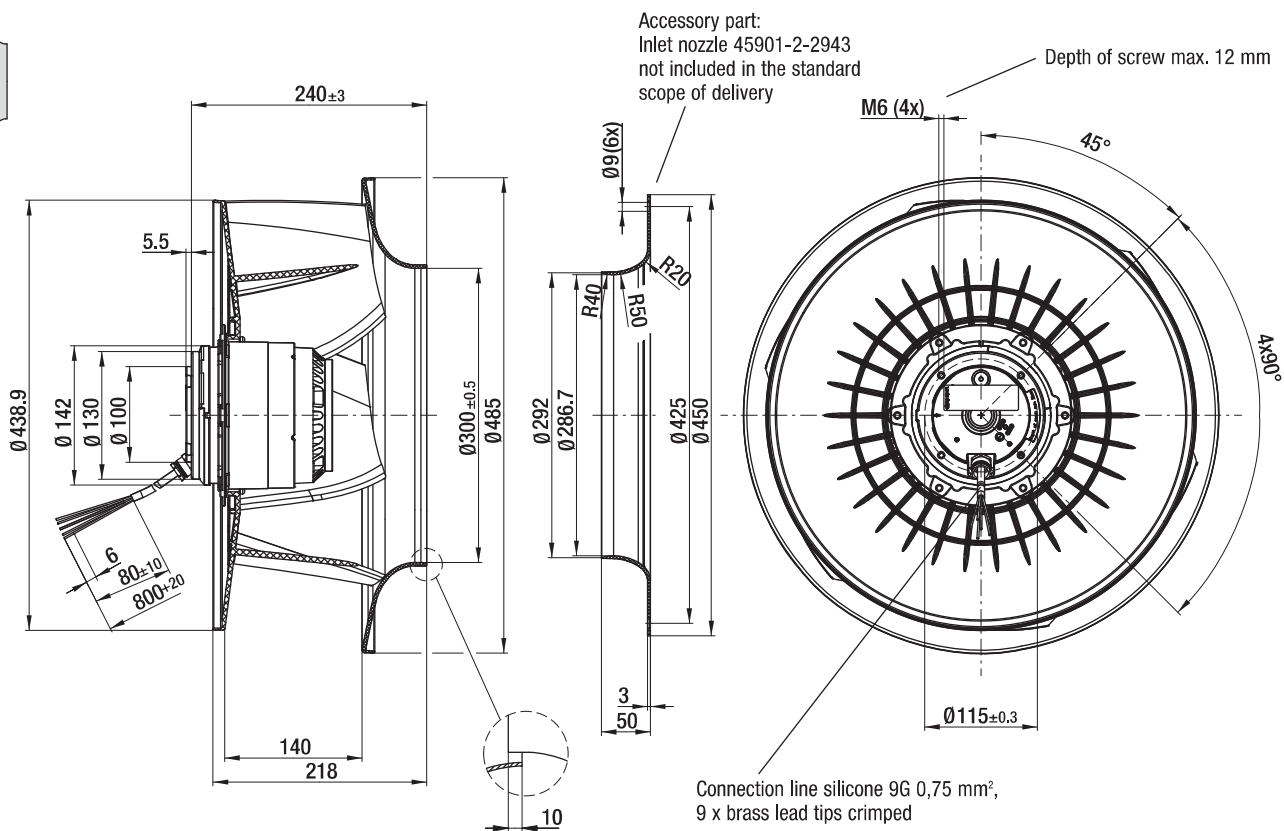
AC centrifugal fans – RadiCal

backward curved, Ø 450



www.wentylatory-online.pl

R4D 450-RH01-01 (Centrifugal fan)

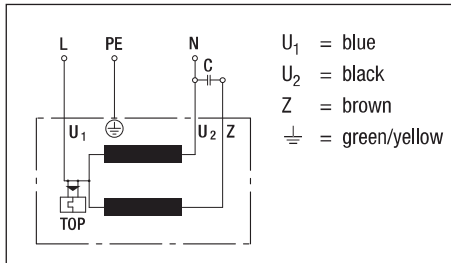


Electrical connections AC

A1) / A2a)

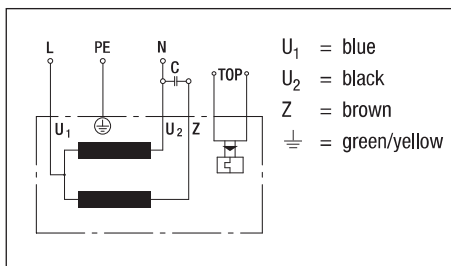
A1) Single-phase capacitor motor (1~ 230 VAC power line)

with TOP wired internally



A2a) Single-phase capacitor motor (1~ 230 VAC power line)

with connection for external TOP

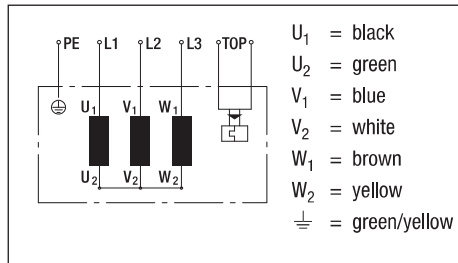


Electrical connections AC

D2) / F1a)

D2) Star connection (3~ 400 VAC power line)

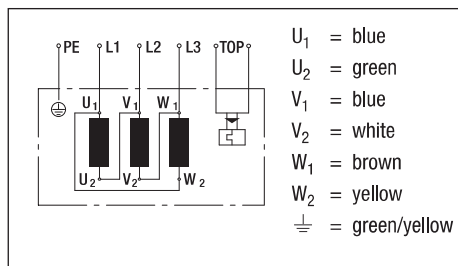
with TOP



Direction of rotation is reversed by swapping two line phases.

F1a) Delta connection (3~ 400 VAC power line)

with TOP



Direction of rotation is reversed by swapping two line phases