



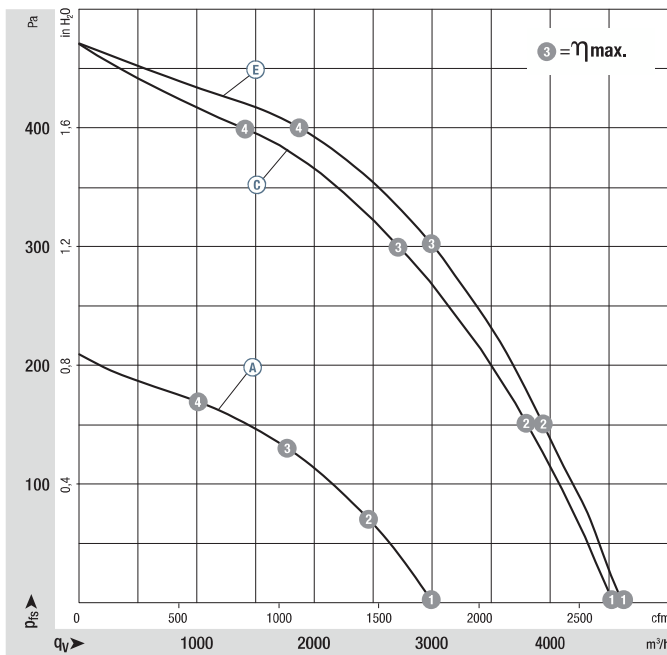
- **Material:** Impeller: Plastic PP
Rotor: Coated in black
- **Number of blades:** 6
- **Direction of rotation:** Clockwise, seen on rotor
- **Type of protection:** IP 54
- **Insulation class:** "F"
- **Mounting position:** Any
- **Condensate discharges:** None
- **Mode of operation:** Continuous operation (S1)
- **Bearings:** Maintenance-free ball bearings

Nominal data		Curve	Nominal voltage	Frequency	Speed/rpm ⁽¹⁾	Max. input power ⁽¹⁾	Max. current draw ⁽¹⁾	Capacitor	Perm. amb. temp.	Electrical connection
Type	Motor	VAC	Hz	rpm	W	A	µF/VDB	°C	p. 170 / 171	
*6E 400	M6E 094-FA	(A)	1~ 230	50	880	155	0,68	5,0 / 450	-40..+60	A2a)
		(B)	1~ 230	60	970	215	0,95	5,0 / 450	-40..+60	
*4E 400	M4E 094-HA	(C)	1~ 230	50	1340	470	2,33	9,0 / 400	-40..+60	A2a)
		(D)	1~ 230	60	1430	650	3,00	9,0 / 400	-40..+45	
*4D 400	M4D 094-HA	(E)	3~ 400	50	1400	515	1,19	---	-40..+60	F1a)
		(F)	3~ 400	60	1580	770	1,35	---	-40..+40	

subject to alterations

(1) Nominal data in operating point with maximum load and 230 or 400 VAC

Curves:
(50 Hz)



	n rpm	P _{ed} W	I A	L _{WA} dB(A)
(A) 1	915	130	0,58	69
(A) 2	895	145	0,64	62
(A) 3	880	155	0,68	55
(A) 4	895	145	0,63	55
(C) 1	1395	370	1,95	---
(C) 2	1360	435	2,20	---
(C) 3	1340	470	2,33	---
(C) 4	1380	400	2,05	---
(E) 1	1430	405	1,10	81
(E) 2	1410	480	1,15	75
(E) 3	1400	515	1,19	67
(E) 4	1410	475	1,15	67

Air performance measured as per: ISO 5801, Installation category A, with ebm-papst inlet nozzle without protection against accidental contact. Suction-side noise levels: L_{WA} as per ISO 13347, L_{pA} measured at 1 m distance to fan axis. The acoustic values given are only valid under the measurement conditions listed and may vary depending on the installation situation. With any deviation to the standard setup, the specific values have to be checked and reviewed once installed or fitted! For detailed information see page 172 ff.

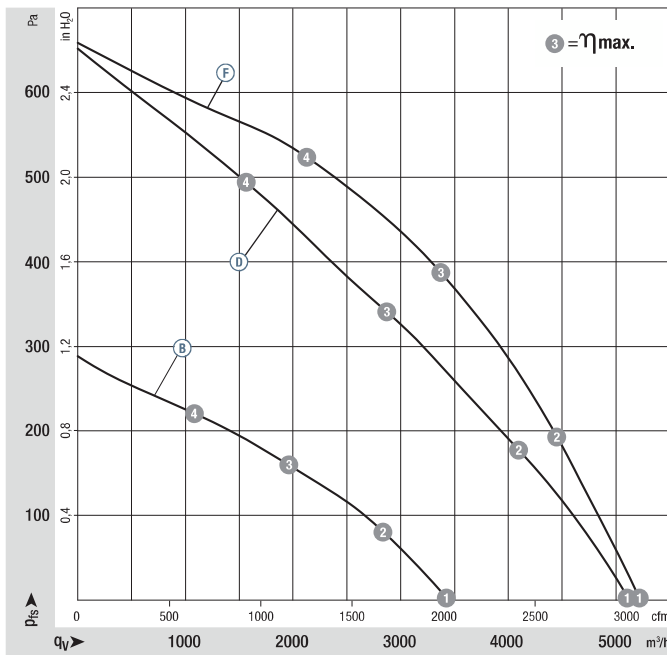
- **Motor protection:** Connection for external TOP
- **Touch current:** $\leq 3,5$ mA acc. to IEC 60990 (test circuit, illustration 4)
- **Cable exit:** Variable
- **Protection class:** I (if customer has provided connection for protective earth)
- **Product conforming to standards:** EN 60335-1, CE
- **Approvals:** Ⓐ Ⓑ Ⓒ Ⓓ CCC



Mass of centrifugal fan

Centrifugal fan	kg
R6E 400-RN06 -01	7,40
R4E 400-R009 -01	8,50
R4D 400-R022 -01	8,80

Curves:
(60 Hz)



	n rpm	P _{ed} W	I A	L _{WA} dB(A)
Ⓑ ①	1055	195	0,85	70
Ⓑ ②	1005	210	0,91	64
Ⓑ ③	970	215	0,95	57
Ⓑ ④	1020	205	0,90	59
Ⓓ ①	1585	525	2,35	---
Ⓓ ②	1470	625	2,90	---
Ⓓ ③	1430	650	3,00	---
Ⓓ ④	1535	575	2,60	---
Ⓕ ①	1645	600	1,10	85
Ⓕ ②	1605	715	1,25	79
Ⓕ ③	1580	770	1,35	72
Ⓕ ④	1605	700	1,25	73

Air performance measured as per: ISO 5801, Installation category A, with ebm-papst inlet nozzle without protection against accidental contact. Suction-side noise levels: L_{WA} as per ISO 13347, L_{pA} measured at 1 m distance to fan axis. The acoustic values given are only valid under the measurement conditions listed and may vary depending on the installation situation. With any deviation to the standard setup, the specific values have to be checked and reviewed once installed or fitted! For detailed information see page 172 ff.

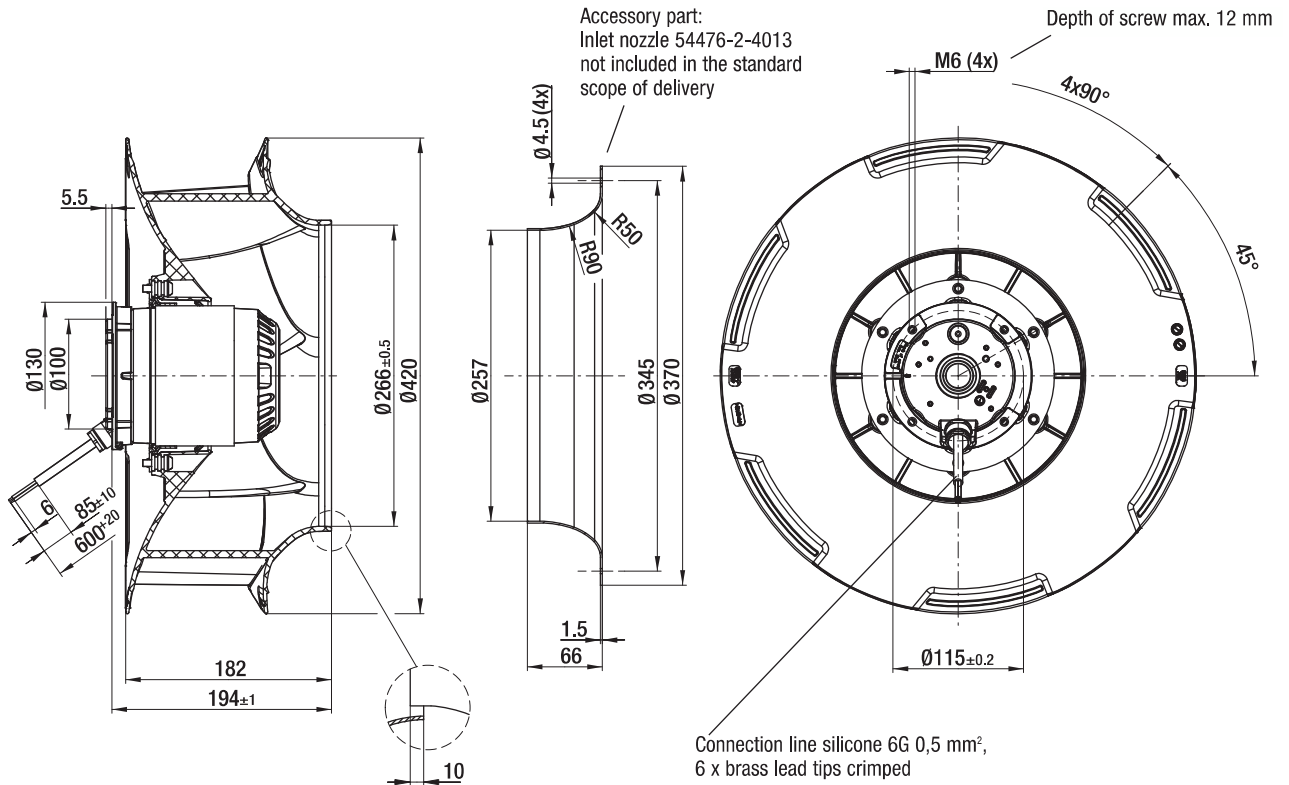
AC centrifugal fans – RadiCal

backward curved, Ø 400

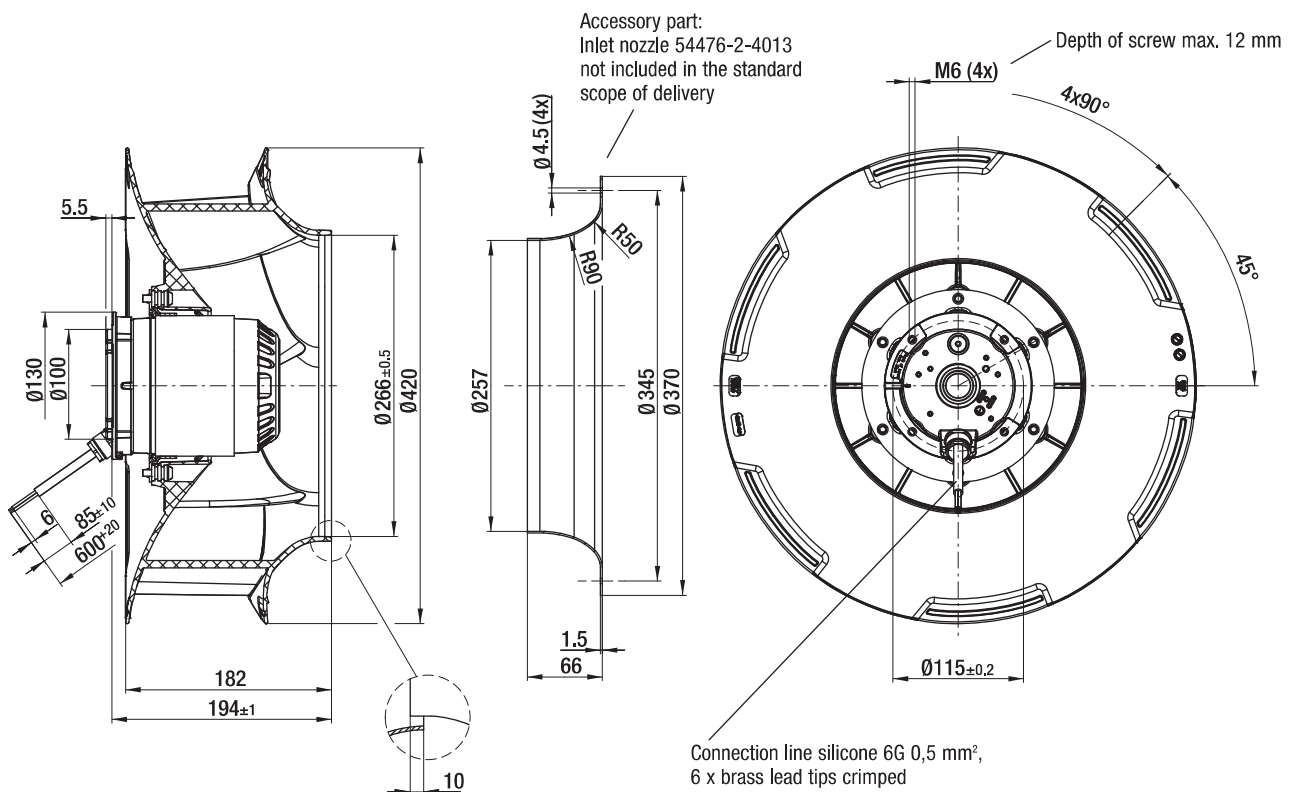


www.wentylatory-online.pl

R6E 400-RN06-01 (Centrifugal fan)



R4E 400-R009-01 (Centrifugal fan)



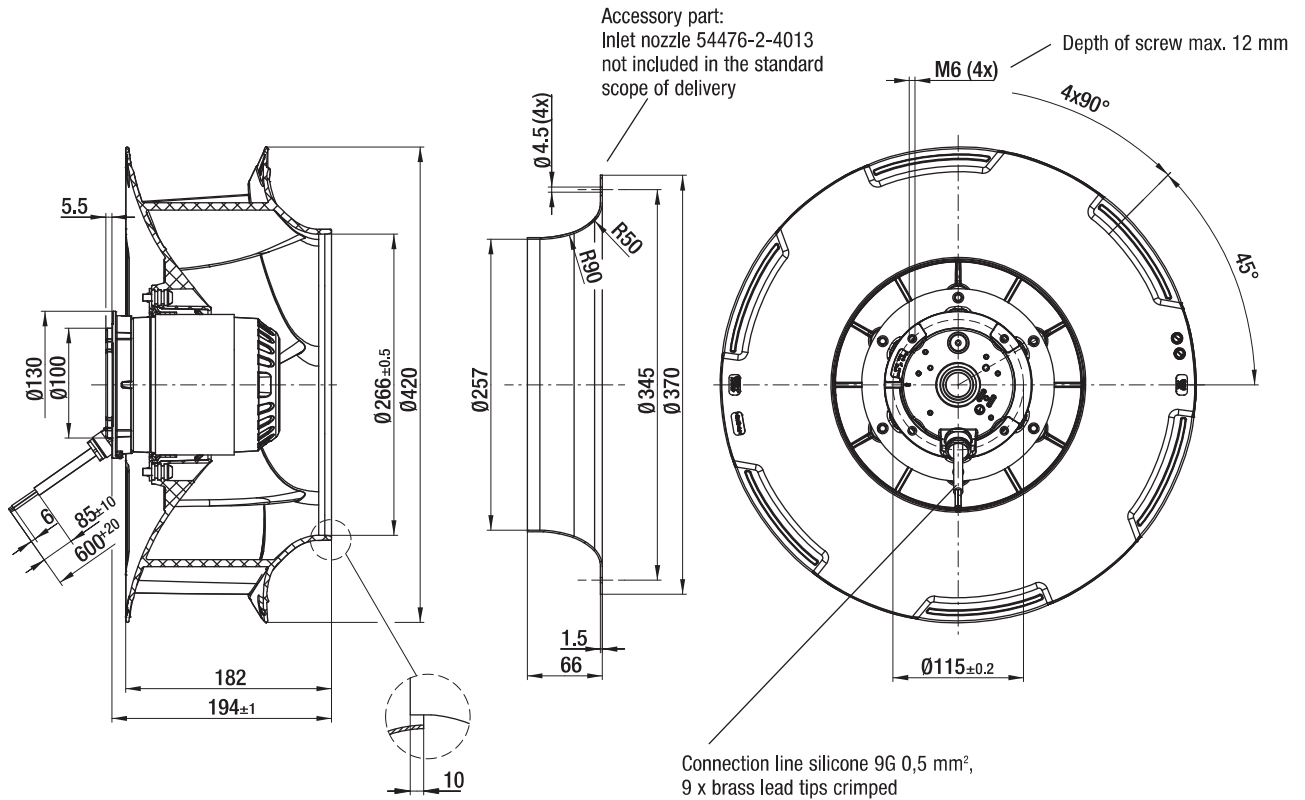
AC centrifugal fans – RadiCal

backward curved, Ø 400



www.wentylatory-online.pl

R4D 400-R022-01 (Centrifugal fan)

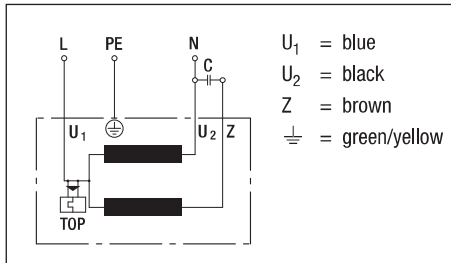


Electrical connections AC

A1) / A2a)

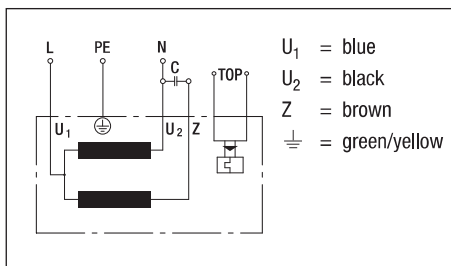
A1) Single-phase capacitor motor (1~ 230 VAC power line)

with TOP wired internally



A2a) Single-phase capacitor motor (1~ 230 VAC power line)

with connection for external TOP

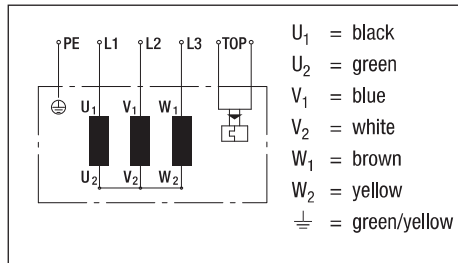


Electrical connections AC

D2) / F1a)

D2) Star connection (3~ 400 VAC power line)

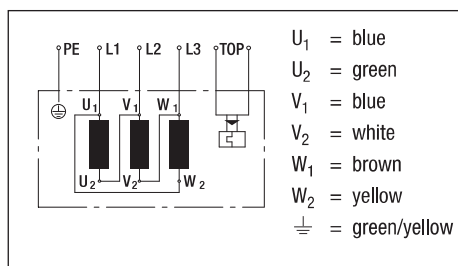
with TOP



Direction of rotation is reversed by swapping two line phases.

F1a) Delta connection (3~ 400 VAC power line)

with TOP



Direction of rotation is reversed by swapping two line phases