

AC centrifugal fans – RadiCal

backward curved, Ø 630

www.wentylatory-online.pl



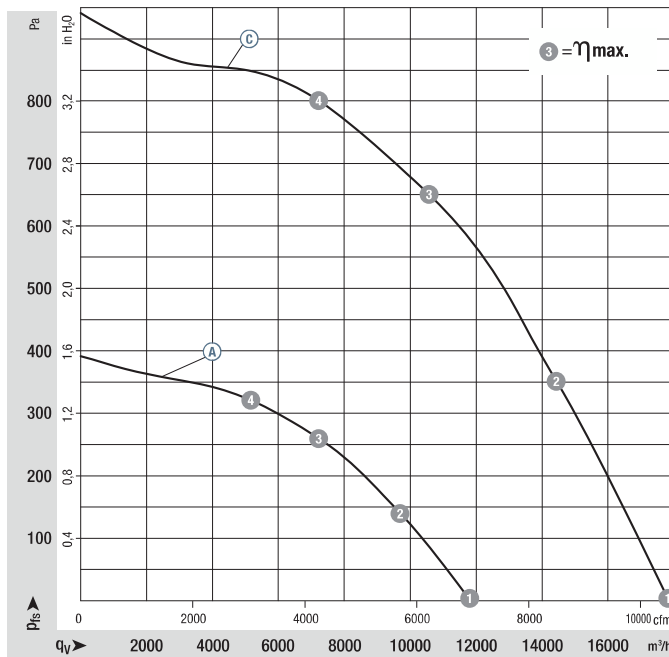
- **Material:** Impeller: Plastic PP
Rotor: Cast in aluminium
- **Number of blades:** 6
- **Direction of rotation:** Clockwise, seen on rotor
- **Type of protection:** (A) (B) IP 54, (C) IP 20
- **Insulation class:** "F"
- **Mounting position:** Any
- **Condensate discharges:** (A) (B) Rotor- and stator-side, (C) Rotor-side
- **Mode of operation:** Continuous operation (S1)
- **Bearings:** Maintenance-free ball bearings

Nominal data		Curve	Nominal voltage	Frequency	Speed/rpm ⁽¹⁾	Max. input power ⁽¹⁾	Max. current draw ⁽¹⁾	Capacitor	Perm. amb. temp.	Electrical connection
Type	Motor	VAC	Hz	rpm	W	A	µF/VDB	°C	p. 171	
*6D 630	M6D 138-HF	(A)	3~ 400	50	880	1030	2,20	---	-40..+60	D2)
		(B)	3~ 400	60	940	1440	2,81	---	-40..+60	
*4D 630	M4D 138-LA	(C)	3~ 400	50	1345	3570	6,63	---	-40..+40	D2)

subject to alterations

(1) Nominal data in operating point with maximum load and 400 VAC

Curves:
(50 Hz)



	n rpm	P _{ed} W	I A	L _{WA} dB(A)
(A) 1	925	735	1,85	79
(A) 2	895	935	2,10	73
(A) 3	880	1030	2,20	71
(A) 4	885	995	2,15	72
(C) 1	1400	2570	5,15	90
(C) 2	1360	3315	6,25	84
(C) 3	1345	3570	6,63	81
(C) 4	1350	3395	6,35	83

Air performance measured as per: ISO 5801, Installation category A, with ebmpapst inlet nozzle without protection against accidental contact. Suction-side noise levels: L_{WA} as per ISO 13347, L_{pA} measured at 1 m distance to fan axis. The acoustic values given are only valid under the measurement conditions listed and may vary depending on the installation situation. With any deviation to the standard setup, the specific values have to be checked and reviewed once installed or fitted! For detailed information see page 172 ff.

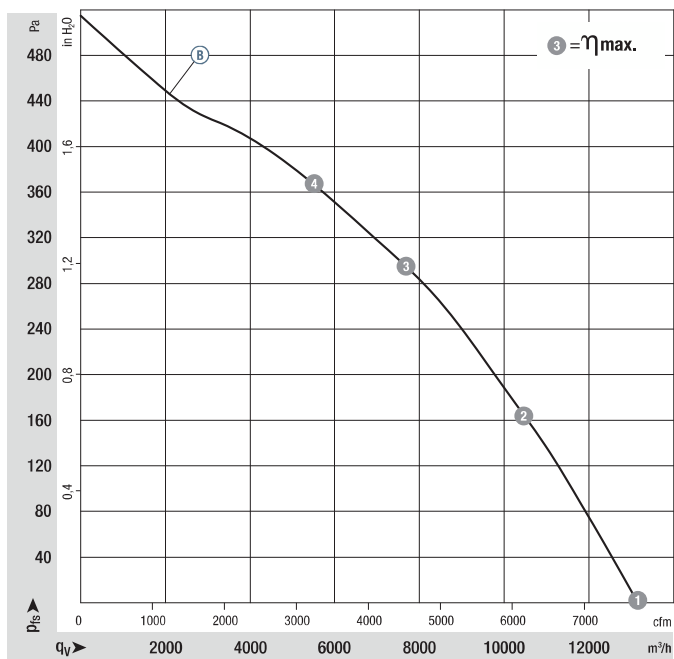
- **Motor protection:** Connection for external TOP
- **Touch current:** $\leq 3,5$ mA acc. to IEC 60990 (test circuit, illustration 4)
- **Cable exit:** Lateral
- **Protection class:** I (if customer has provided connection for protective earth)
- **Product conforming to standards:** EN 60034, EN 61800-5-1, CE
- **Approvals:** VDE, GOST



Mass of centrifugal fan

Centrifugal fan	kg
R6D 630-RA07 -01	25,0
R4D 630-RB15 -01	28,0

Curves:
(60 Hz)



	n rpm	P _{ed} W	I A	L _{WA} dB(A)
ⓑ ①	1030	1090	2,20	83
ⓑ ②	970	1340	2,65	75
ⓑ ③	940	1440	2,81	72
ⓑ ④	945	1410	2,75	73

Air performance measured as per: ISO 5801, Installation category A, with ebm-papst inlet nozzle without protection against accidental contact. Suction-side noise levels: L_{WA} as per ISO 13347, L_{pA} measured at 1 m distance to fan axis. The acoustic values given are only valid under the measurement conditions listed and may vary depending on the installation situation. With any deviation to the standard setup, the specific values have to be checked and reviewed once installed or fitted! For detailed information see page 172 ff.

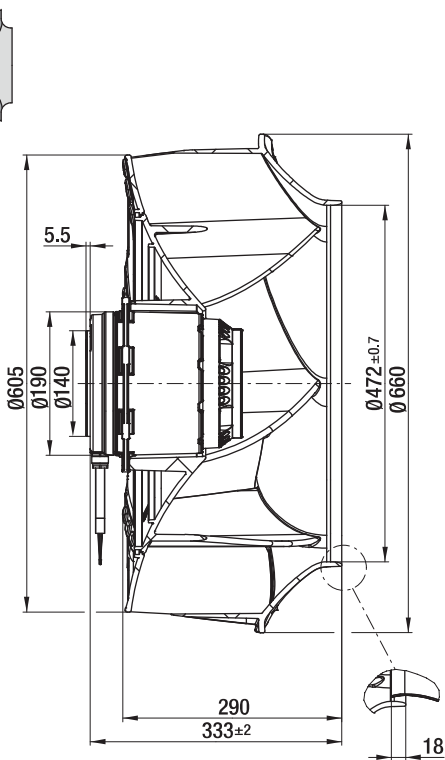
AC centrifugal fans – RadiCal

backward curved, Ø 630



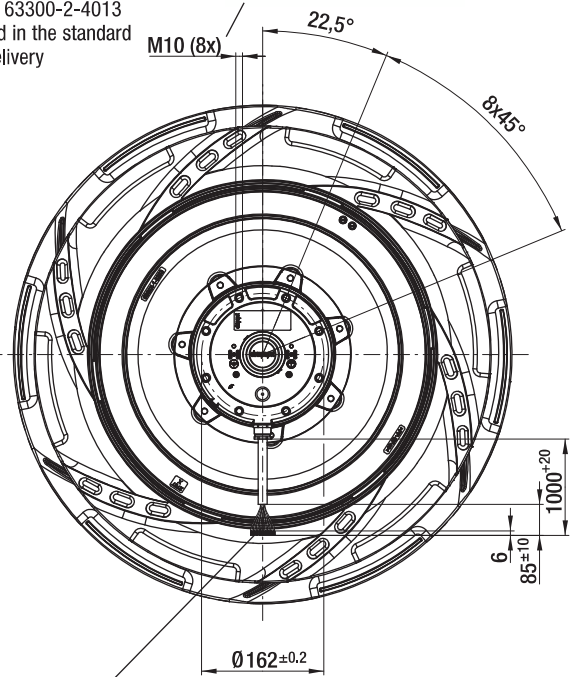
www.wentylatory-online.pl

R6D 630-RA07-01 (Centrifugal fan)



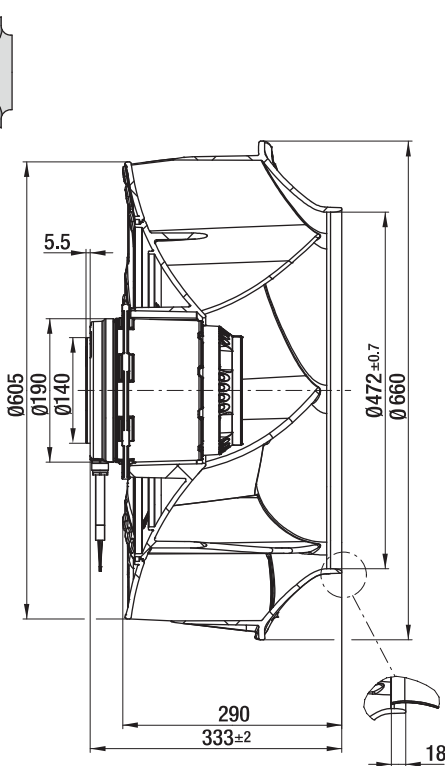
Accessory part:
Inlet nozzle 63300-2-4013
not included in the standard
scope of delivery

Depth of screw max. 18 mm



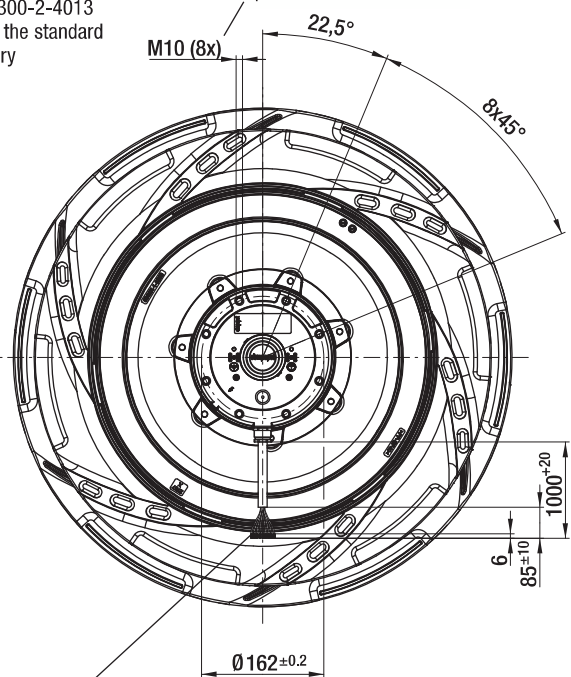
Connection line halogen-free 9 x 0,75 mm²,
9 x brass lead tips crimped

R4D 630-RB15-01 (Centrifugal fan)



Accessory part:
Inlet nozzle 63300-2-4013
not included in the standard
scope of delivery

Depth of screw max. 18 mm



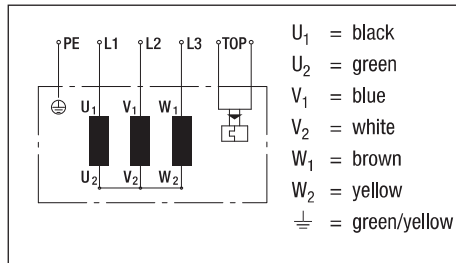
Connection line halogen-free 9 x 0,75 mm²,
9 x brass lead tips crimped

Electrical connections AC

D2) / F1a)

D2) Star connection (3~ 400 VAC power line)

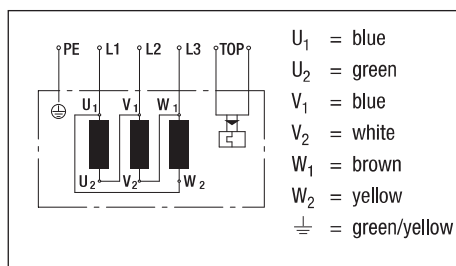
with TOP



Direction of rotation is reversed by swapping two line phases.

F1a) Delta connection (3~ 400 VAC power line)

with TOP



Direction of rotation is reversed by swapping two line phases