

AC centrifugal fans

backward curved, 3-D, Ø 500



- **Material:** Impeller: Sheet aluminium, welded
Rotor: Cast in aluminium
- **Number of blades:** 9
- **Direction of rotation:** Clockwise, seen on rotor
- **Type of protection:** IP 54 (in accordance with EN 60529)
- **Insulation class:** "F"
- **Mounting position:** Shaft horizontal or rotor on bottom; rotor on top on request
- **Condensate discharge holes:** Rotor-side
- **Mode of operation:** Continuous operation (S1)
- **Bearings:** Maintenance-free ball bearings

Nominal data

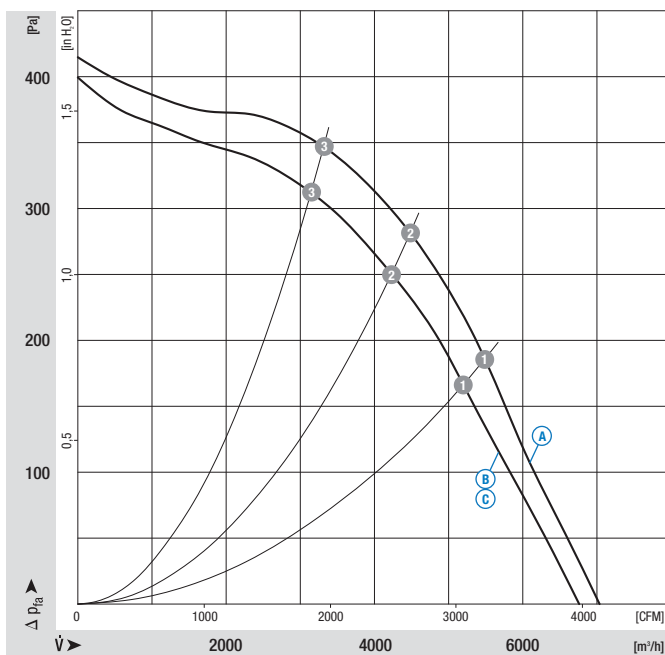
Type	Motor	Curve	Nominal voltage VAC	Frequency Hz	Speed ⁽¹⁾ rpm	Max. power input ⁽¹⁾ kW	Max. current draw ⁽¹⁾ A	Capacitor µF/VDB	Perm. amp. temp. °C	Electr. connection p. 127
R6D 500 ⁽²⁾	M6D 110-GF	A	3~ 480 Y	60	1065	0.78	1.27	—	-40 to +45	D1)/D2)
		B	3~ 400 Y	60	1000	0.70	1.28	—	-40 to +45	
		C	3~ 230 Δ	60	1000	0.70	2.21	—	-40 to +45	

subject to alterations

⁽¹⁾ Nominal data in operating point with maximum load

⁽²⁾ 230 VAC Δ / 400 VAC Y / 480 VAC Y

Curves

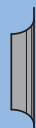


	n [rpm]	P ₁ [kW]	I [A]	L _{wa} [dB(A)]
A 1	1070	0.73	1.23	73
A 2	1065	0.78	1.27	71
A 3	1080	0.72	1.21	71
B 1	1020	0.66	1.22	71
B 2	1000	0.70	1.28	69
B 3	1020	0.66	1.21	70
C 1	1020	0.66	2.11	71
C 2	1000	0.70	2.21	69
C 3	1020	0.66	2.10	70

- **Motor protection:** Design with thermal overload protector
- **Cable exit:** Lateral
- **Protection class:** I (in accordance with EN 61800-5-1)
- **Product conforming to standard:** CE
- **Approvals:** UL, VDE (in accordance with EN 60034)



Mass of centrifugal fan



Centrifugal fan

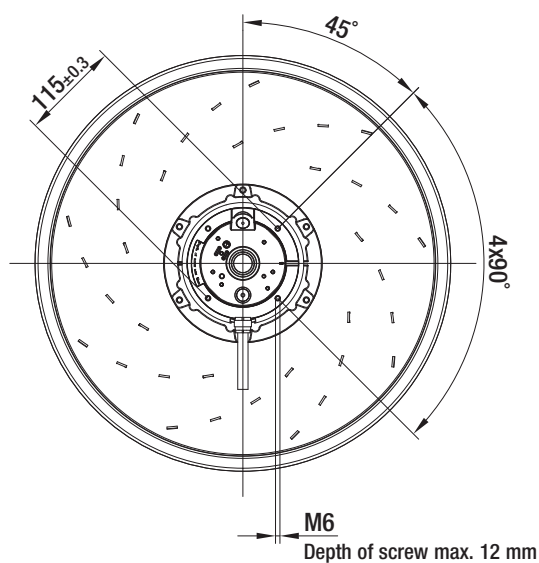
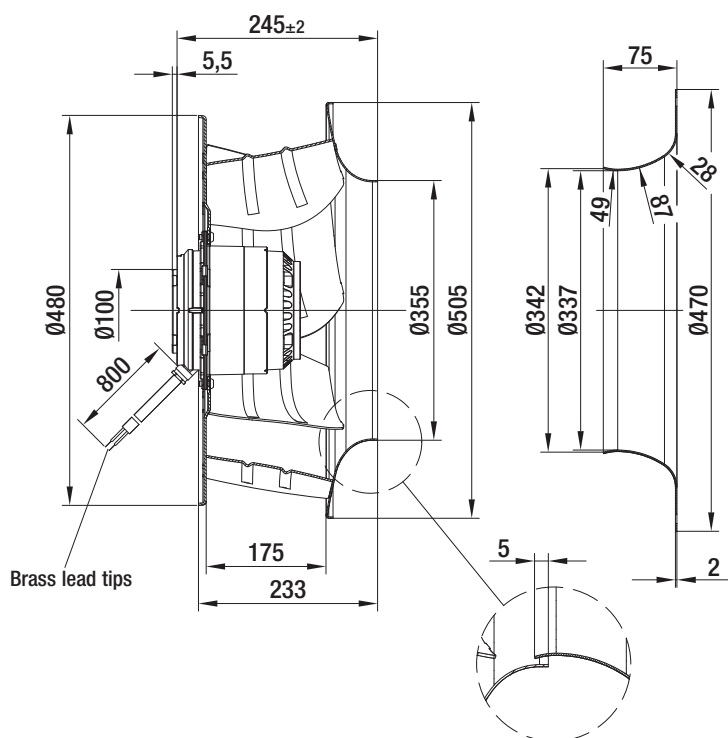
kg

Inlet nozzle (long)

R6D 500-AK03 -01

13.0

63072-2-4013



Mounting dimensions

