

AC centrifugal fans

backward curved, 3-D, Ø 450

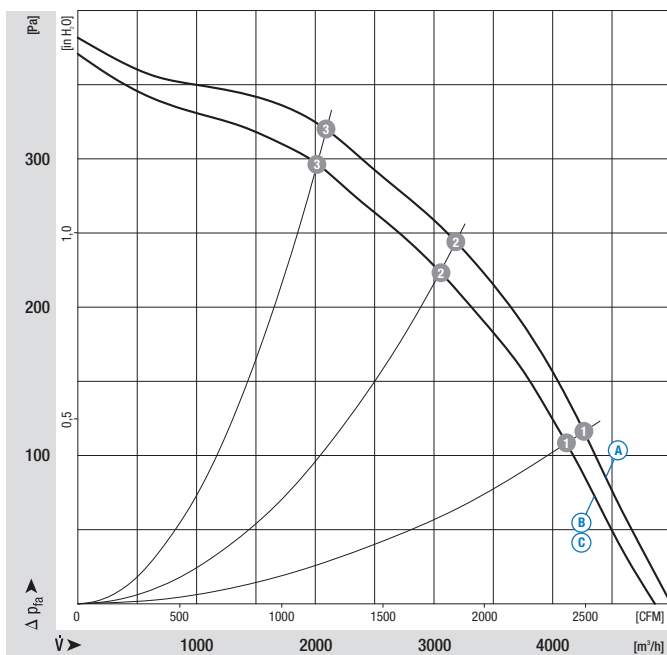


- **Material:** Impeller: Sheet aluminium, welded
Rotor: Cast in aluminium
- **Number of blades:** 6
- **Direction of rotation:** Clockwise, seen on rotor
- **Type of protection:** IP 54 (in accordance with EN 60529)
- **Insulation class:** "F"
- **Mounting position:** Shaft horizontal or rotor on bottom; rotor on top on request
- **Condensate discharge holes:** Rotor-side
- **Mode of operation:** Continuous operation (S1)
- **Bearings:** Maintenance-free ball bearings

Nominal data		Curve	Nominal voltage	Frequency	Speed ⁽¹⁾	Max. power input ⁽¹⁾	Max. current draw ⁽¹⁾	Capacitor	Perm. amp. temp.	Electr. connection
Type	Motor	VAC	Hz	rpm	kW	A	µF/VDB	°C	p. 127	
R6D 450 ⁽²⁾	M6D 110-EF	A 3~ 480 Y	60	1110	0.44	0.81	—	-40 to +70	D1)/D2)	
		B 3~ 400 Y	60	1060	0.40	0.77	—	-40 to +70		
		C 3~ 230 Δ	60	1060	0.40	1.33	—	-40 to +70		

subject to alterations (1) Nominal data in operating point with maximum load (2) 230 VAC Δ / 400 VAC Y / 480 VAC Y

Curves

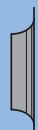


	n [rpm]	P ₁ [kW]	I [A]	L _{wa} [dB(A)]
A 1	1110	0.40	0.79	70
A 2	1110	0.44	0.81	66
A 3	1110	0.42	0.80	69
B 1	1070	0.37	0.73	69
B 2	1060	0.40	0.77	65
B 3	1060	0.38	0.74	68
C 1	1070	0.37	1.26	69
C 2	1060	0.40	1.33	65
C 3	1060	0.38	1.28	68

- **Motor protection:** Design with thermal overload protector
- **Cable exit:** Diagonal
- **Protection class:** I (in accordance with EN 61800-5-1)
- **Product conforming to standard:** CE
- **Approvals:** UL, VDE (in accordance with EN 60034)



Mass of centrifugal fan



Centrifugal fan

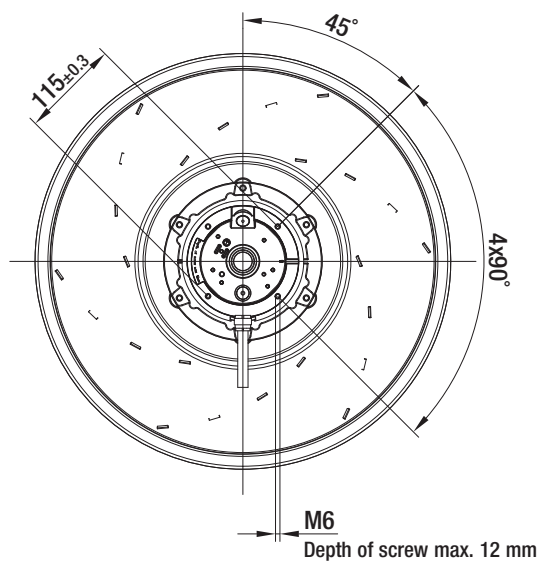
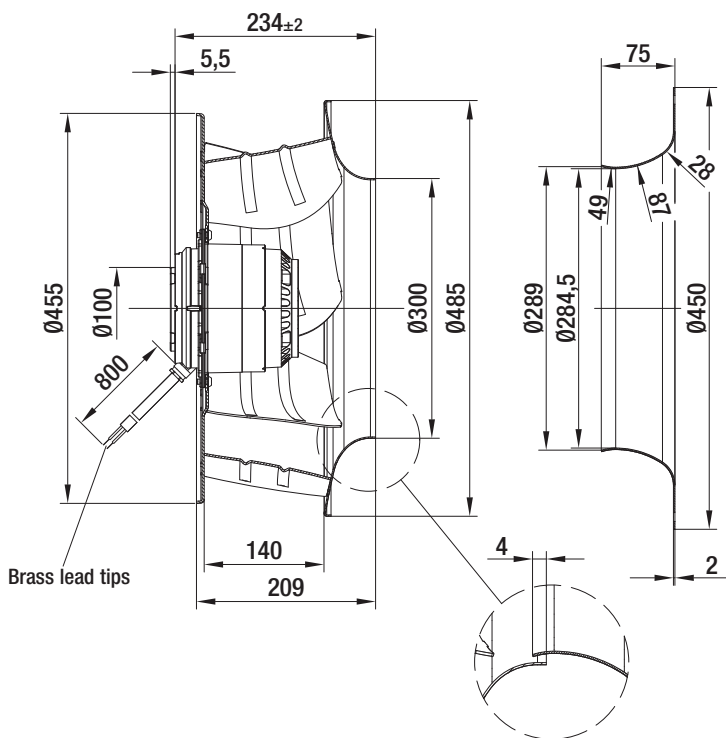
kg

Inlet nozzle (long)

R6D 450-AN01 -01

10.0

63045-2-4013



Mounting dimensions

