



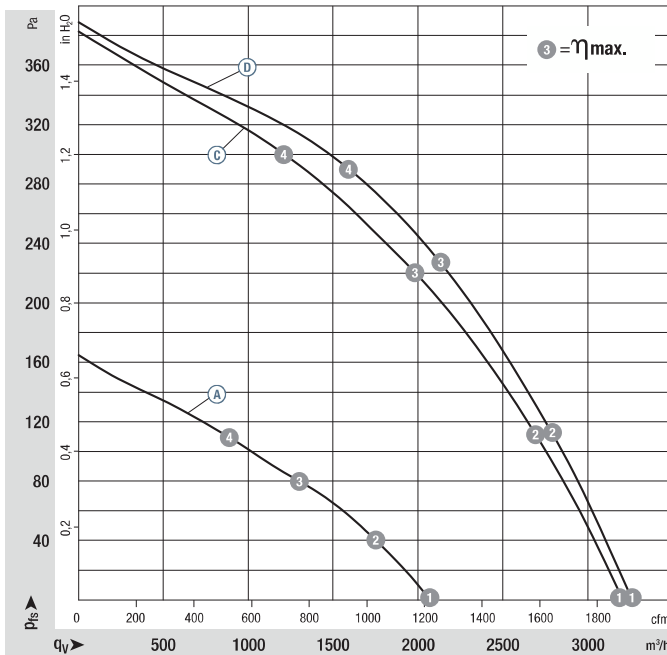
- **Material:** Impeller: Plastic PP
Rotor: Coated in black
- **Number of blades:** 6
- **Direction of rotation:** Clockwise, seen on rotor
- **Type of protection:** IP 44, depending on installation and position in acc. to EN 60034-5
- **Insulation class:** "F"
- **Mounting position:** Shaft horizontal or rotor on bottom, rotor on top on request
- **Condensate discharges:** Rotor-side
- **Mode of operation:** Continuous operation (S1)
- **Bearings:** Maintenance-free ball bearings

Nominal data		Curve	Nominal voltage	Frequency	Speed/rpm ⁽¹⁾	Max. input power ⁽¹⁾	Max. current draw ⁽¹⁾	Capacitor	Perm. amb. temp.	Electrical connection
Type	Motor	VAC	Hz	rpm	W	A	µF/VDB	°C	p. 170 / 171	
*6E 355	M6E 074-DF	Ⓐ	1~ 230	50	830	85	0,37	2,0 / 400	-25..+60	A1)
		Ⓑ	1~ 230	60	775	105	0,46	2,0 / 400	-25..+50	
*4E 355	M4E 074-GA	Ⓒ	1~ 230	50	1330	270	1,18	6,0 / 400	-25..+60	A1)
*4D 355	M4D 074-GA	Ⓓ	3~ 400	50	1390	270	0,72	---	-25..+60	D2)
		Ⓔ	3~ 400	60	1550	400	0,78	---	-25..+40	

subject to alterations

(1) Nominal data in operating point with maximum load and 230 or 400 VAC

Curves:
(50 Hz)



	n rpm	P _{ed} W	I A	L _{WA} dB(A)
Ⓐ ①	905	70	0,32	60
Ⓐ ②	870	80	0,35	55
Ⓐ ③	830	85	0,37	48
Ⓐ ④	845	85	0,36	48
Ⓒ ①	1405	200	0,89	72
Ⓒ ②	1375	230	1,00	66
Ⓒ ③	1330	270	1,18	61
Ⓒ ④	1360	245	1,05	63
Ⓓ ①	1425	205	0,67	72
Ⓓ ②	1405	240	0,69	67
Ⓓ ③	1390	270	0,72	62
Ⓓ ④	1395	265	0,70	62

Air performance measured as per: ISO 5801, Installation category A, with ebm-papst inlet nozzle without protection against accidental contact. Suction-side noise levels: L_{WA} as per ISO 13347, L_{pA} measured at 1 m distance to fan axis. The acoustic values given are only valid under the measurement conditions listed and may vary depending on the installation situation. With any deviation to the standard setup, the specific values have to be checked and reviewed once installed or fitted! For detailed information see page 172 ff.

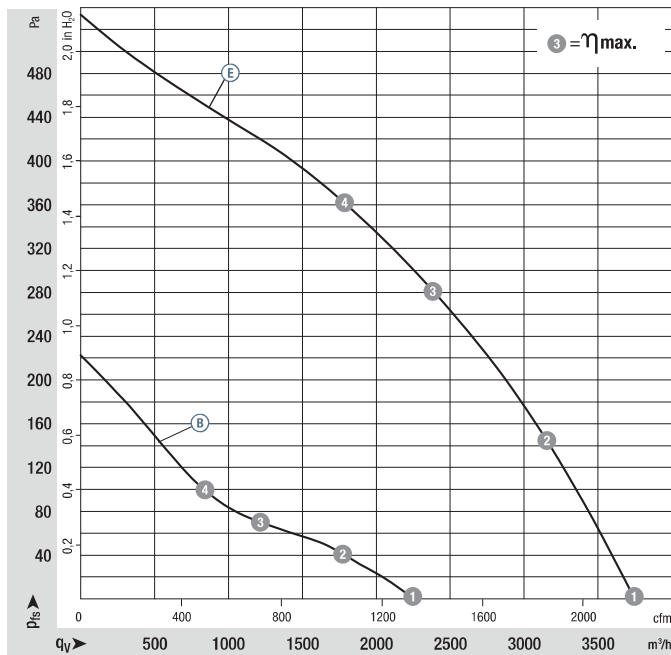
- **Motor protection:** Ⓐ Ⓑ Ⓒ TOP wired internally; Ⓓ Ⓔ Connection for external TOP
- **Touch current:** < 0,75 mA acc. to IEC 60990 (test circuit, illustration 4)
- **Cable exit:** Variable
- **Protection class:** I (if customer has provided connection for protective earth)
- **Product conforming to standards:** EN 60335-1, CE
- **Approvals:** VDE, cURus on request



Mass of centrifugal fan

Centrifugal fan	kg
R6E 355-RB20 -01	4,20
R4E 355-RB10 -01	5,60
R4D 355-RB10 -01	5,60

Curves:
(60 Hz)



	n rpm	P _{ed} W	I A	L _{WA} dB(A)
Ⓑ ①	985	96	0,44	62
Ⓑ ②	875	100	0,44	55
Ⓑ ③	775	105	0,46	48
Ⓑ ④	805	105	0,45	48
Ⓔ ①	1635	295	0,64	75
Ⓔ ②	1590	355	0,72	70
Ⓔ ③	1550	400	0,78	66
Ⓔ ④	1555	390	0,76	65

Air performance measured as per: ISO 5801, Installation category A, with ebm-papst inlet nozzle without protection against accidental contact. Suction-side noise levels: L_{WA} as per ISO 13347, L_{pA} measured at 1 m distance to fan axis. The acoustic values given are only valid under the measurement conditions listed and may vary depending on the installation situation. With any deviation to the standard setup, the specific values have to be checked and reviewed once installed or fitted! For detailed information see page 172 ff.

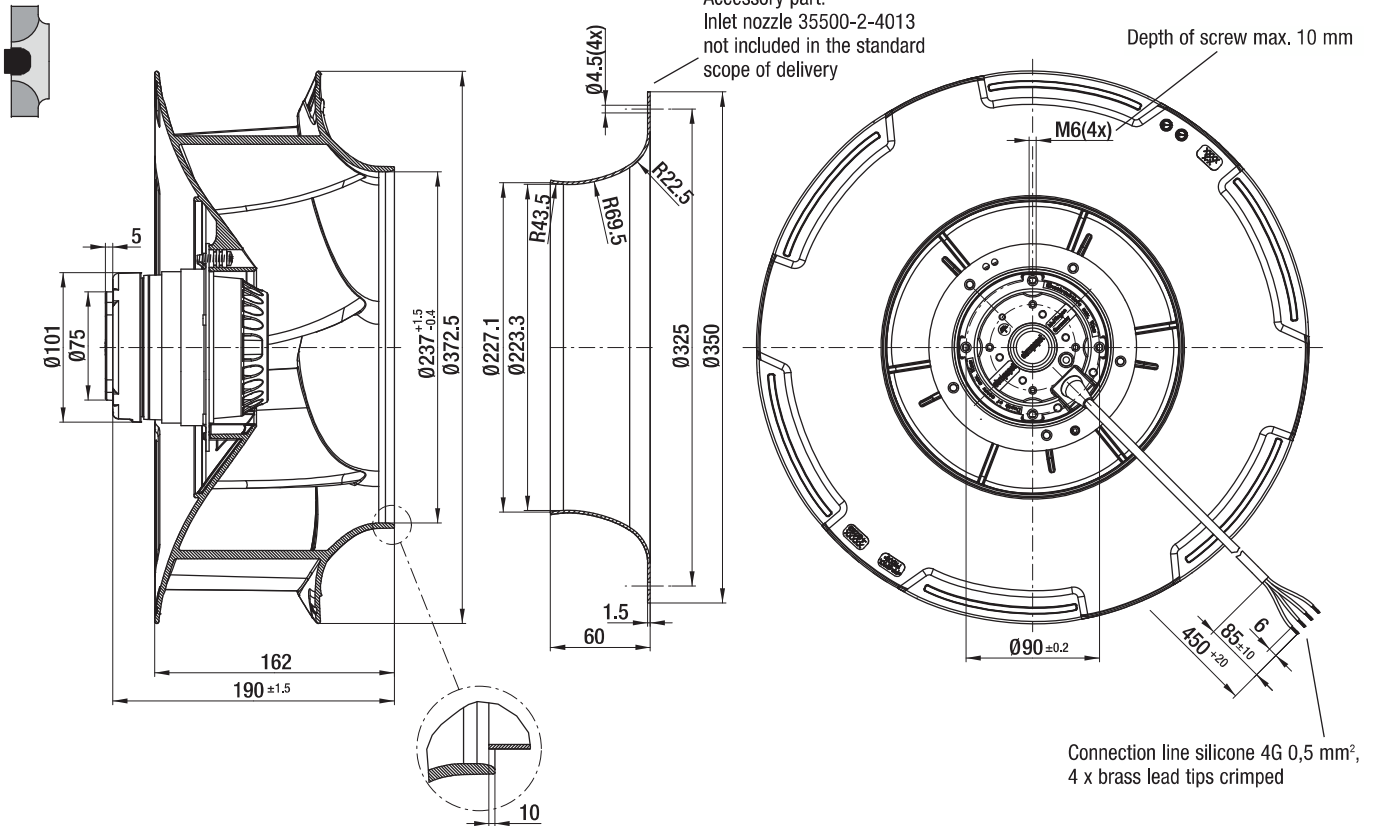
AC centrifugal fans – RadiCal

backward curved, Ø 355

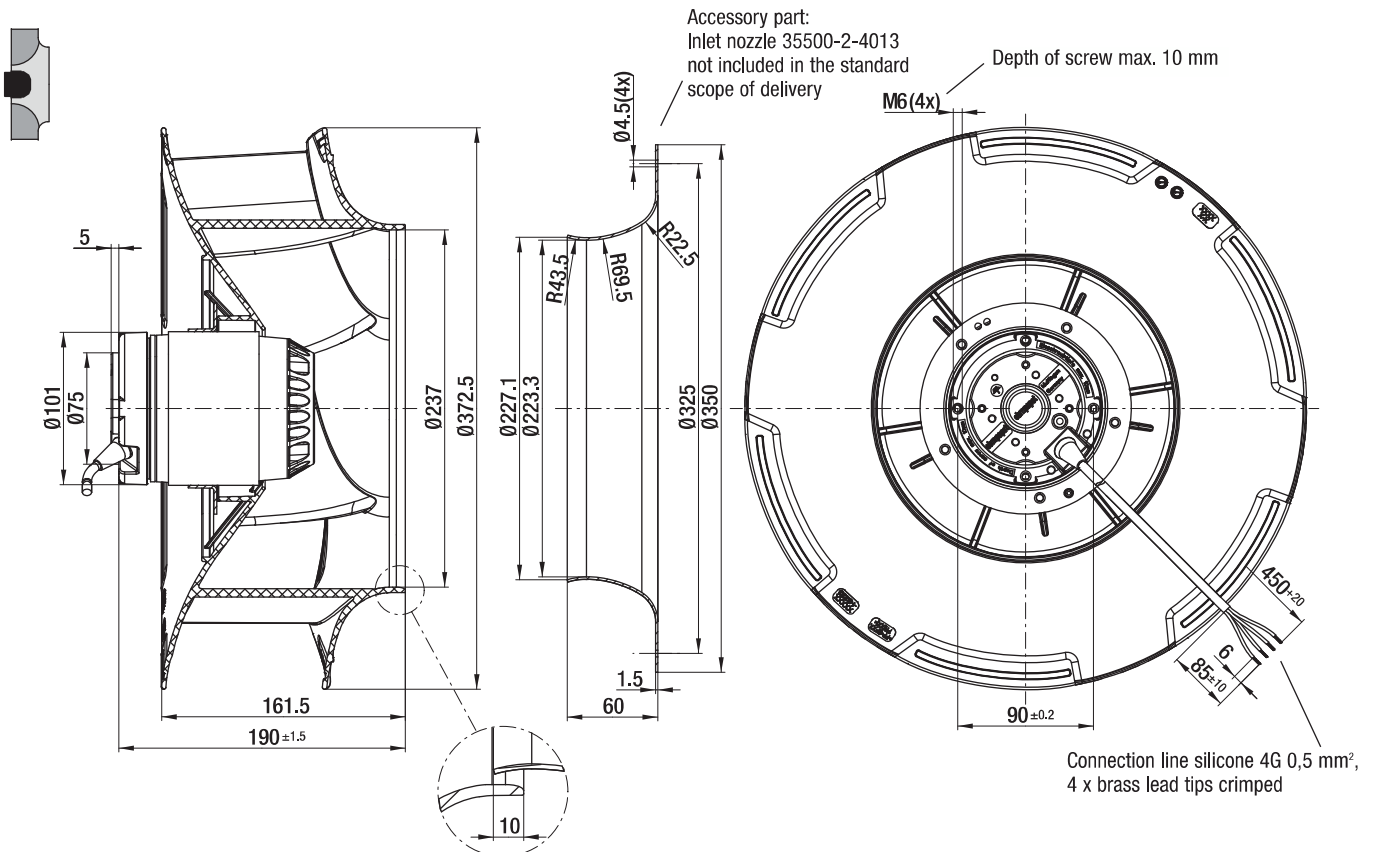


www.wentylatory-online.pl

R6E 355-RB20-01 (Centrifugal fan)



R4E 355-RB10-01 (Centrifugal fan)



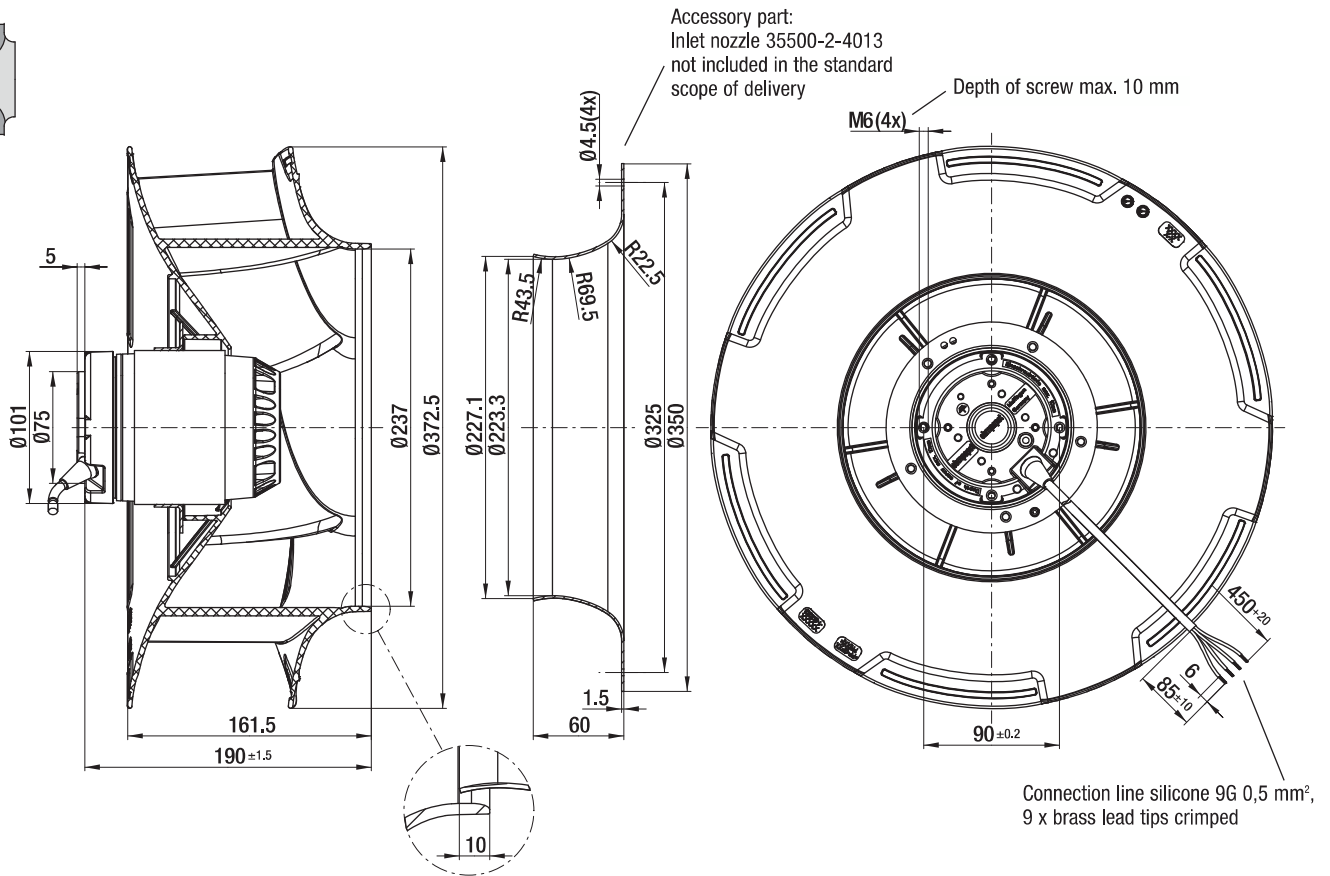
AC centrifugal fans – RadiCal

backward curved, \varnothing 355



www.wentylatory-online.pl

R4D 355-RB10-01 (Centrifugal fan)

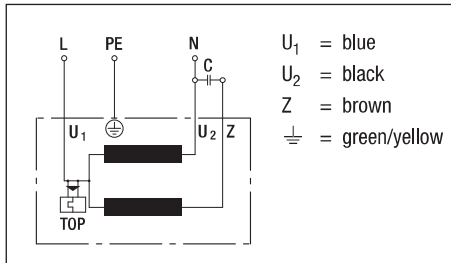


Electrical connections AC

A1) / A2a)

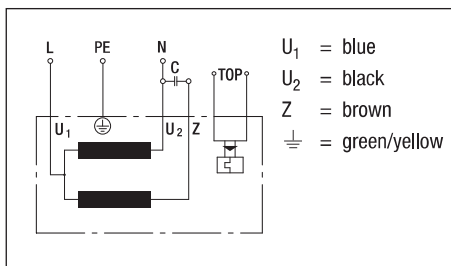
A1) Single-phase capacitor motor (1~ 230 VAC power line)

with TOP wired internally



A2a) Single-phase capacitor motor (1~ 230 VAC power line)

with connection for external TOP

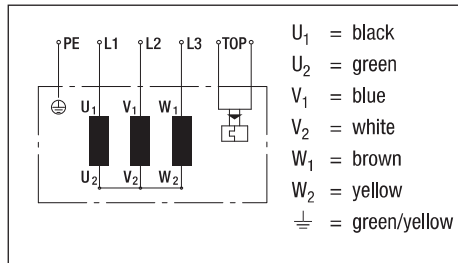


Electrical connections AC

D2) / F1a)

D2) Star connection (3~ 400 VAC power line)

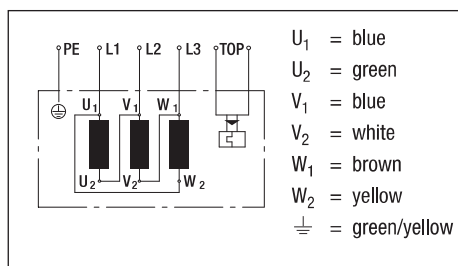
with TOP



Direction of rotation is reversed by swapping two line phases.

F1a) Delta connection (3~ 400 VAC power line)

with TOP



Direction of rotation is reversed by swapping two line phases