

R4E310-AR06-01

# AC centrifugal fan

backward curved, single inlet



**ebm-papst Mulfingen GmbH & Co. KG**

Bachmühle 2

D-74673 Mulfingen

Phone +49 7938 81-0

Fax +49 7938 81-110

info1@de.ebmpapst.com

www.ebmpapst.com

## Nominal data

Type	R4E310-AR06-01		
Motor	M4E068-EC		
Phase		1~	1~
Nominal voltage	VAC	230	230
Frequency	Hz	50	60
Type of data definition		rfa	rfa
Valid for approval / standard		CE	CE
Speed	min <sup>-1</sup>	1410	1650
Power input	W	95	125
Current draw	A	0.46	0.56
Motor capacitor	µF	4	4
Capacitor voltage	VDB	400	400
Capacitor standard		P2 (CE)	P2 (CE)
Min. back pressure	Pa	0	0
Max. ambient temperature	°C	70	65

ml = max. load · me = max. efficiency · rfa = running at free air · cs = customer specs · cu = customer unit  
Subject to alterations

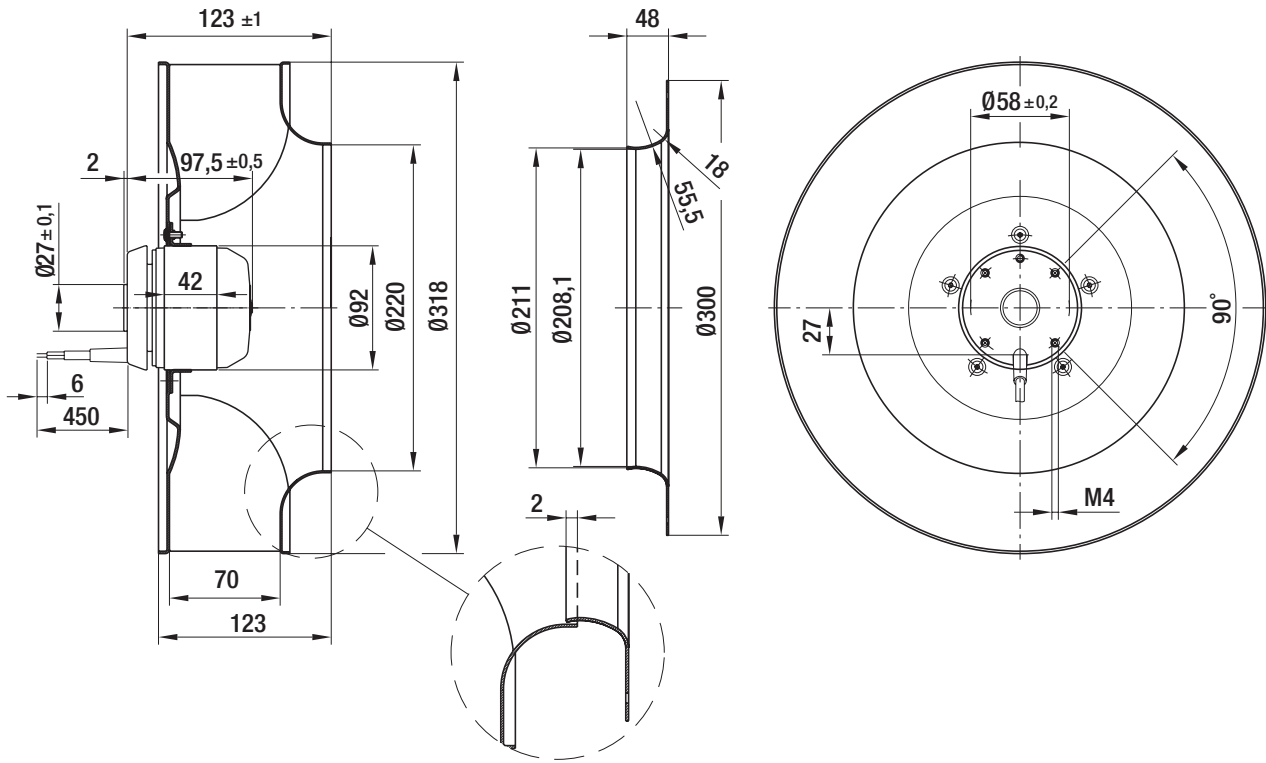
## Technical features

<b>Leakage current</b>	< 0.75 mA
<b>General description</b>	3D impeller
<b>Size</b>	310 mm
<b>Operation mode</b>	Continuous operation (S1)
<b>Direction of rotation</b>	Clockwise, seen on rotor
<b>Humidity class</b>	F1-2
<b>Insulation class</b>	"B"
<b>Cable exit</b>	Axial
<b>Motor bearing</b>	Ball bearing
<b>Mass</b>	3.3 kg
<b>Material of electronics housing</b>	Rotor: Coated in black
<b>Material of impeller</b>	Aluminum sheet, laser-welded
<b>Motor protection</b>	Thermal overload protector (TOP) wired internally
<b>Product conforming to standard</b>	CE
<b>Number of blades</b>	6
<b>Type of protection</b>	IP 44
<b>Protection class</b>	I
<b>Approval</b>	CCC

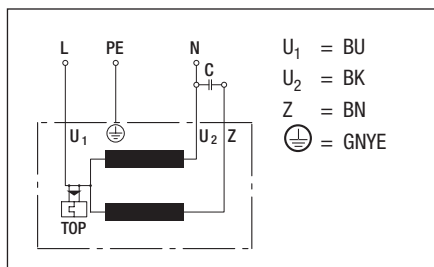
# AC centrifugal fan

backward curved, single inlet

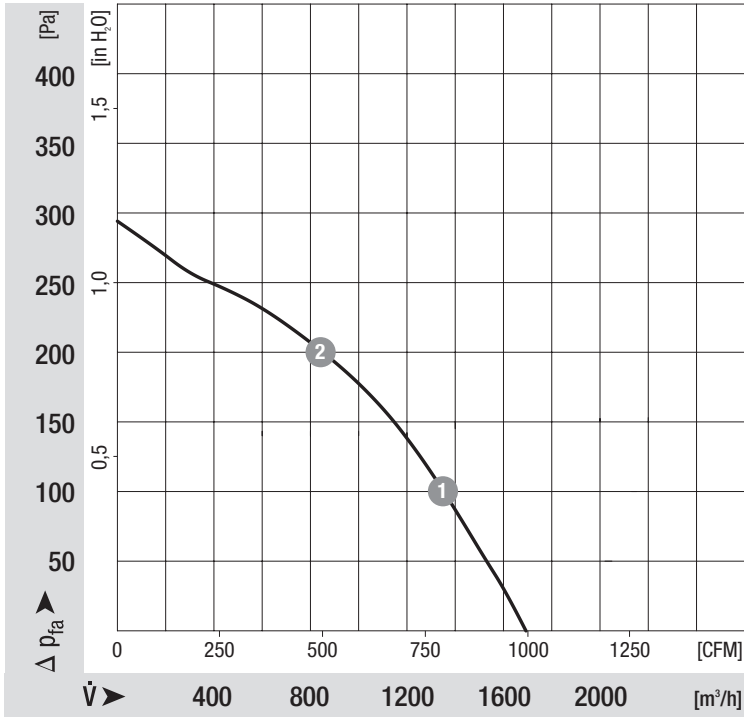
## Product drawing



## Connection screen



## Charts: Air flow 50 Hz



## Measured values

	n	P <sub>e</sub>	I
	min <sup>-1</sup>	W	A
1	1370	114	0.55
2	1360	118	0.57

## Charts: Air flow 60 Hz

