

# AC centrifugal fans – RadiCal

backward curved, Ø 280

www.wentylatory-online.pl



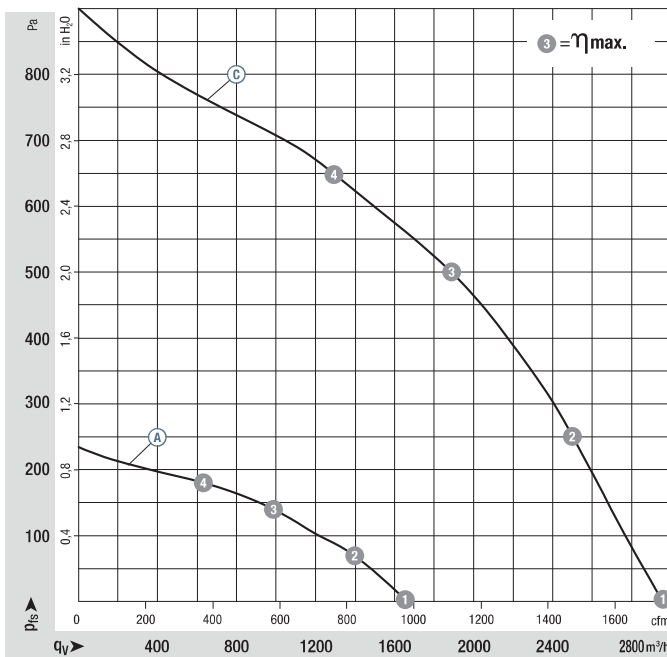
- **Material:** Impeller: Plastic PP  
Rotor: Coated in black
- **Number of blades:** 6
- **Direction of rotation:** Clockwise, seen on rotor
- **Type of protection:** IP 44, depending on installation and position in acc. to EN 60034-5
- **Insulation class:** Ⓐ Ⓑ "B"; Ⓒ "F"
- **Mounting position:** Shaft horizontal or rotor on bottom, rotor on top on request
- **Condensate discharges:** Rotor-side
- **Mode of operation:** Continuous operation (S1)
- **Bearings:** Maintenance-free ball bearings

Nominal data		Curve	Nominal voltage	Frequency	Speed/rpm <sup>(1)</sup>	Max. input power <sup>(1)</sup>	Max. current draw <sup>(1)</sup>	Capacitor	Perm. amb. temp.	Electrical connection
Type	Motor	VAC	Hz	rpm	W	A	µF/VDB	°C	p. 170 / 171	
*4E 280	M4E 068-DF	Ⓐ	1~ 230	50	1320	90	0,40	2,5 / 400	-25..+65	A1)
		Ⓑ	1~ 230	60	1400	125	0,55	2,5 / 400	-25..+55	
*2D 280	M2D 074-GA	Ⓒ	3~ 400	50	2500	570	0,91	---	-25..+50	D2)

subject to alterations

(1) Nominal data in operating point with maximum load and 230 or 400 VAC

Curves:  
(50 Hz)



	n rpm	P <sub>ed</sub> W	I A	L <sub>WA</sub> dB(A)
Ⓐ ①	1380	73	0,32	66
Ⓐ ②	1340	85	0,37	61
Ⓐ ③	1320	90	0,40	55
Ⓐ ④	1340	84	0,37	57
Ⓒ ①	2640	440	0,73	84
Ⓒ ②	2555	520	0,84	79
Ⓒ ③	2500	570	0,91	73
Ⓒ ④	2540	530	0,84	74

Air performance measured as per: ISO 5801, Installation category A, with ebm-papst inlet nozzle without protection against accidental contact. Suction-side noise levels: L<sub>WA</sub> as per ISO 13347, L<sub>pA</sub> measured at 1 m distance to fan axis. The acoustic values given are only valid under the measurement conditions listed and may vary depending on the installation situation. With any deviation to the standard setup, the specific values have to be checked and reviewed once installed or fitted! For detailed information see page 172 ff.

- **Motor protection:** Ⓐ Ⓑ TOP wired internally; Ⓒ Connection for external TOP
- **Touch current:** < 0,75 mA acc. to IEC 60990 (test circuit, illustration 4)
- **Cable exit:** Ⓐ Ⓑ Axial; Ⓒ Variable
- **Protection class:** I (if customer has provided connection for protective earth)
- **Product conforming to standards:** EN 60335-1, CE
- **Approvals:** R4E: CCC  
R2D: VDE, cURus on request

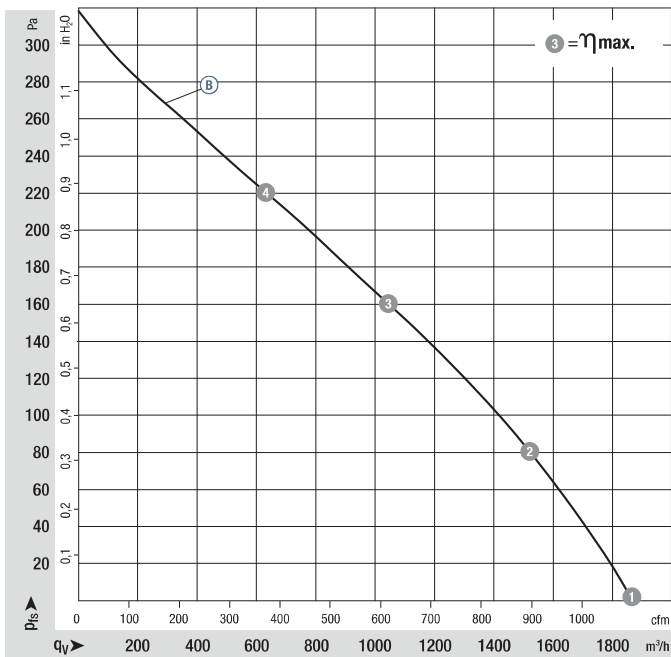


Mass of centrifugal fan

Centrifugal fan	kg
R4E 280-RA28 -05 <sup>(2)</sup>	2,50
R2D 280-RB06 -01 <sup>(3)</sup>	5,40

(2) ErP 2015 (3) ErP 2013

Curves:  
(60 Hz)



	n rpm	P <sub>ed</sub> W	I A	L <sub>WA</sub> dB(A)
Ⓑ ①	1550	105	0,45	68
Ⓑ ②	1450	120	0,50	62
Ⓑ ③	1400	125	0,55	57
Ⓑ ④	1470	115	0,50	60

Air performance measured as per: ISO 5801, Installation category A, with ebm-papst inlet nozzle without protection against accidental contact. Suction-side noise levels: L<sub>WA</sub> as per ISO 13347, L<sub>pA</sub> measured at 1 m distance to fan axis. The acoustic values given are only valid under the measurement conditions listed and may vary depending on the installation situation. With any deviation to the standard setup, the specific values have to be checked and reviewed once installed or fitted! For detailed information see page 172 ff.

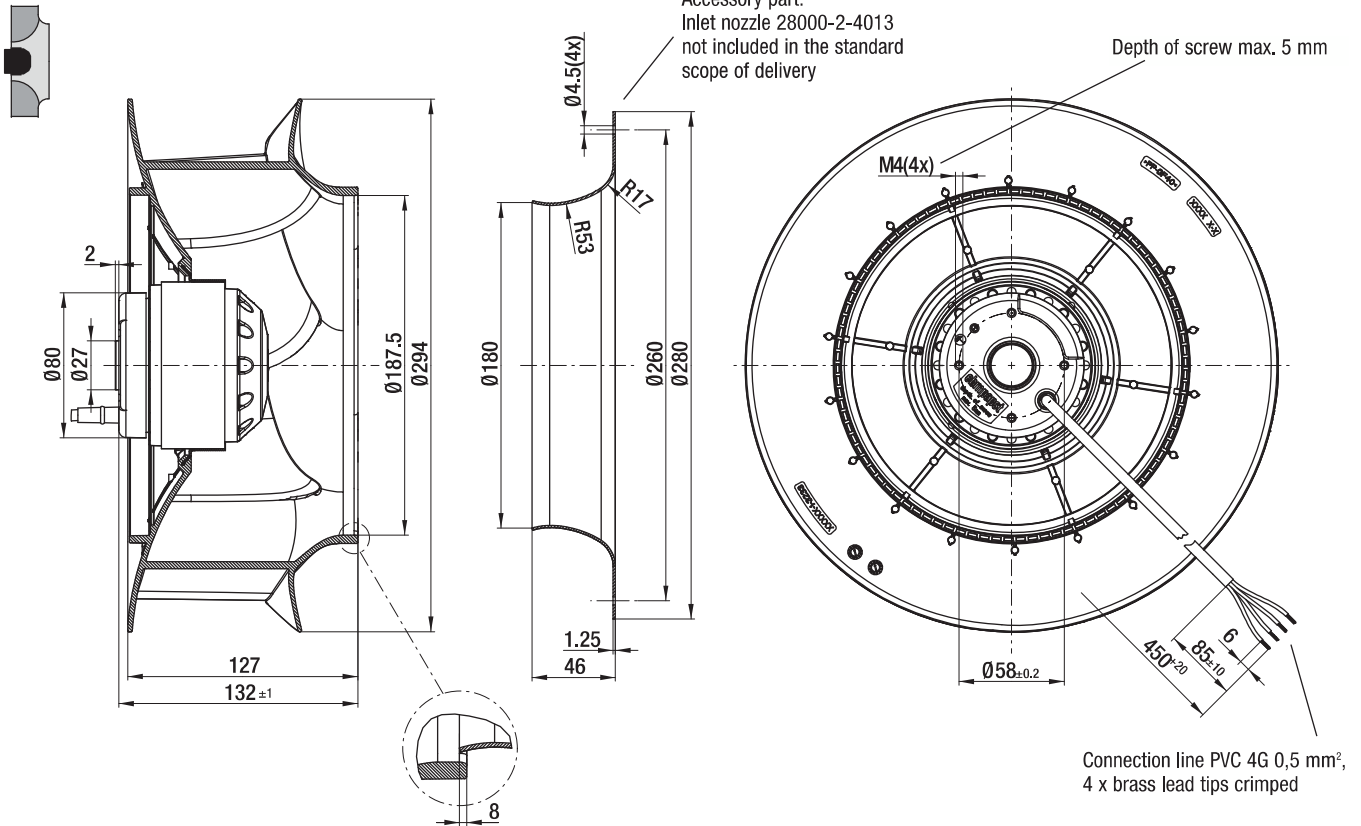
# AC centrifugal fans – RadiCal

backward curved, Ø 280

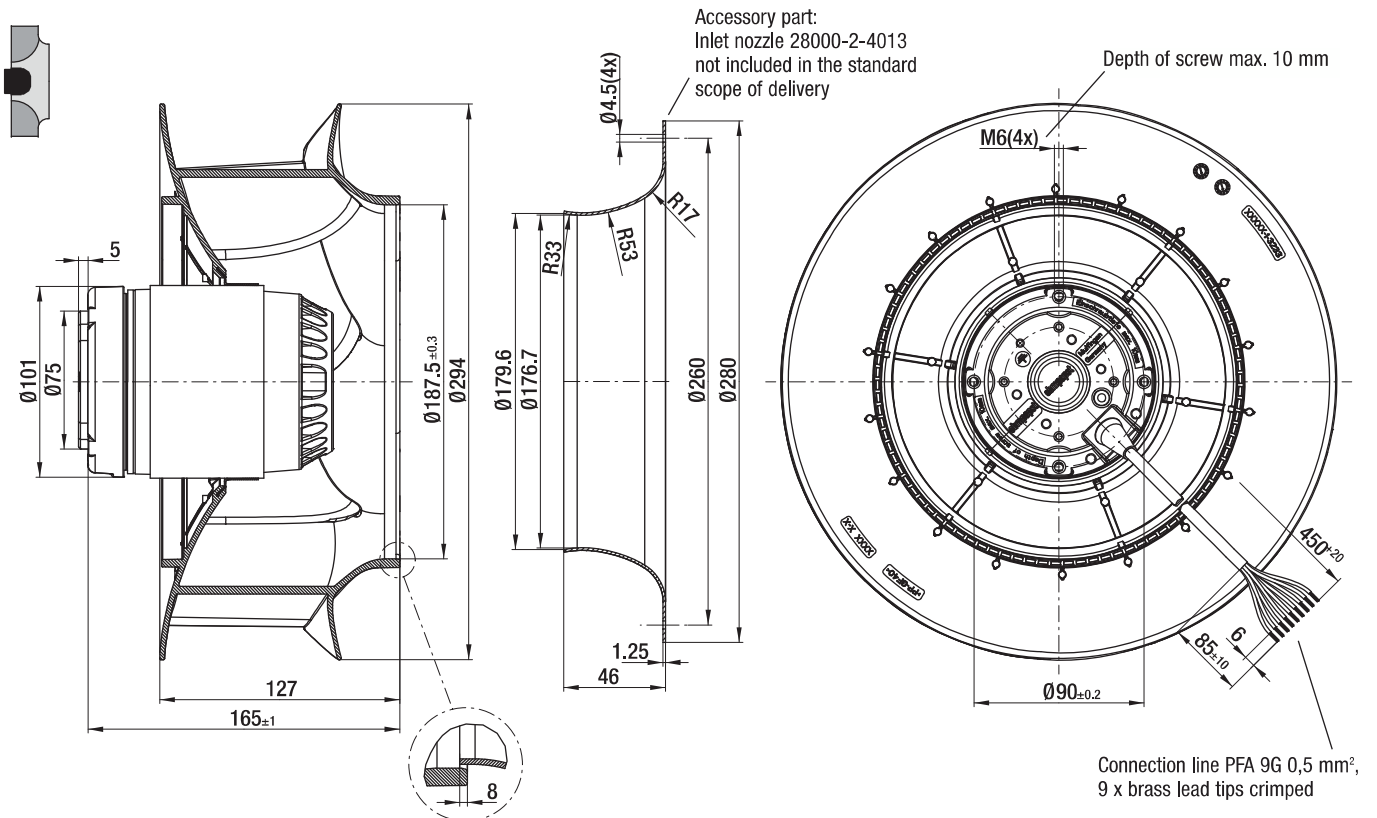


www.wentylatory-online.pl

## R4E 280-RA28-05 (Centrifugal fan)



## R2D 280-RB06-01 (Centrifugal fan)

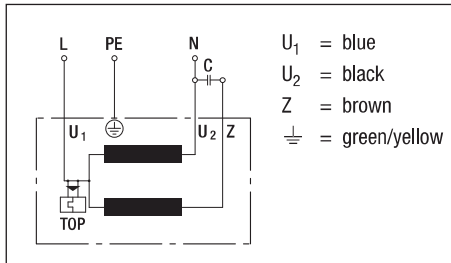


# Electrical connections AC

## A1) / A2a)

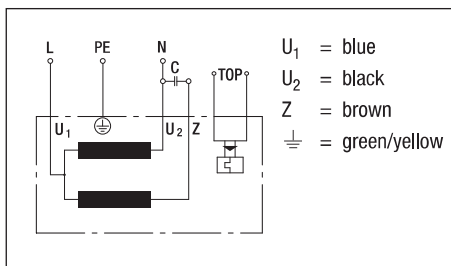
### A1) Single-phase capacitor motor (1~ 230 VAC power line)

with TOP wired internally



### A2a) Single-phase capacitor motor (1~ 230 VAC power line)

with connection for external TOP

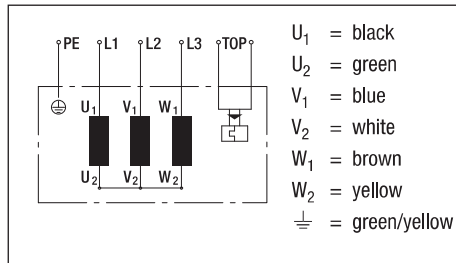


# Electrical connections AC

## D2) / F1a)

### D2) Star connection (3~ 400 VAC power line)

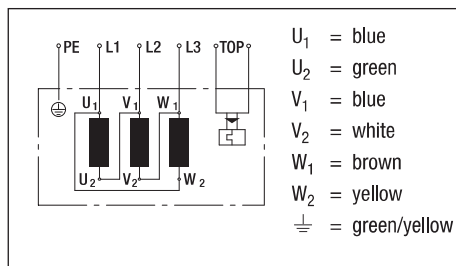
with TOP



**Direction of rotation** is reversed by swapping two line phases.

### F1a) Delta connection (3~ 400 VAC power line)

with TOP



**Direction of rotation** is reversed by swapping two line phases