

R4E180-AB01-05

AC centrifugal fan

forward curved, single inlet



ebm-papst Mulfingen GmbH & Co. KG

Bachmühle 2

74673 Mulfingen

Phone: +49 7938 81-0

Fax: +49 7938 81-110

www.ebmpapst.com

info1@de.ebmpapst.com

Nominal data

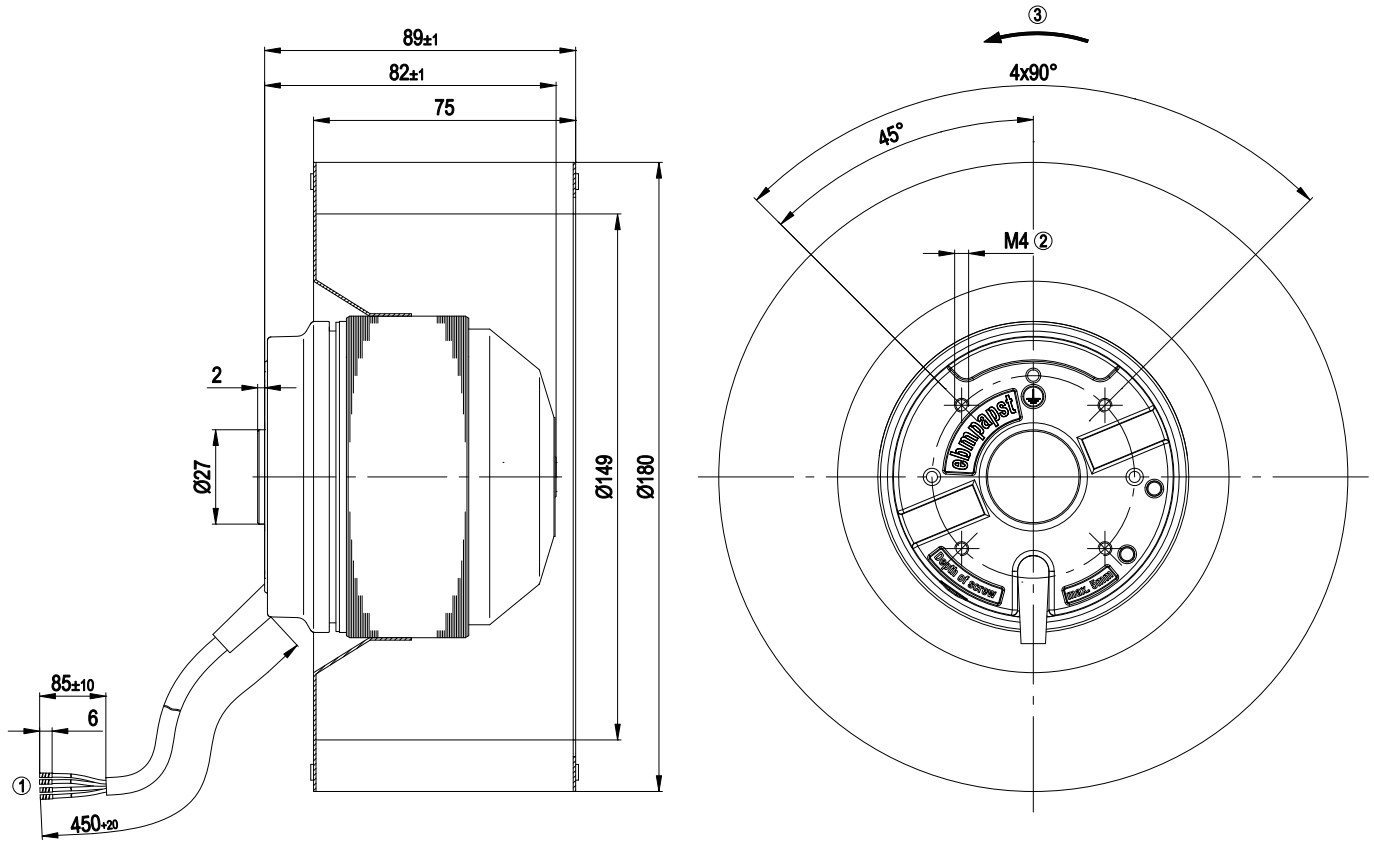
Type	R4E180-AB01-05		
Motor	M4E068-DF		
Phase		1~	1~
Nominal voltage	[V]	230	230
Frequency	[Hz]	50	60
Type of data definition		rfa	rfa
Valid for approval / standard		CE	CE
Speed	[min ⁻¹]	1250	1300
Power input	[W]	110	145
Current draw	[A]	0.49	0.64
Motor capacitor	[μF]	3	3
Capacitor voltage	[VDB]	450	450
Capacitor standard		P0 (CE)	P0 (CE)
Min. back pressure	[Pa]	0	0
Max. ambient temperature	[°C]	50	40
Air flow	[m ³ /h]	575	595
Back pressure	[Pa]	0	0
Sound pressure level	[dB(A)]	65	65

ml = max. load · me = max. efficiency · rfa = running at free air · cs = customer specs · cu = customer unit
Subject to alterations

Technical features

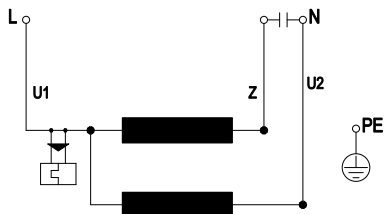
Leakage current	< 0,75 mA
Size	180 mm
Operation mode	S1
Mounting position	Any
Direction of rotation	Clockwise, seen on rotor
Insulation class	"B"
Cable exit	Variable
Condensate discharge holes	Rotor-side
Bearing-motor	Ball bearing
Mass	2.1 kg
Material of impeller	Sheet steel, galvanized
Motor protection	Thermal overload protector (TOP) wired internally
Product conforming to standard	CE; EN 60335-1
Surface of rotor	Partially recast with aluminum
Type of protection	IP 44
Protection class	I
Approval	CCC

Product drawing



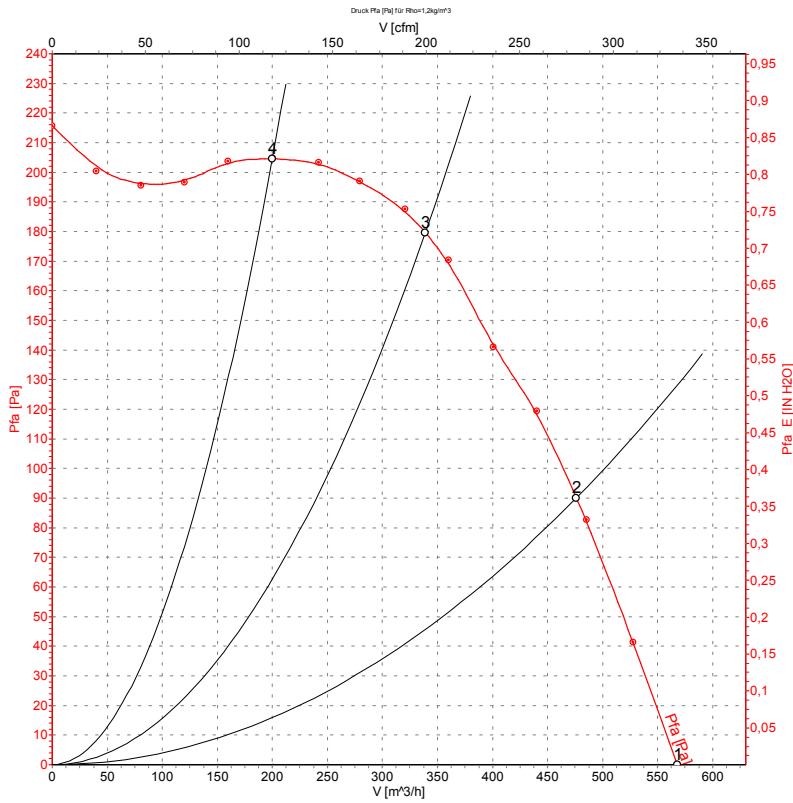
- 1 Connection line PVC, 4x brass lead tips crimped
- 2 Screw depth max. 5 mm
- 3 Direction of rotation clockwise, seen on rotor

Connection screen



U1	blue	Z	brown	U2	black
PE	green/yellow				

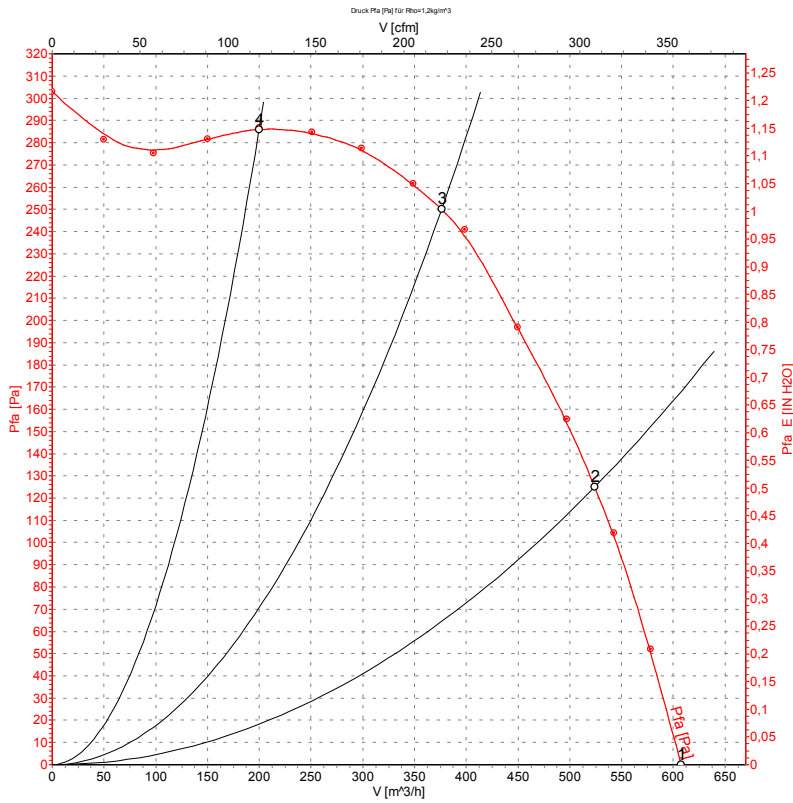
Charts: Air flow 50 Hz



Measured values

	U	f	n	P ₁	I	\hat{V}	P _{fa}
	[V]	[Hz]	[min ⁻¹]	[W]	[A]	[m ³ /h]	[Pa]
1	230	50	1235	110	0.49	570	0
2	230	50	1310	96	0.42	475	90
3	230	50	1380	83	0.37	340	180
4	230	50	1425	74	0.34	200	205

Charts: Air flow 60 Hz



Measured values

	U	f	n	P ₁	I	Ŷ	P _{fa}
	[V]	[Hz]	[min ⁻¹]	[W]	[A]	[m³/h]	[Pa]
1	230	60	1290	145	0.64	610	0
2	230	60	1460	127	0.55	525	125
3	230	60	1595	110	0.49	375	250
4	230	60	1690	95	0.42	200	287