

AC centrifugal fans – RadiCal

backward curved, Ø 560

www.wentylatory-online.pl



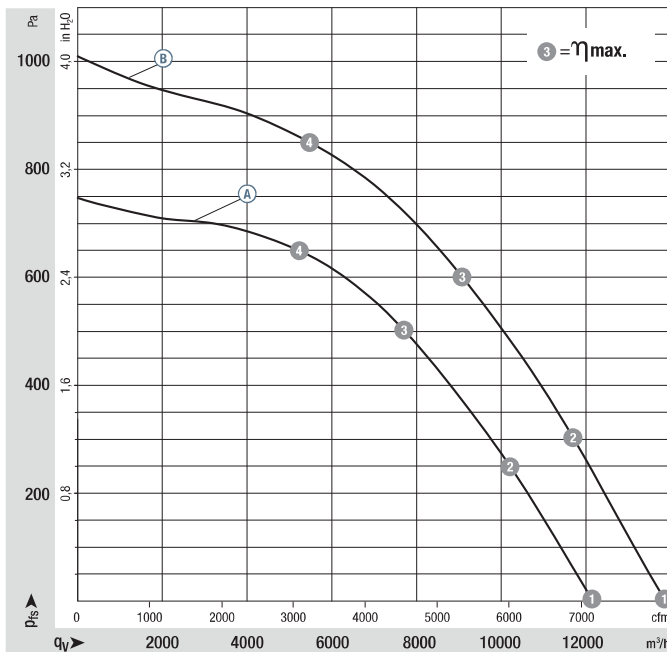
- **Material:** Impeller: Plastic PP
Rotor: Cast in aluminium
- **Number of blades:** 6
- **Direction of rotation:** Clockwise, seen on rotor
- **Type of protection:** IP 54
- **Insulation class:** "F"
- **Mounting position:** Any
- **Condensate discharges:** Rotor- and stator-side
- **Mode of operation:** Continuous operation (S1)
- **Bearings:** Maintenance-free ball bearings

Nominal data		Curve	Nominal voltage	Frequency	Speed/rpm ⁽¹⁾	Max. input power ⁽¹⁾	Max. current draw ⁽¹⁾	Capacitor	Perm. amb. temp.	Electrical connection
Type	Motor	VAC	Hz	rpm	W	A	µF/VDB	°C	p. 171	
*4D 560	M4D 138-LA	Ⓐ 3~ 400	50	1390	1950	3,98	---	-40..+60	D2)	
		Ⓑ 3~ 400	60	1560	2990	5,16	---	-40..+40		

subject to alterations

(1) Nominal data in operating point with maximum load and 400 VAC

Curves:
(50 Hz)



	n rpm	P _{ed} W	I A	L _{WA} dB(A)
Ⓐ 1	1425	1475	3,45	85
Ⓐ 2	1405	1780	3,75	81
Ⓐ 3	1390	1950	3,98	78
Ⓐ 4	1400	1850	3,85	79
Ⓑ 1	1635	2275	4,05	88
Ⓑ 2	1590	2730	4,75	84
Ⓑ 3	1560	2990	5,16	81
Ⓑ 4	1585	2785	4,80	83

Air performance measured as per: ISO 5801, Installation category A, with ebm-papst inlet nozzle without protection against accidental contact. Suction-side noise levels: L_{WA} as per ISO 13347, L_{pA} measured at 1 m distance to fan axis. The acoustic values given are only valid under the measurement conditions listed and may vary depending on the installation situation. With any deviation to the standard setup, the specific values have to be checked and reviewed once installed or fitted! For detailed information see page 172 ff.

- **Motor protection:** Connection for external TOP
- **Touch current:** $\leq 3,5$ mA acc. to IEC 60990 (test circuit, illustration 4)
- **Cable exit:** Lateral
- **Protection class:** I (if customer has provided connection for protective earth)
- **Product conforming to standards:** EN 60034, EN 61800-5-1, CE
- **Approvals:** VDE, GOST



Mass of centrifugal fan

Centrifugal fan

kg

R4D 560-RB03 -01

25,5

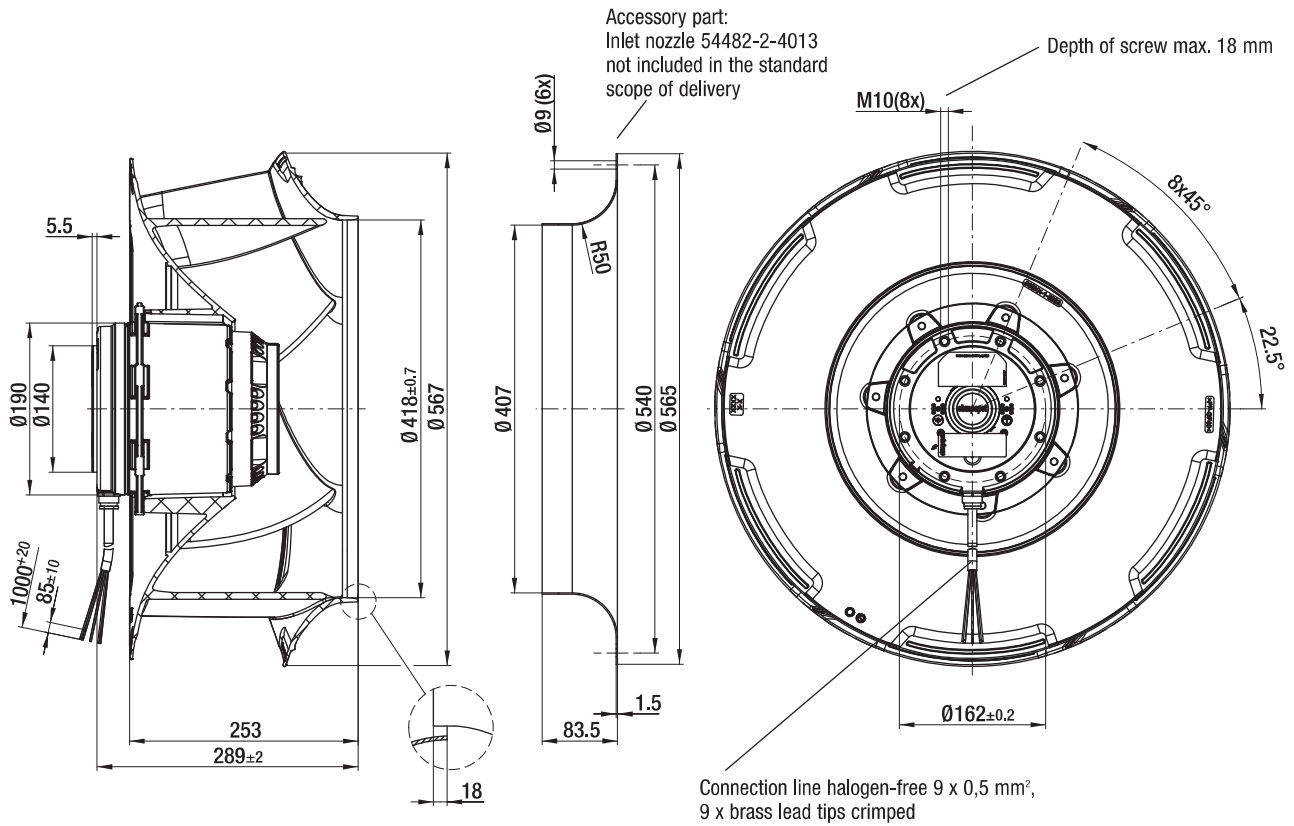
AC centrifugal fans – RadiCal

backward curved, Ø 560



www.wentylatory-online.pl

R4D 560-RB03-01 (Centrifugal fan)

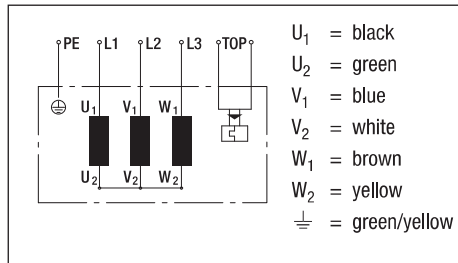


Electrical connections AC

D2) / F1a)

D2) Star connection (3~ 400 VAC power line)

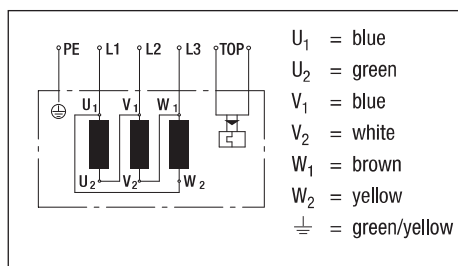
with TOP



Direction of rotation is reversed by swapping two line phases.

F1a) Delta connection (3~ 400 VAC power line)

with TOP



Direction of rotation is reversed by swapping two line phases