

AC centrifugal fans – RadiCal

backward curved, Ø 500

www.wentylatory-online.pl



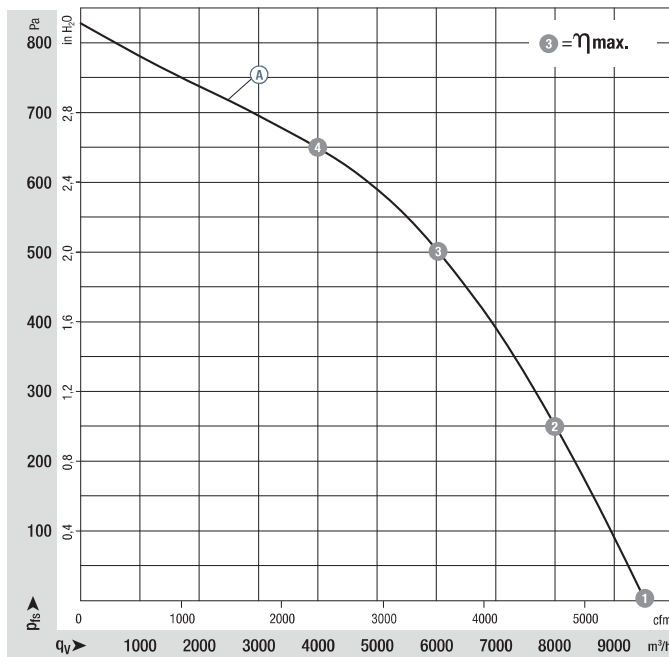
- **Material:** Impeller: Plastic PP
Rotor: Cast in aluminium
- **Number of blades:** 7
- **Direction of rotation:** Clockwise, seen on rotor
- **Type of protection:** IP 54
- **Insulation class:** "F"
- **Mounting position:** Any
- **Condensate discharges:** Rotor- and stator-side
- **Mode of operation:** Continuous operation (S1)
- **Bearings:** Maintenance-free ball bearings

Nominal data		Curve	Nominal voltage	Frequency	Speed/rpm ⁽¹⁾	Max. input power ⁽¹⁾	Max. current draw ⁽¹⁾	Capacitor	Perm. amb. temp.	Electrical connection
Type	Motor	VAC	Hz	rpm	W	A	µF/VDB	°C	p. 171	
*4D 500	M4D 138-HF	Ⓐ 3~ 400	50	1370	1520	2,91	---	-40..+70	D2)	

subject to alterations

(1) Nominal data in operating point with maximum load and 400 VAC

Curves:
(50 Hz)



	n rpm	P _{ed} W	I A	L _{WA} dB(A)
Ⓐ 1	1410	1125	2,45	81
Ⓐ 2	1390	1350	2,70	77
Ⓐ 3	1370	1520	2,91	73
Ⓐ 4	1380	1385	2,75	73

Air performance measured as per: ISO 5801, Installation category A, with ebm-papst inlet nozzle without protection against accidental contact. Suction-side noise levels: L_{WA} as per ISO 13347, L_{pA} measured at 1 m distance to fan axis. The acoustic values given are only valid under the measurement conditions listed and may vary depending on the installation situation. With any deviation to the standard setup, the specific values have to be checked and reviewed once installed or fitted! For detailed information see page 172 ff.

- **Motor protection:** Connection for external TOP
- **Touch current:** $\leq 3,5$ mA acc. to IEC 60990 (test circuit, illustration 4)
- **Cable exit:** Lateral
- **Protection class:** I (if customer has provided connection for protective earth)
- **Product conforming to standards:** EN 60034, EN 61800-5-1, CE
- **Approvals:** VDE, GOST



Mass of centrifugal fan

Centrifugal fan

kg

R4D 500-RA03 -01

21,5

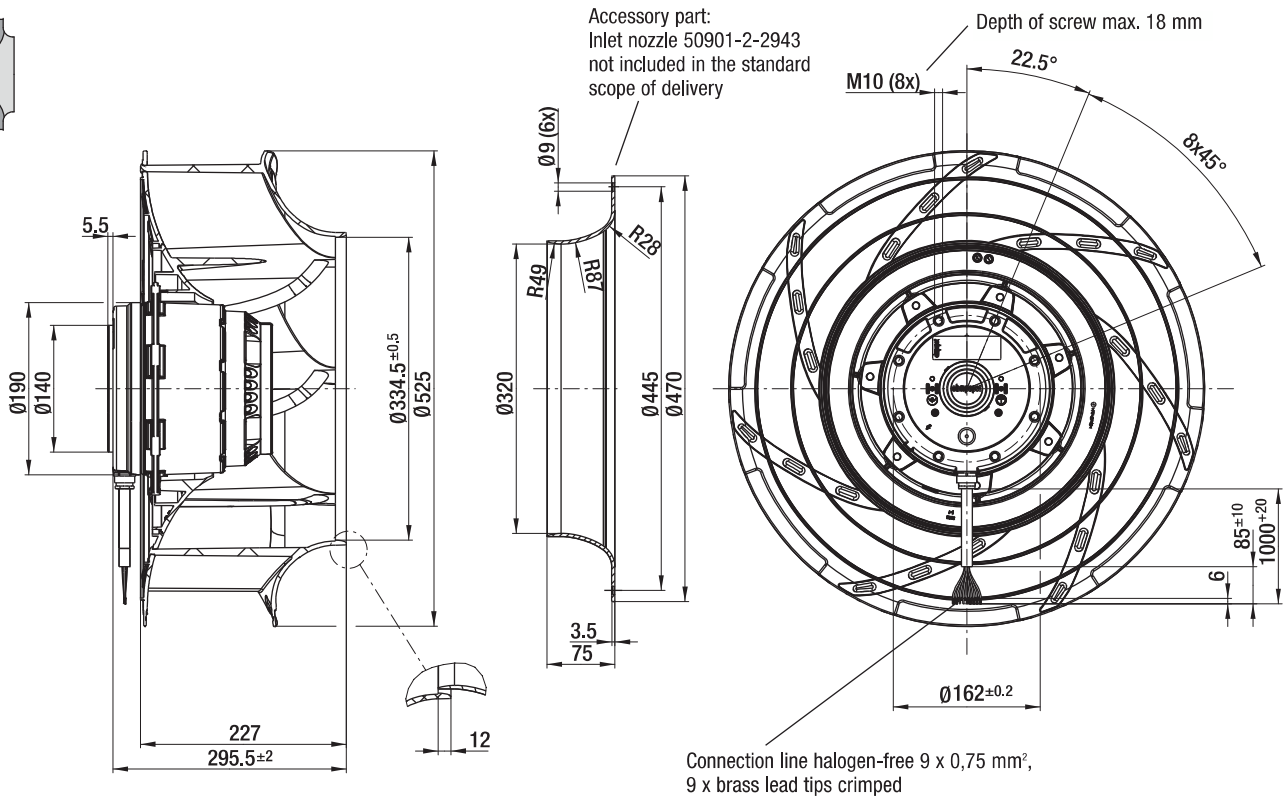
AC centrifugal fans – RadiCal

backward curved, \varnothing 500



www.wentylatory-online.pl

R4D 500-RA03-01 (Centrifugal fan)

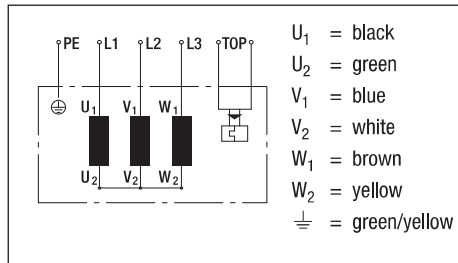


Electrical connections AC

D2) / F1a)

D2) Star connection (3~ 400 VAC power line)

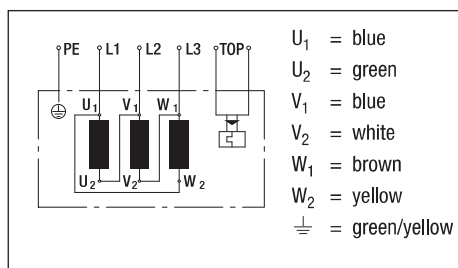
with TOP



Direction of rotation is reversed by swapping two line phases.

F1a) Delta connection (3~ 400 VAC power line)

with TOP



Direction of rotation is reversed by swapping two line phases