

ebm-papst Mulfingen GmbH & Co. KG

Bachmühle 2

74673 Mulfingen

Phone: +49 7938 81-0

Fax: +49 7938 81-110

www.ebmpapst.com

info1@de.ebmpapst.com

Nominal data

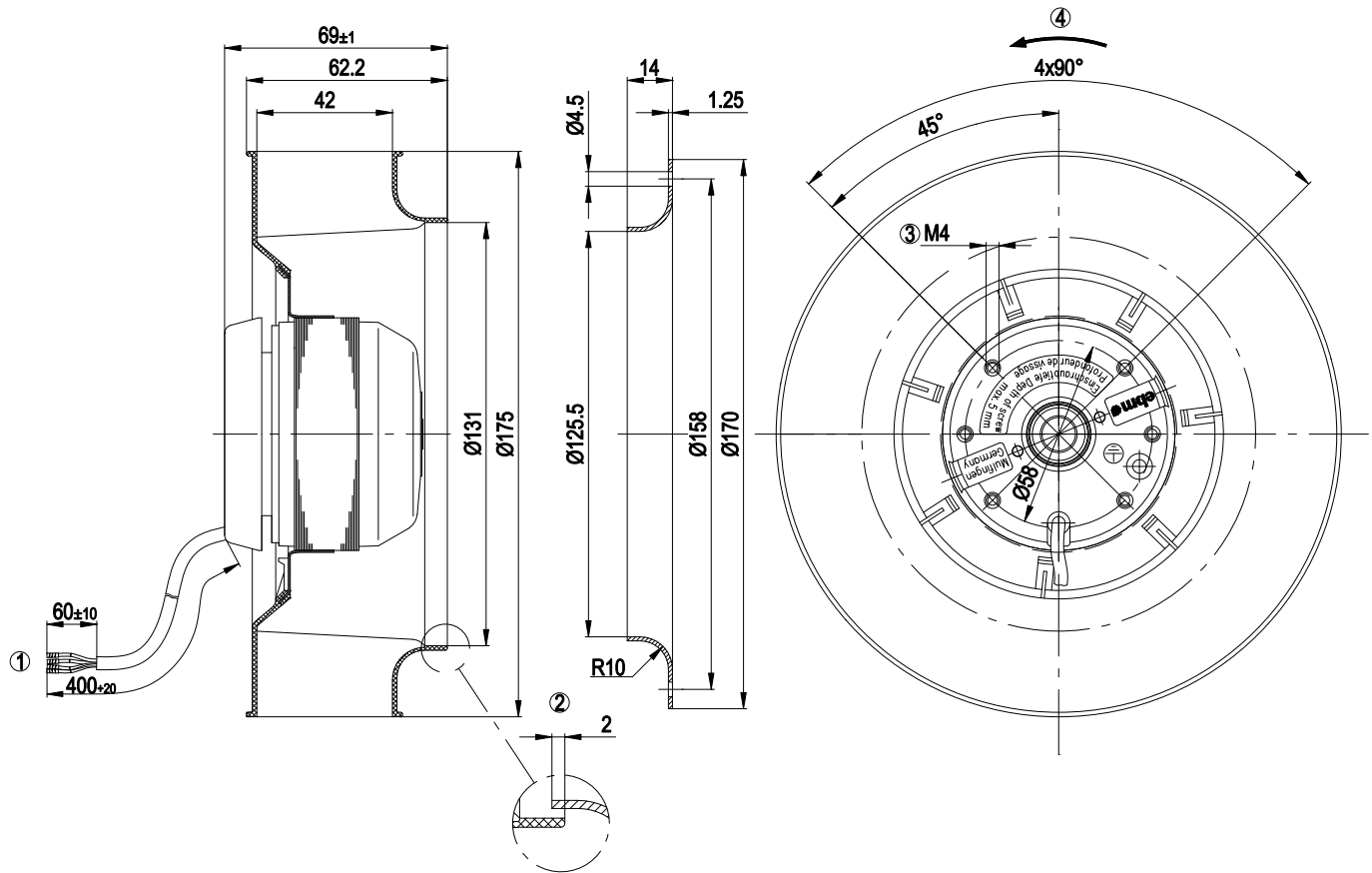
| | | | |
|-------------------------------|-----------------------|------|------|
| Type | R2S175-AB56-01 | | |
| Motor | M2S052-CA | | |
| Phase | | 1~ | 1~ |
| Nominal voltage | [V] | 230 | 230 |
| Frequency | [Hz] | 50 | 60 |
| Type of data definition | | rfa | rfa |
| Valid for approval / standard | | CE | CE |
| Speed | [min ⁻¹] | 2350 | 2300 |
| Power input | [W] | 53 | 51 |
| Current draw | [A] | 0.33 | 0.29 |
| Min. back pressure | [Pa] | 0 | 0 |
| Max. ambient temperature | [°C] | 40 | 55 |
| Air flow | [m ³ /h] | 440 | 430 |
| Back pressure | [Pa] | 0 | 0 |
| Sound pressure level | [dB(A)] | 61 | 60 |

ml = max. load · me = max. efficiency · rfa = running at free air · cs = customer specs · cu = customer unit
Subject to alterations

Technical features

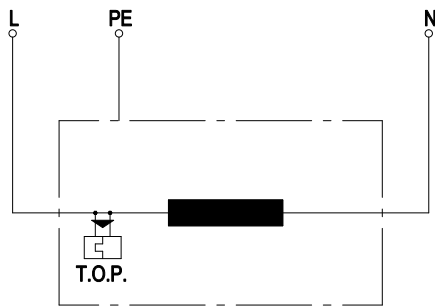
| | |
|--------------------------------|---|
| Leakage current | < 0,75 mA |
| Size | 175 mm |
| Operation mode | S1 |
| Mounting position | Any |
| Direction of rotation | Clockwise, seen on rotor |
| Insulation class | "B" |
| Cable exit | Axial |
| Condensate discharge holes | None |
| Bearing-motor | Ball bearing |
| Mass | 0.9 kg |
| Material of impeller | PA plastic 6, fiberglass-reinforced |
| Motor protection | Thermal overload protector (TOP) wired internally |
| Product conforming to standard | CE; EN 60335-1 |
| Surface of rotor | Coated in black |
| Number of blades | 7 |
| Type of protection | IP 20 |
| Protection class | I |
| Approval | CCC; GOST |

Product drawing



| | |
|---|---|
| 1 | Connection line PVC, 3x brass lead tips crimped |
| 2 | Accessory part: Inlet nozzle 09576-2-4013, not included in the standard scope of delivery |
| 3 | Screw depth max. 5 mm |
| 4 | Direction of rotation clockwise, seen on rotor |

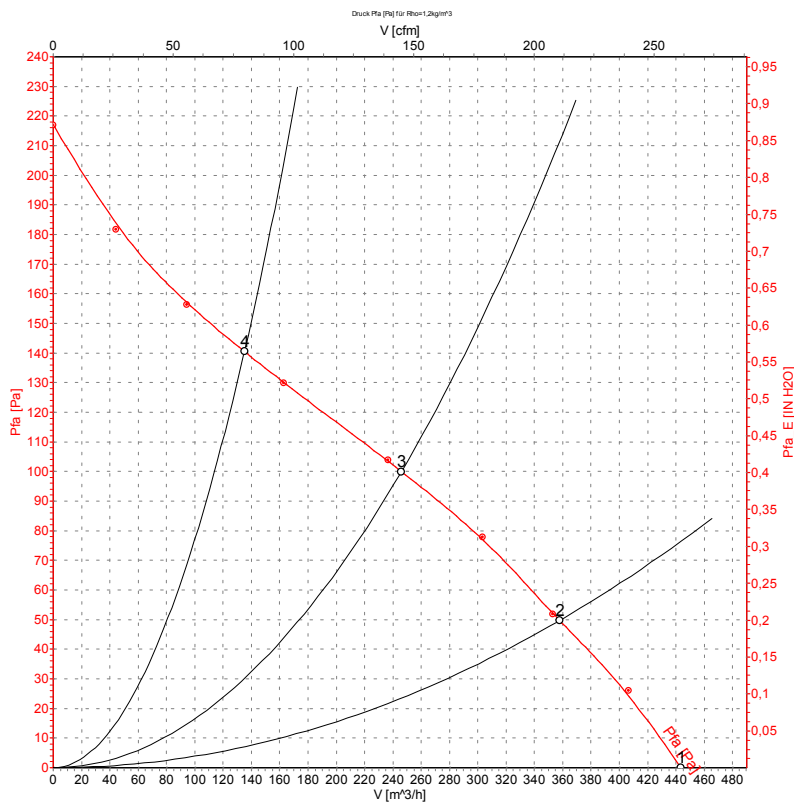
Connection screen



Note: Direction of rotation changes when two phases are reversed

| | |
|-----|------------------------------|
| L | = blue |
| PE | = green/yellow |
| N | = black |
| TOP | = Thermal overload protector |

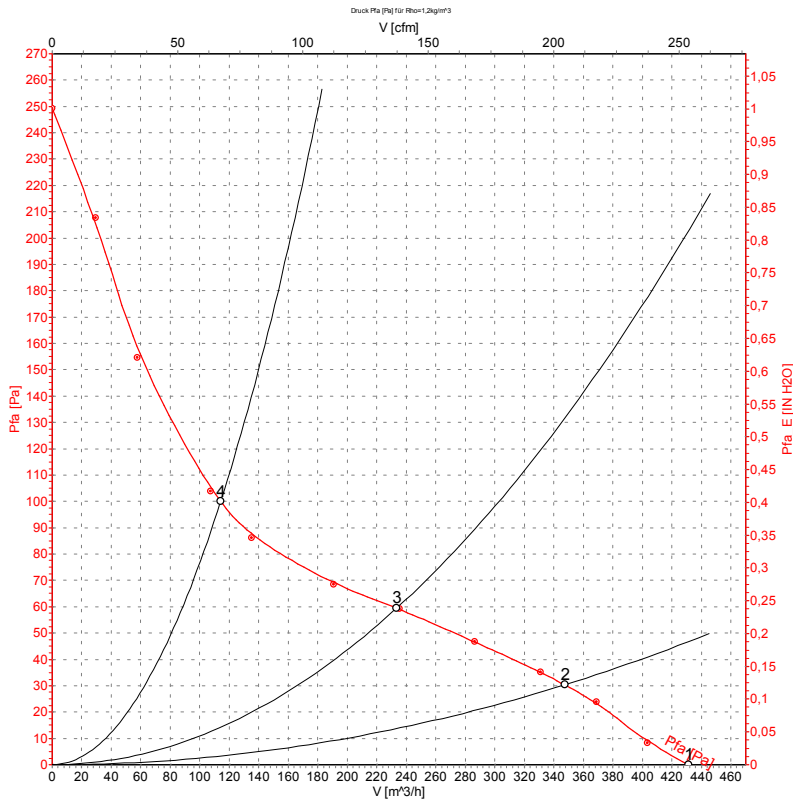
Charts: Air flow 50 Hz



Measured values

| | U | f | n | P ₁ | I | \hat{V} | P _{fa} |
|---|-----|------|----------------------|----------------|------|---------------------|-----------------|
| | [V] | [Hz] | [min ⁻¹] | [W] | [A] | [m ³ /h] | [Pa] |
| 1 | 230 | 50 | 2375 | 52 | 0.33 | 445 | 0 |
| 2 | 230 | 50 | 2245 | 54 | 0.33 | 360 | 50 |
| 3 | 230 | 50 | 2120 | 57 | 0.34 | 245 | 100 |
| 4 | 230 | 50 | 2175 | 55 | 0.34 | 135 | 140 |

Charts: Air flow 60 Hz



Measured values

| | U | f | n | P ₁ | I | \hat{V} | P _{fa} |
|---|-----|------|----------------------|----------------|------|---------------------|-----------------|
| | [V] | [Hz] | [min ⁻¹] | [W] | [A] | [m ³ /h] | [Pa] |
| 1 | 230 | 60 | 2305 | 51 | 0.29 | 430 | 0 |
| 2 | 230 | 60 | 2060 | 53 | 0.30 | 345 | 30 |
| 3 | 230 | 60 | 1775 | 55 | 0.31 | 235 | 60 |
| 4 | 230 | 60 | 1825 | 54 | 0.30 | 115 | 100 |