

AC centrifugal fans – RadiCal

backward curved, Ø 133

www.wentylatory-online.pl



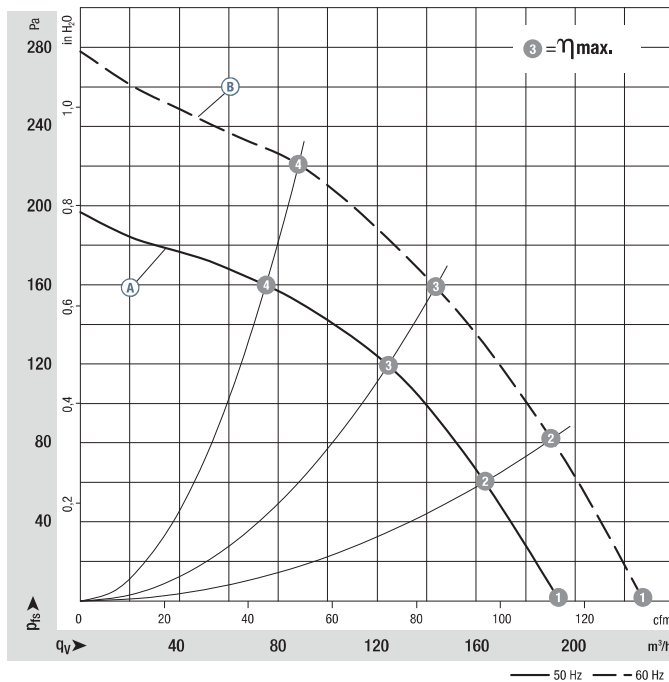
- **Material:** Housing: Plastic PA 6, fibreglass-reinforced
Impeller: Plastic PA 6, fibreglass-reinforced
Rotor: Coated in black
- **Number of blades:** 7
- **Direction of rotation:** Clockwise, seen on rotor
- **Type of protection:** IP 42, depending on installation and position in acc. to EN 60034-5
- **Insulation class:** "B"
- **Mounting position:** any
- **Condensate discharges:** Rotor-side
- **Mode of operation:** Continuous operation (S1)
- **Bearings:** Maintenance-free ball bearings

Nominal data		Curve	Nominal voltage	Frequency	Speed/rpm ⁽¹⁾	Max. input power ⁽¹⁾	Max. current draw ⁽¹⁾	Capacitor	Perm. amb. temp.	Electrical connection
Type	Motor	VAC	Hz	rpm	W	A	µF/VDB	°C	p. 170	
*2E 133	M2E 042-CA	Ⓐ 1~ 230	50	2700	26	0,12	1,5 / 400	-25..+45	A1)	
		Ⓑ 1~ 230	60	3100	27	0,14	1,5 / 400	-25..+60		

subject to alterations

(1) Nominal data in operating point with maximum load and 230 VAC

Curves:



	n rpm	P _{ed} W	I A	L _{WA} dB(A)
Ⓐ ①	2750	25	0,11	58
Ⓐ ②	2730	25	0,11	56
Ⓐ ③	2700	26	0,12	53
Ⓐ ④	2730	24	0,11	57
Ⓑ ①	3200	25	0,13	62
Ⓑ ②	3170	26	0,13	59
Ⓑ ③	3100	27	0,14	57
Ⓑ ④	3185	26	0,13	60

Air performance measured as per: ISO 5801, Installation category A, with ebm-papst inlet nozzle without protection against accidental contact. Suction-side noise levels: L_{WA} as per ISO 13347, L_{pA} measured at 1 m distance to fan axis. The acoustic values given are only valid under the measurement conditions listed and may vary depending on the installation situation. With any deviation to the standard setup, the specific values have to be checked and reviewed once installed or fitted! For detailed information see page 172 ff.

- **Motor protection:** TOP wired internally
- **Touch current:** < 0,75 mA acc. to IEC 60990 (test circuit, illustration 4)
- **Cable exit:** Variable
- **Protection class:** I (if customer has provided connection for protective earth)
- **Product conforming to standards:** EN 60335-1, CE



Mass of centrifugal fan



Mass of centrifugal module with support basket

Centrifugal fan	kg	Centrifugal module w. support basket	kg
R2E 133-RA03 -01	0,6	K2E 133-RA03 -01	0,8

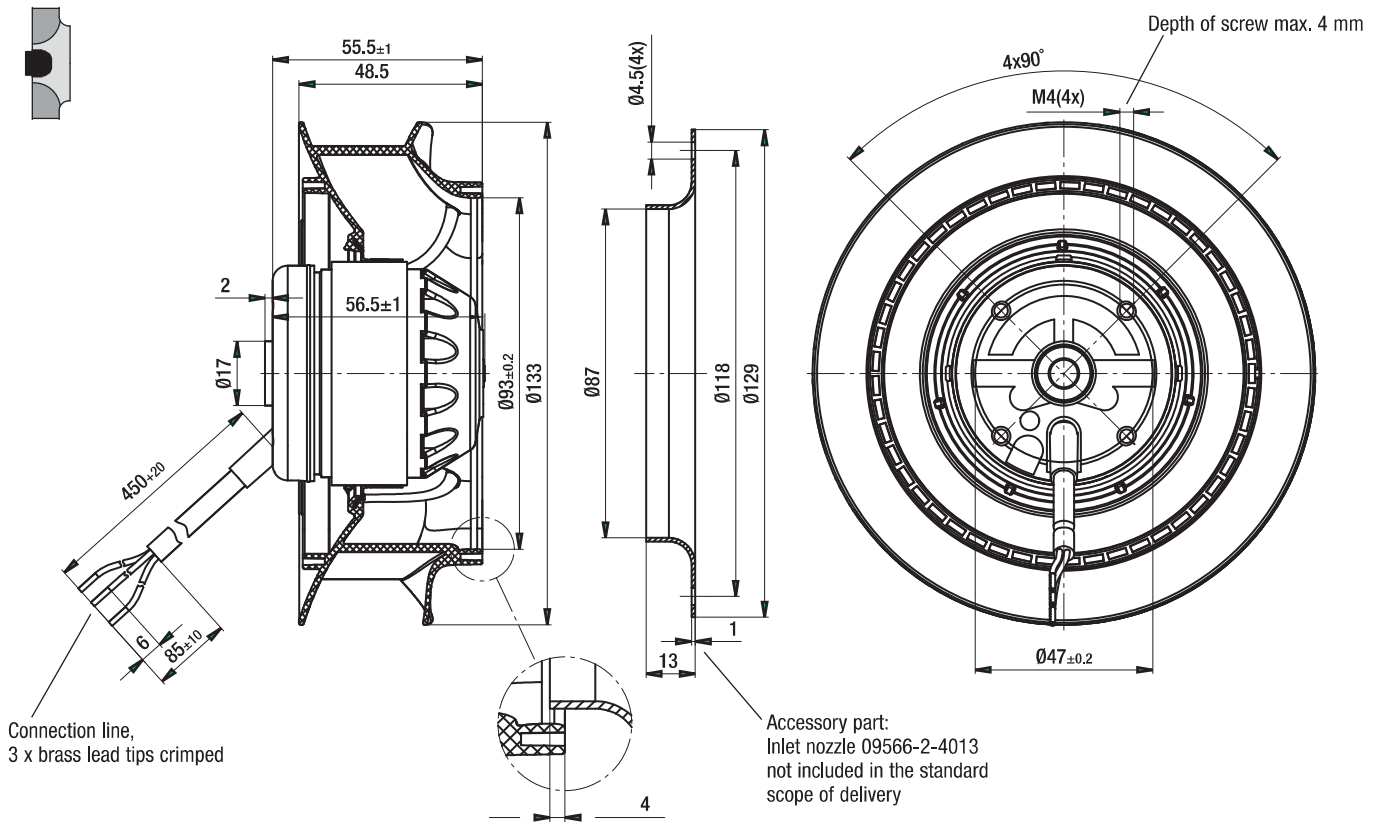
AC centrifugal fans – RadiCal

backward curved, Ø 133

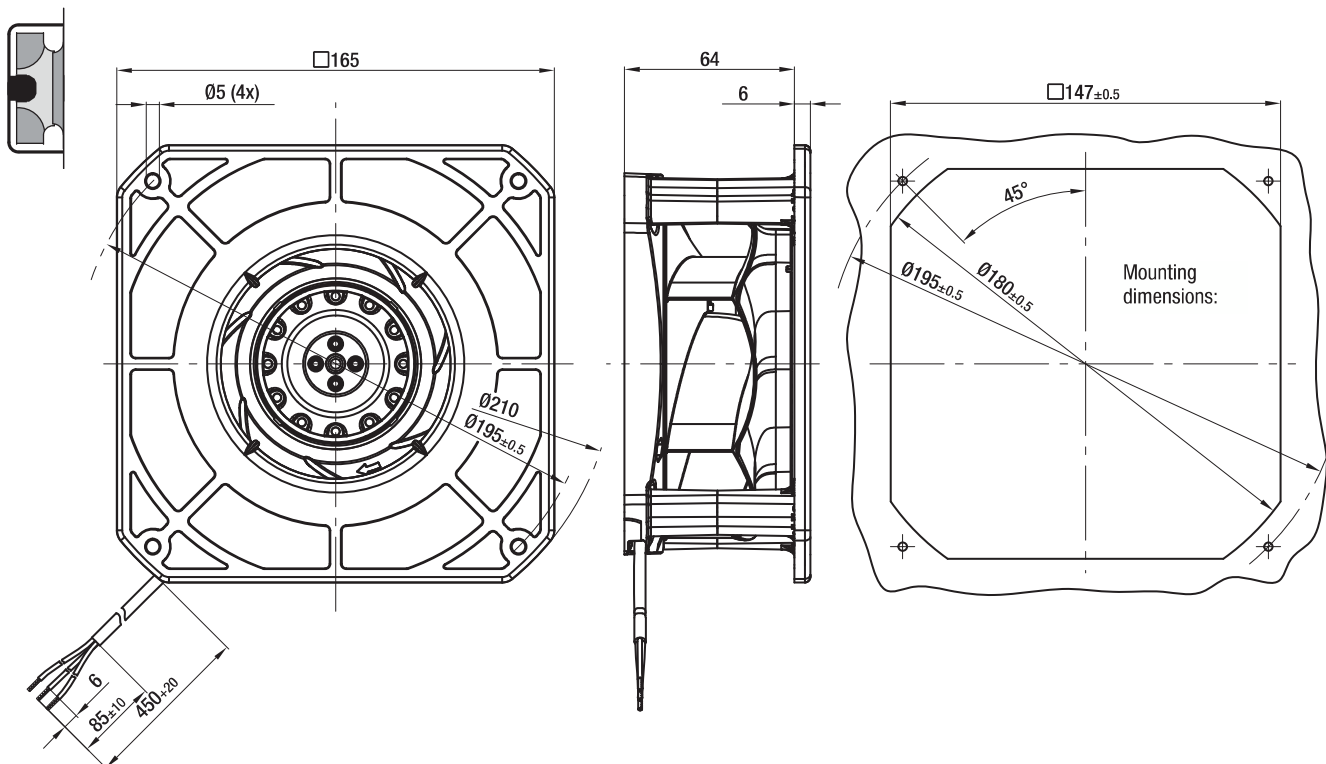


www.wentylatory-online.pl

R2E 133-RA03-01 (Centrifugal fan)



K2E 133-RA03-01 (Centrifugal module with support basket)

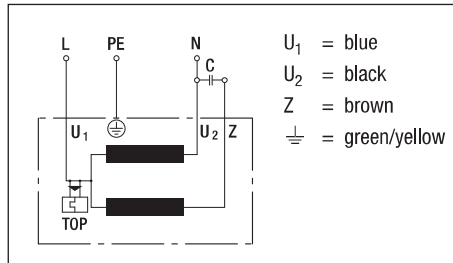


Electrical connections AC

A1) / A2a)

A1) Single-phase capacitor motor (1~ 230 VAC power line)

with TOP wired internally



A2a) Single-phase capacitor motor (1~ 230 VAC power line)

with connection for external TOP

