

R2E097-AD01-05

AC centrifugal fan

forward curved, single inlet



ebm-papst Mulfingen GmbH & Co. KG

Bachmühle 2

74673 Mulfingen

Phone: +49 7938 81-0

Fax: +49 7938 81-110

www.ebmpapst.com

info1@de.ebmpapst.com

Nominal data

Type	R2E097-AD01-05		
Motor	M2E042-CA		
Phase		1~	1~
Nominal voltage	[V]	230	230
Frequency	[Hz]	50	60
Type of data definition		rfa	rfa
Valid for approval / standard		CE	CE
Speed	[min ⁻¹]	2050	2300
Power input	[W]	35	37
Current draw	[A]	0,16	0.17
Motor capacitor	[μF]	1,5	1.5
Capacitor voltage	[VDB]	400	400
Capacitor standard		P2 (CE)	P2 (CE)
Min. back pressure	[Pa]	0	0
Max. ambient temperature	[°C]	40	55
Air flow	[m ³ /h]	100	110
Back pressure	[Pa]	0	0
Sound pressure level	[dB(A)]	55	58

ml = max. load · me = max. efficiency · rfa = running at free air · cs = customer specs · cu = customer unit
Subject to alterations

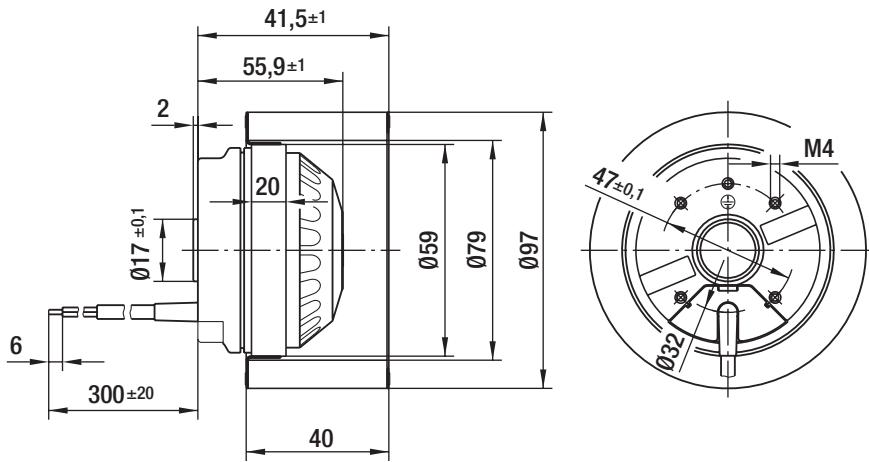
Technical features

Size	97 mm
Operation mode	Continuous operation (S1)
Direction of rotation	Clockwise, seen on rotor
Insulation class	"B"
Cable exit	Axial
Bearing motor	Ball bearing
Mass	0.6 kg
Material of electronics housing	Rotor: Cast in aluminum
Material of impeller	Sendzimir galvanized sheet steel
Motor protection	Thermal overload protector (TOP) wired internally
Product conforming to standard	CE
Type of protection	IP 44 - depending on position
Protection class	I
Approval	CCC

AC centrifugal fan

forward curved, single inlet

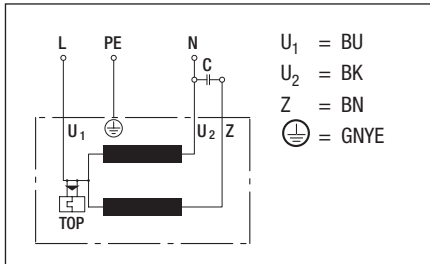
Product drawing



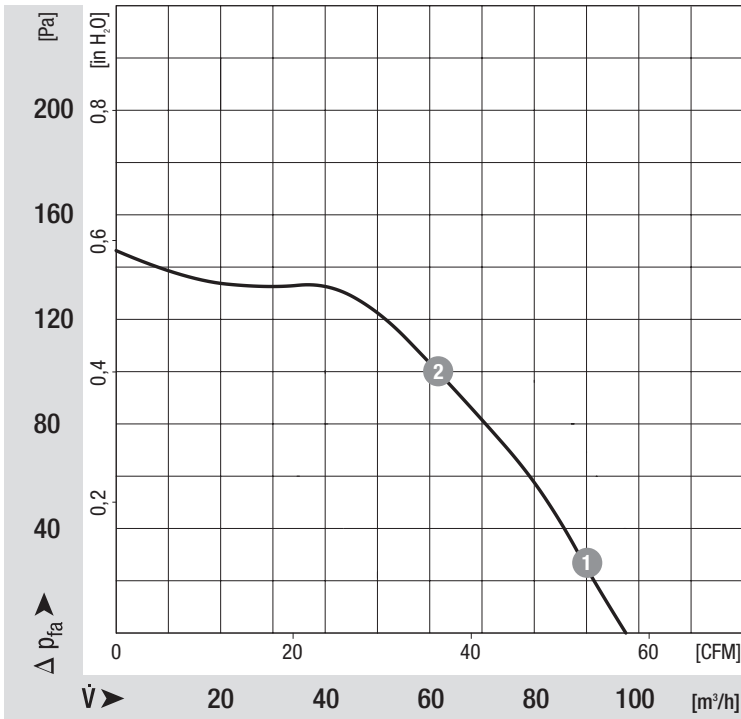
AC centrifugal fan

forward curved, single inlet

Connection screen



Charts: Air flow 50 Hz



Measured values

	n	P ₁	I
	[min ⁻¹]	[W]	[A]
1	2120	35	0.16
2	2335	33	0.15

Charts: Air flow 60 Hz

