

R2E085-AA01-05

# AC centrifugal fan

forward curved, single inlet



**ebm-papst Mulfingen GmbH & Co. KG**

Bachmühle 2

74673 Mulfingen

Phone: +49 7938 81-0

Fax: +49 7938 81-110

www.ebmpapst.com

info1@de.ebmpapst.com

## Nominal data

Type	R2E085-AA01-05		
Motor	M2E042-CA		
Phase		1~	1~
Nominal voltage	[V]	230	230
Frequency	[Hz]	50	60
Type of data definition		rfa	rfa
Valid for approval / standard		CE	CE
Speed	[min <sup>-1</sup> ]	2350	2800
Power input	[W]	32	30
Current draw	[A]	0,15	0.14
Motor capacitor	[µF]	1	1
Capacitor voltage	[VDB]	400	400
Capacitor standard		P2 (CE)	P2 (CE)
Min. back pressure	[Pa]	0	0
Max. ambient temperature	[°C]	50	70
Air flow	[m <sup>3</sup> /h]	80	95
Back pressure	[Pa]	0	0
Sound pressure level	[dB(A)]	53	57

ml = max. load · me = max. efficiency · rfa = running at free air · cs = customer specs · cu = customer unit  
Subject to alterations

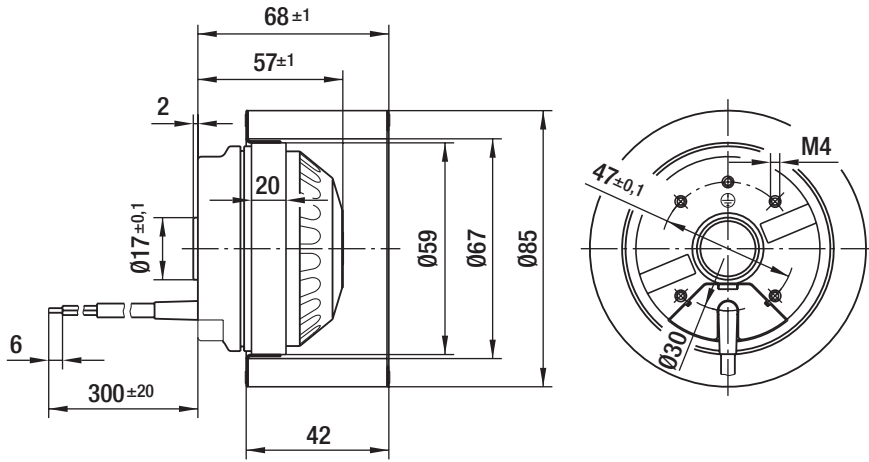
## Technical features

<b>Size</b>	85 mm
<b>Operation mode</b>	Continuous operation (S1)
<b>Direction of rotation</b>	Clockwise, seen on rotor
<b>Insulation class</b>	"B"
<b>Cable exit</b>	Axial
<b>Bearing motor</b>	Ball bearing
<b>Mass</b>	0.7 kg
<b>Material of electronics housing</b>	Rotor: Partially cast in aluminum
<b>Material of impeller</b>	Sendzimir galvanized sheet steel
<b>Motor protection</b>	Thermal overload protector (TOP) wired internally
<b>Product conforming to standard</b>	CE
<b>Type of protection</b>	IP 44 - depending on position
<b>Protection class</b>	I
<b>Approval</b>	CCC

# AC centrifugal fan

forward curved, single inlet

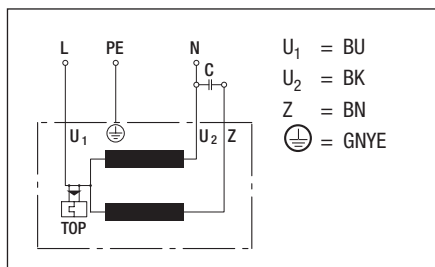
## Product drawing



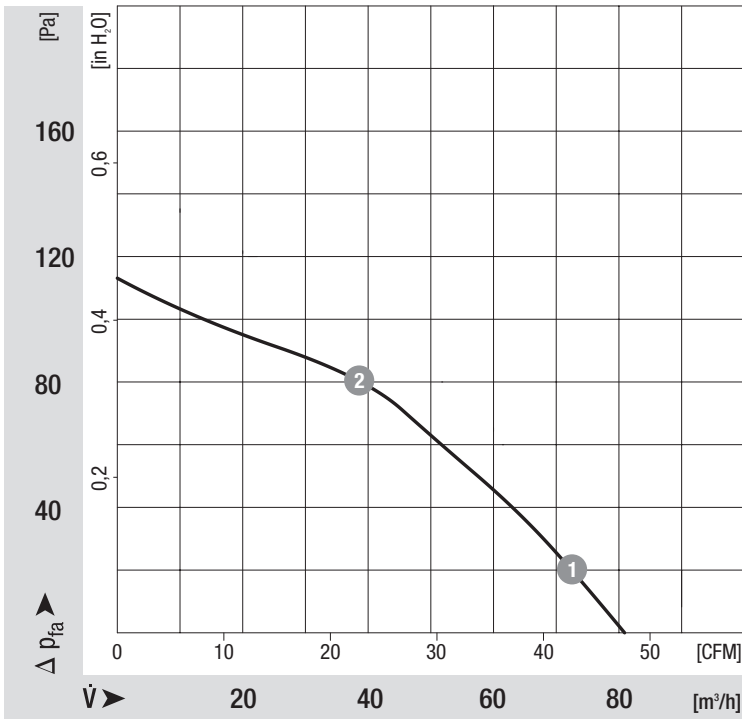
# AC centrifugal fan

forward curved, single inlet

## Connection screen



## Charts: Air flow 50 Hz



## Measured values

	f	n	P <sub>1</sub>	I
	[Hz]	[min <sup>-1</sup> ]	[W]	[A]
1	50	2430	32	0.15
2	50	2590	30	0.14

## Charts: Air flow 60 Hz

