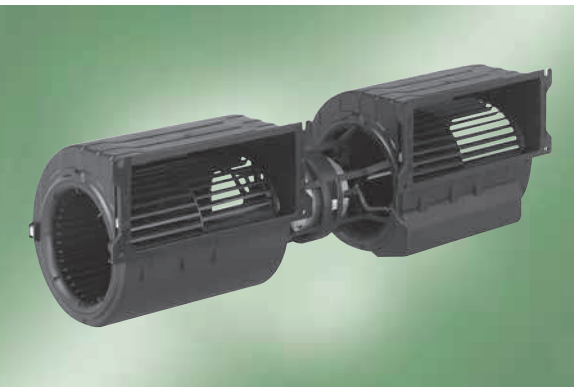


AC centrifugal blowers unit

dual inlet, Ø 146



- **Material:** scroll housing made of plastic PP - coloured in black, impeller and suspension made of plastic PA - coloured in black (in keeping with UL 94 HB)
- **Design:** 5-step blower with integrated EW external-rotor motor and anti-vibration motor suspension on both sides
- **Capacitor:** FPU (P2) integrated in terminal box completely wired up and ready for plug-in
- **Type of protection:** IP 44
- **Insulation class:** "F"
- **Approvals:** VDE, CE

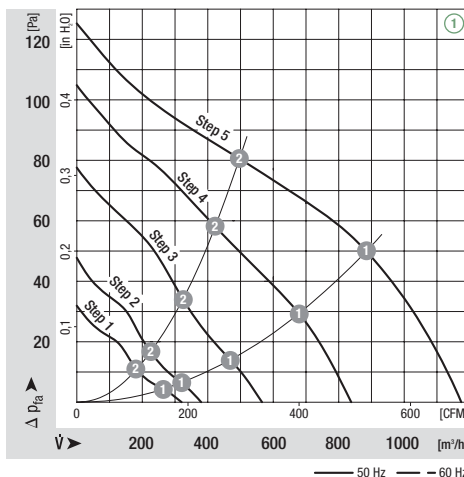
ebm-papst • Mulfingen

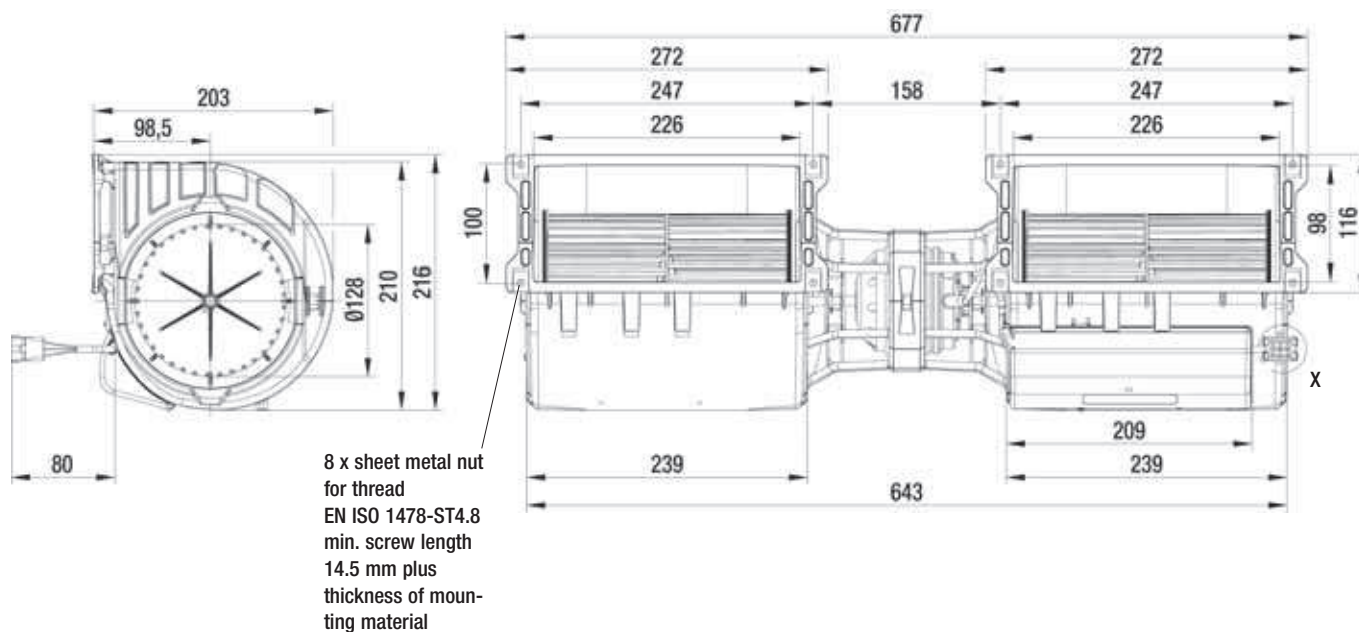
Nominal data		Characteristic	Nominal voltage	Frequency	Air flow	Speed/rpm	Power input	Current draw	Capacitor	Sound pressure level	Min. back pressure	Perm. amb. temp.	Mass
Type	Motor	VAC	Hz	m³/h	min⁻¹	W	A	µF/VDB	dB(A)	Pa	°C	kg	
K4E 146-AB71 -13	M4E068-DF	①	230	50	1180	750	85	0,38	2,5/450	47	0	-25..+50	4,0

subject to alterations

	n [min⁻¹]	P ₁ [W]	I [A]	Lp _A [dBA]
① ① Step 1	330	10	0,13	---
① ② Step 1	480	10	0,13	---
① ① Step 2	400	13	0,15	---
① ② Step 2	580	13	0,15	---
① ① Step 3	570	47	0,22	---
① ② Step 3	820	43	0,21	---
① ① Step 4	810	59	0,27	---
① ② Step 4	1060	51	0,24	---
① ① Step 5	1050	76	0,33	---
① ② Step 5	1240	65	0,28	---

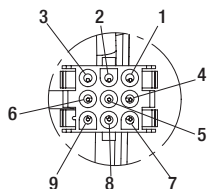
Characteristics





View X
coded plug system AMP Universal-Mate-N-Lok
connector shell AMP 927 231-3
7 x plug pin AMP 926 886-1

- 1 = Step 1 (min.)
- 2 = Step 2
- 3 = Step 3
- 4 = Step 4
- 5 = Step 5 (max.)
- 8 = N
- 9 = Ground wire



Connection diagram
When changing speeds,
the switch must break
the circuit.

