

AC centrifugal fans – RadiCal

backward curved, Ø 250

www.wentylatory-online.pl



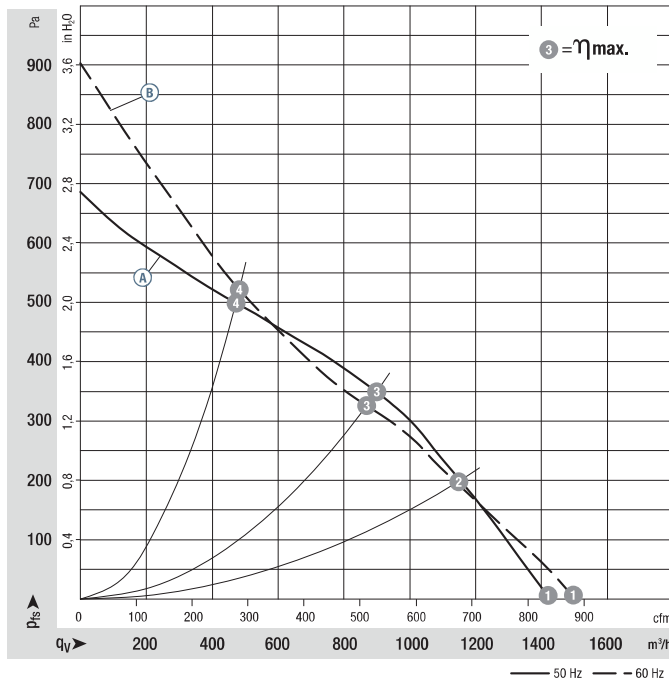
- **Material:** Housing: Plastic PA 6, fibreglass-reinforced
Impeller: Plastic PA 6, fibreglass-reinforced
Rotor: Coated in black
- **Number of blades:** 7
- **Direction of rotation:** Clockwise, seen on rotor
- **Type of protection:** IP 44, depending on installation and position in acc. to EN 60034-5
- **Insulation class:** "B"
- **Mounting position:** any
- **Condensate discharges:** Rotor-side
- **Mode of operation:** Continuous operation (S1)
- **Bearings:** Maintenance-free ball bearings

Nominal data		Curve	Nominal voltage	Frequency	Speed/rpm ⁽¹⁾	Max. input power ⁽¹⁾	Max. current draw ⁽¹⁾	Capacitor	Perm. amb. temp.	Electrical connection
Type	Motor	VAC	Hz	rpm	W	A	µF/VDB	°C	p. 170	
*2E 250	M2E 068-EC	Ⓐ 1~ 230	50	2500	210	0,93	5,0 / 400	-25..+70	A1)	
		Ⓑ 1~ 230	60	2450	285	1,25	5,0 / 400	-25..+30		

subject to alterations

(1) Nominal data in operating point with maximum load and 230 VAC

Curves:



	n rpm	P _{ed} W	I A	L _{WA} dB(A)
Ⓐ ①	2630	180	0,78	75
Ⓐ ②	2525	205	0,91	70
Ⓐ ③	2500	210	0,93	67
Ⓐ ④	2585	190	0,83	72
Ⓑ ①	3220	170	0,76	79
Ⓑ ②	2485	275	1,20	71
Ⓑ ③	2450	285	1,25	67
Ⓑ ④	2650	260	1,15	74

Air performance measured as per: ISO 5801, Installation category A, with ebm-papst inlet nozzle without protection against accidental contact. Suction-side noise levels: L_{WA} as per ISO 13347, L_{pA} measured at 1 m distance to fan axis. The acoustic values given are only valid under the measurement conditions listed and may vary depending on the installation situation. With any deviation to the standard setup, the specific values have to be checked and reviewed once installed or fitted! For detailed information see page 172 ff.

- **Motor protection:** TOP wired internally
- **Touch current:** < 0,75 mA acc. to IEC 60990 (test circuit, illustration 4)
- **Cable exit:** Variable (R2E)
- **Connection leads:** Plug system (K2E)
- **Protection class:** I (if customer has provided connection for protective earth)
- **Product conforming to standards:** EN 60335-1, CE
- **Approvals:** R2E: CCC



Mass of centrifugal fan



Mass of centrifugal module with support basket

Centrifugal fan	kg	Centrifugal module w. support basket	kg
R2E 250-RA50 -01	2,90	K2E 250-RA50 -01 ⁽²⁾	3,70

(2) Only applicable by 50 Hz

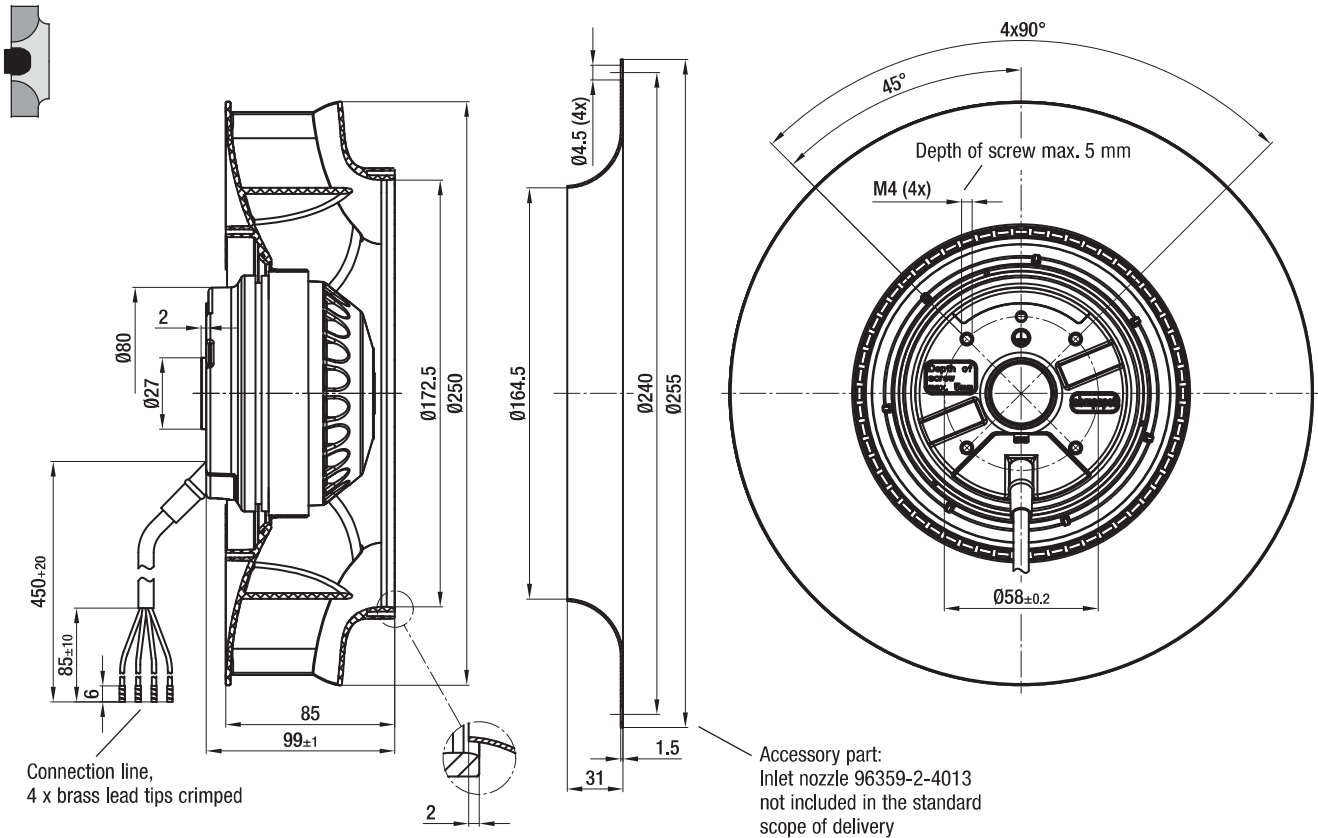
AC centrifugal fans – RadiCal

backward curved, Ø 250

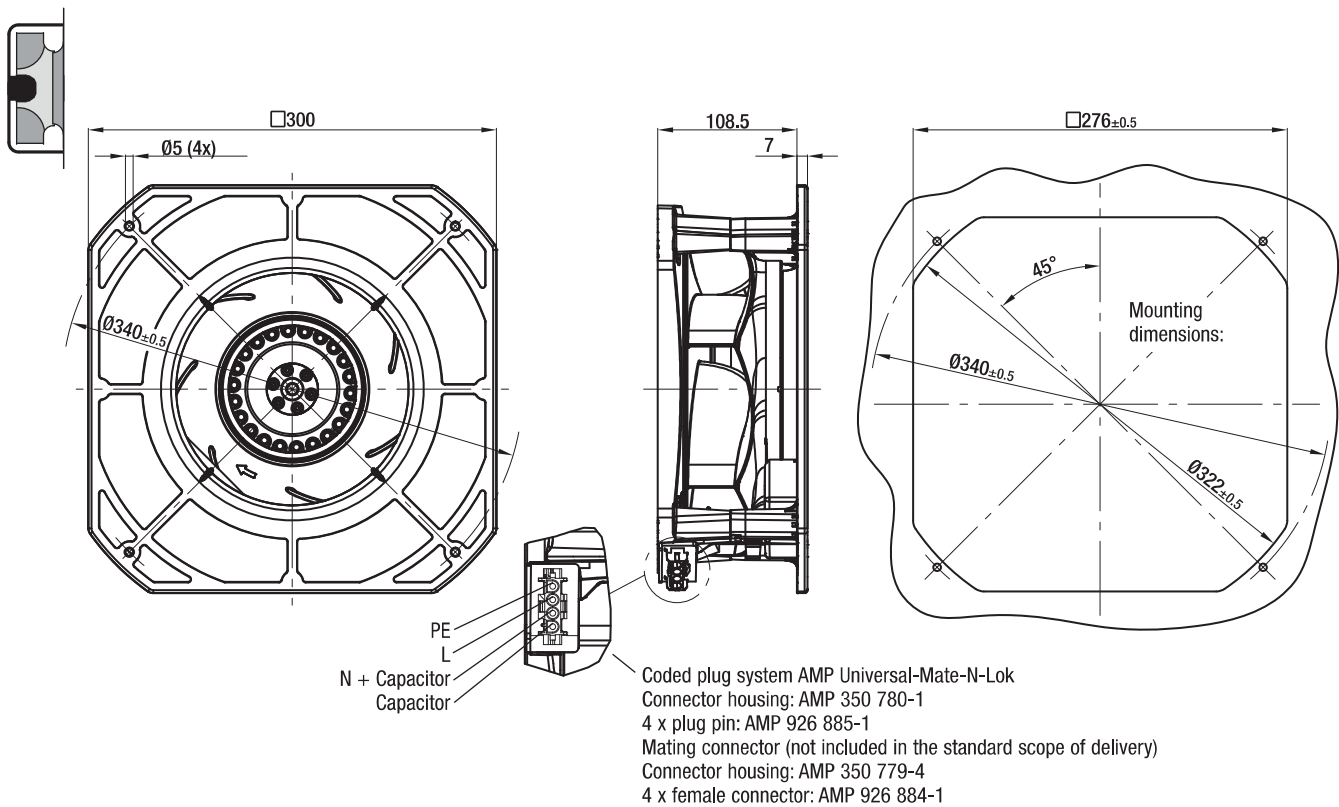


www.wentylatory-online.pl

R2E 250-RA50-01 (Centrifugal fan)



K2E 250-RA50-01 (Centrifugal module with support basket)

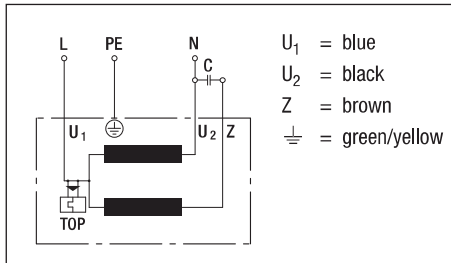


Electrical connections AC

A1) / A2a)

A1) Single-phase capacitor motor (1~ 230 VAC power line)

with TOP wired internally



A2a) Single-phase capacitor motor (1~ 230 VAC power line)

with connection for external TOP

