

AC centrifugal fans – RadiCal

backward curved, Ø 220

www.wentylatory-online.pl



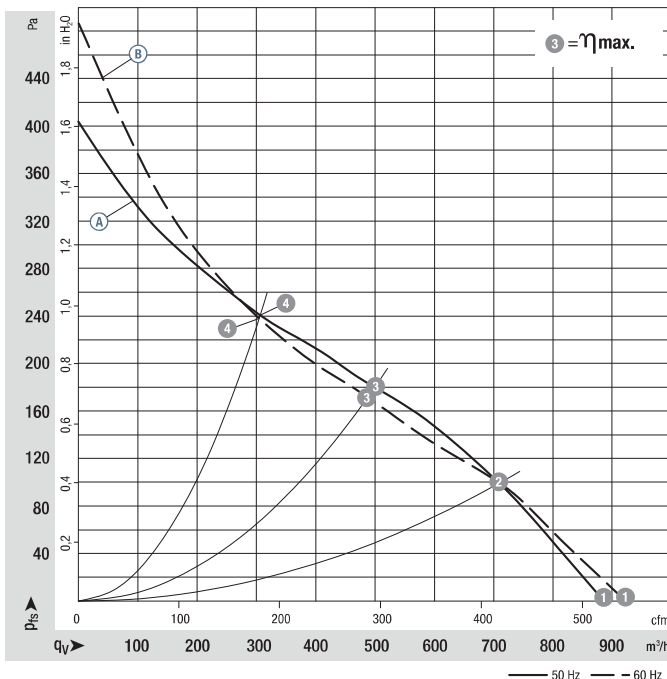
- **Material:** Housing: Plastic PA 6, fibreglass-reinforced
Impeller: Plastic PA 6, fibreglass-reinforced
Rotor: Coated in black
- **Number of blades:** 7
- **Direction of rotation:** Clockwise, seen on rotor
- **Type of protection:** IP 44, depending on installation and position in acc. to EN 60034-5
- **Insulation class:** "B"
- **Mounting position:** any
- **Condensate discharges:** Rotor-side
- **Mode of operation:** Continuous operation (S1)
- **Bearings:** Maintenance-free ball bearings

Nominal data		Curve	Nominal voltage	Frequency	Speed/rpm ⁽¹⁾	Max. input power ⁽¹⁾	Max. current draw ⁽¹⁾	Capacitor	Perm. amb. temp.	Electrical connection
Type	Motor	VAC	Hz	rpm	W	A	µF/VDB	°C	p. 170	
*2E 220	M2E 068-BF	A) 1~ 230	50	2100	88	0,39	2,0 / 450	-25..+50	A1)	
		B) 1~ 230	60	2050	107	0,47	2,0 / 450	-25..+60		
*2E 220	M2E 068-CF	C) 1~ 230	50	2500	102	0,45	2,5 / 400	-25..+60	A1)	
		D) 1~ 230	60	2650	135	0,60	2,5 / 400	-25..+75		

subject to alterations

(1) Nominal data in operating point with maximum load and 230 VAC

Curves:



	n rpm	P _{ed} W	I A	L _{WA} dB(A)
A) 1	2350	80	0,36	68
A) 2	2240	86	0,38	62
A) 3	2100	88	0,39	60
A) 4	2185	86	0,38	63
B) 1	2450	100	0,46	69
B) 2	2220	105	0,46	62
B) 3	2050	107	0,47	60
B) 4	2165	105	0,46	63

Air performance measured as per: ISO 5801, Installation category A, with ebm-papst inlet nozzle without protection against accidental contact. Suction-side noise levels: L_{WA} as per ISO 13347, L_{pA} measured at 1 m distance to fan axis. The acoustic values given are only valid under the measurement conditions listed and may vary depending on the installation situation. With any deviation to the standard setup, the specific values have to be checked and reviewed once installed or fitted! For detailed information see page 172 ff.

- **Motor protection:** TOP wired internally
- **Touch current:** < 0,75 mA acc. to IEC 60990 (test circuit, illustration 4)
- **Cable exit:** Variable (R2E)
- **Connection leads:** Plug system (K2E)
- **Protection class:** I (if customer has provided connection for protective earth)
- **Product conforming to standards:** EN 60335-1, CE
- **Approvals:** R2E 220-RA: VDE, CCC, GOST
R2E 220-RB: CCC, GOST
K2E: CCC



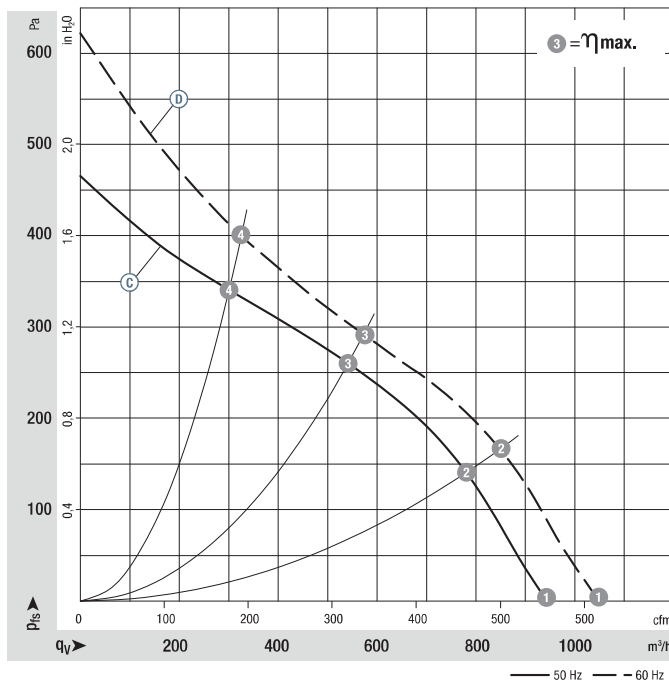
Mass of centrifugal fan



Mass of centrifugal module with support basket

Centrifugal fan	kg	Centrifugal module w. support basket	kg
R2E 220-RA38 -01	1,30	K2E 220-RA38 -01	2,00
R2E 220-RB06 -01	1,80	K2E 220-RB06 -01	2,40

Curves:



Air performance measured as per: ISO 5801, Installation category A, with ebm-papst inlet nozzle without protection against accidental contact. Suction-side noise levels: L_{wA} as per ISO 13347, L_pA measured at 1 m distance to fan axis. The acoustic values given are only valid under the measurement conditions listed and may vary depending on the installation situation. With any deviation to the standard setup, the specific values have to be checked and reviewed once installed or fitted! For detailed information see page 172 ff.

	n rpm	P_{ed} W	I A	L_{wA} dB(A)
(A) 1	2600	90	0,40	70
(A) 2	2575	95	0,43	66
(A) 3	2500	102	0,45	64
(A) 4	2580	95	0,42	67
(B) 1	2900	120	0,53	73
(B) 2	2790	130	0,56	68
(B) 3	2650	135	0,60	66
(B) 4	2795	125	0,55	69

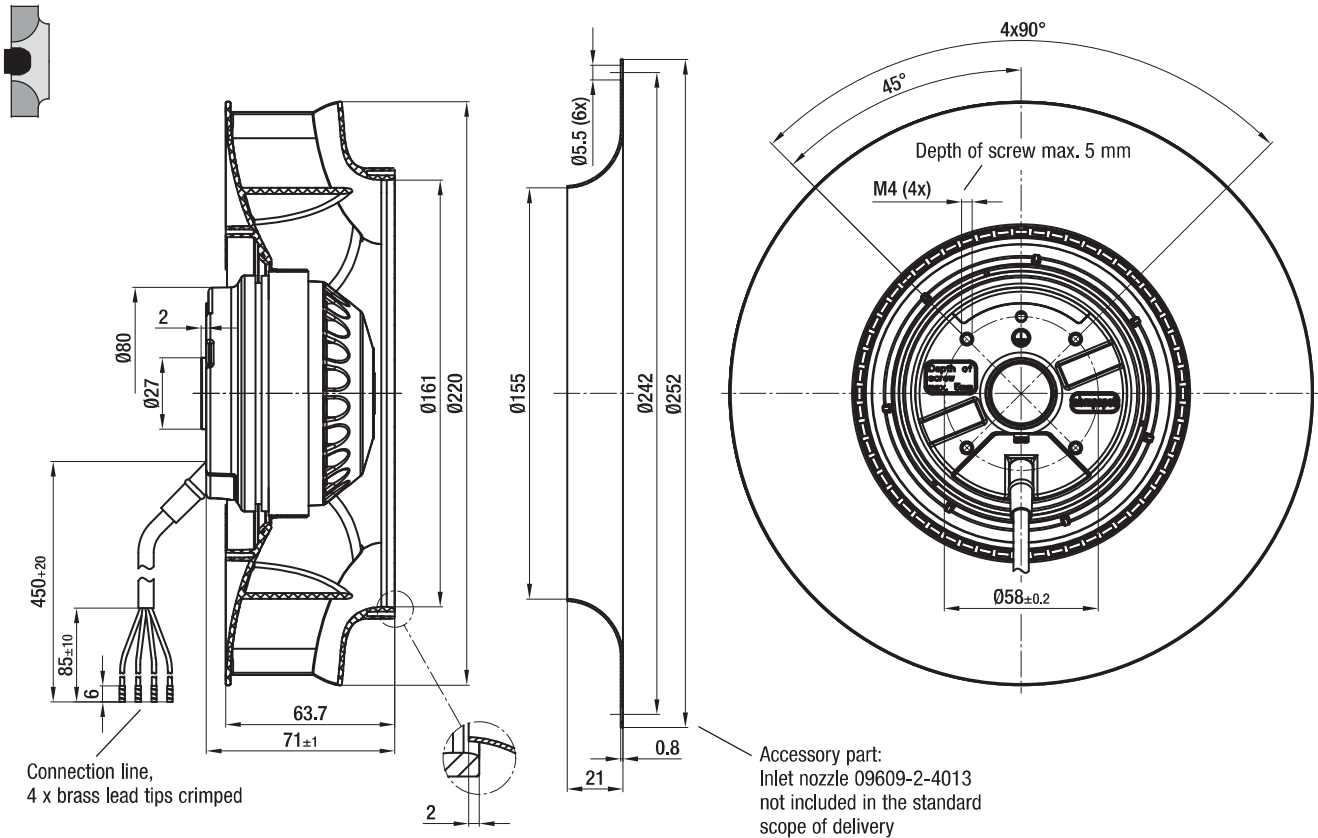
AC centrifugal fans – RadiCal

backward curved, Ø 220

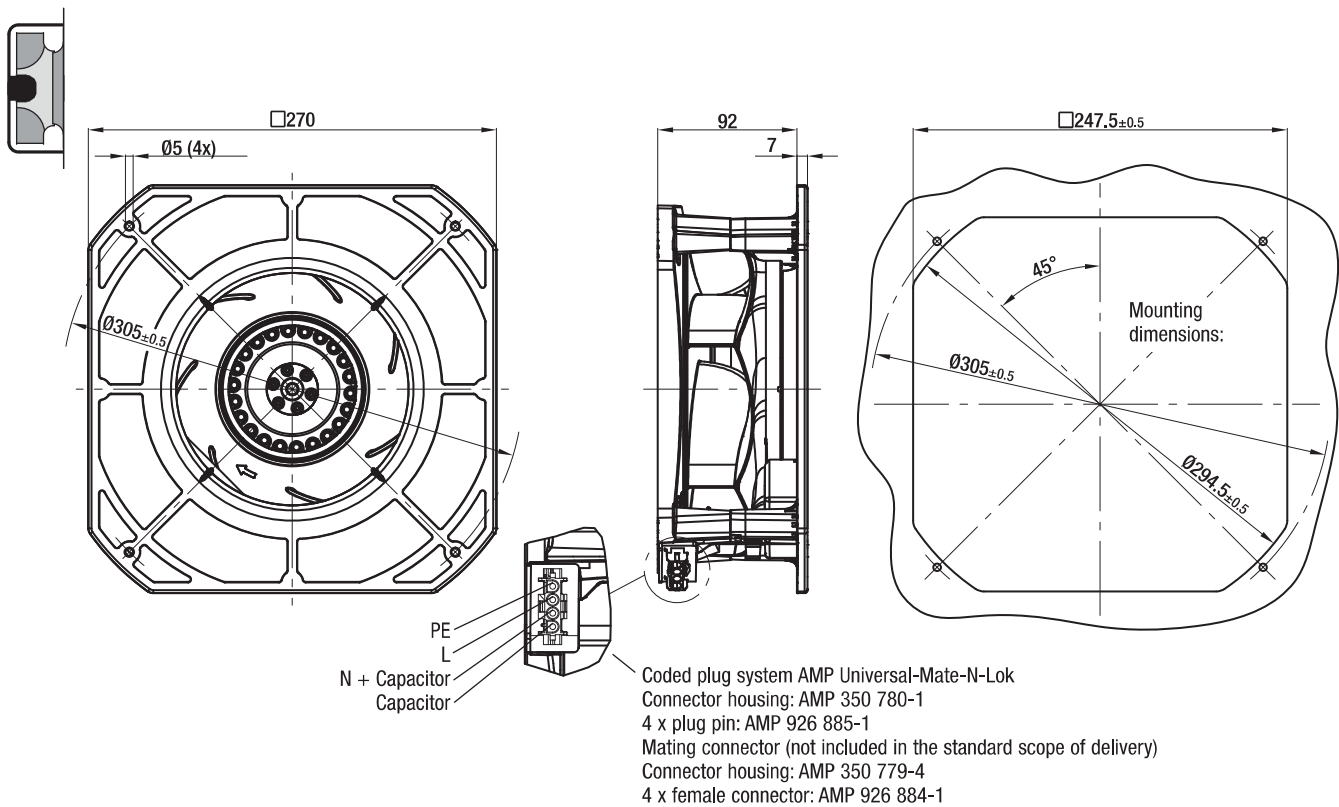


www.wentylatory-online.pl

R2E 220-RA38-01 / R2E 220-RB06-01 (Centrifugal fan)



K2E 220-RA38-01 / K2E 220-RB06-01 (Centrifugal module with support basket)

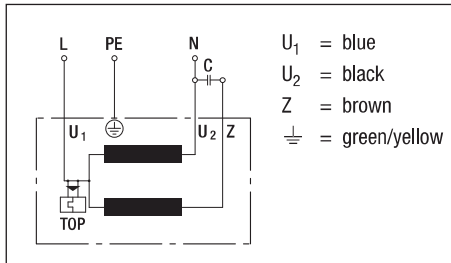


Electrical connections AC

A1) / A2a)

A1) Single-phase capacitor motor (1~ 230 VAC power line)

with TOP wired internally



A2a) Single-phase capacitor motor (1~ 230 VAC power line)

with connection for external TOP

