

G2E180-EH03-01

AC centrifugal fan

forward curved, single inlet
with housing (flange)



ebm-papst Mulfingen GmbH & Co. KG

Bachmühle 2

74673 Mulfingen

Phone: +49 7938 81-0

Fax: +49 7938 81-110

www.ebmpapst.com

info1@de.ebmpapst.com

Nominal data

Type	G2E180-EH03-01		
Motor	M2E074-EI		
Phase		1~	1~
Nominal voltage	[V]	230	230
Frequency	[Hz]	50	60
Type of data definition		rfa	ml
Valid for approval / standard		CE	CE
Speed	[min ⁻¹]	1950	2150
Power input	[W]	400	415
Current draw	[A]	1.75	1.82
Motor capacitor	[μF]	8	8
Capacitor voltage	[VDB]	400	400
Capacitor standard		P0 (CE)	P0 (CE)
Min. back pressure	[Pa]	0	250
Max. ambient temperature	[°C]	40	30

ml = max. load · me = max. efficiency · rfa = running at free air · cs = customer specs · cu = customer unit
Subject to alterations

AC centrifugal fan

forward curved, single inlet

with housing (flange)

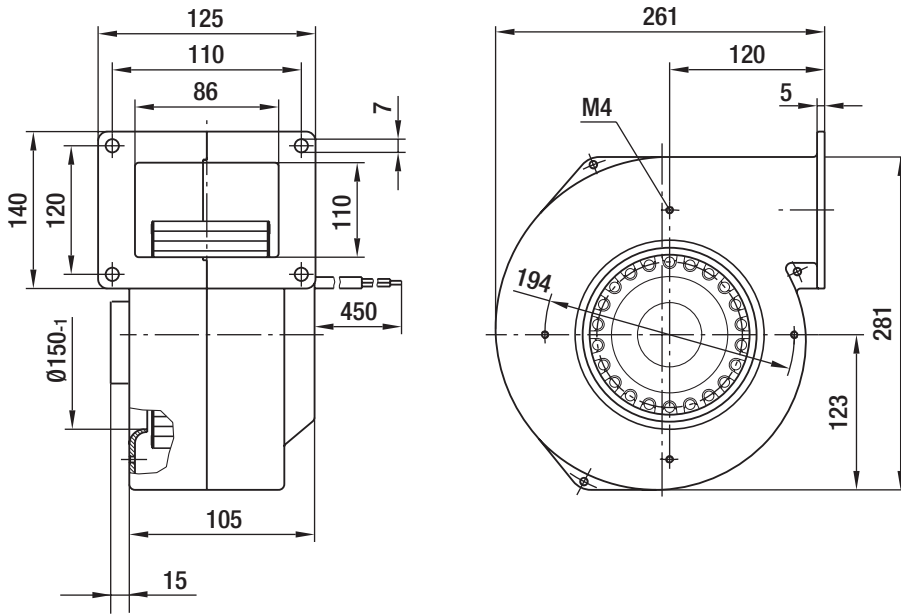
Technical features

Leakage current	< 0.75 mA
Size	180 mm
Operation mode	S1
Direction of rotation	Clockwise, seen on rotor
Mounting position	Any
Humidity class	F0
Insulation class	"B"
Condensate discharge holes	Rotor-side
Bearing motor	Ball bearing
Mass	5.6 kg
Housing material	Die-cast aluminum
Material of impeller	Sheet steel, galvanized
Motor protection	Thermal overload protector (TOP) wired internally
Product conforming to standard	CE; EN 60335-1
Surface of rotor	Coated in black
Type of protection	IP 44; Depending on installation and position as per EN 60034-5
Protection class	I
Max. permissible ambient motor temp. (transp./ storage)	+ 80 °C
Min. permissible ambient motor temp. (transp./storage)	- 40 °C
Approval	CCC

AC centrifugal fan

forward curved, single inlet
with housing (flange)

Product drawing

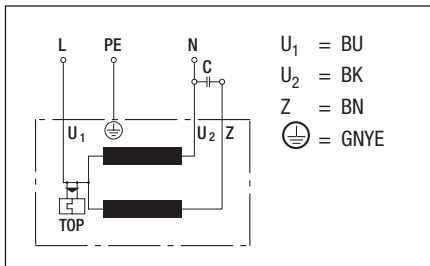


AC centrifugal fan

forward curved, single inlet

with housing (flange)

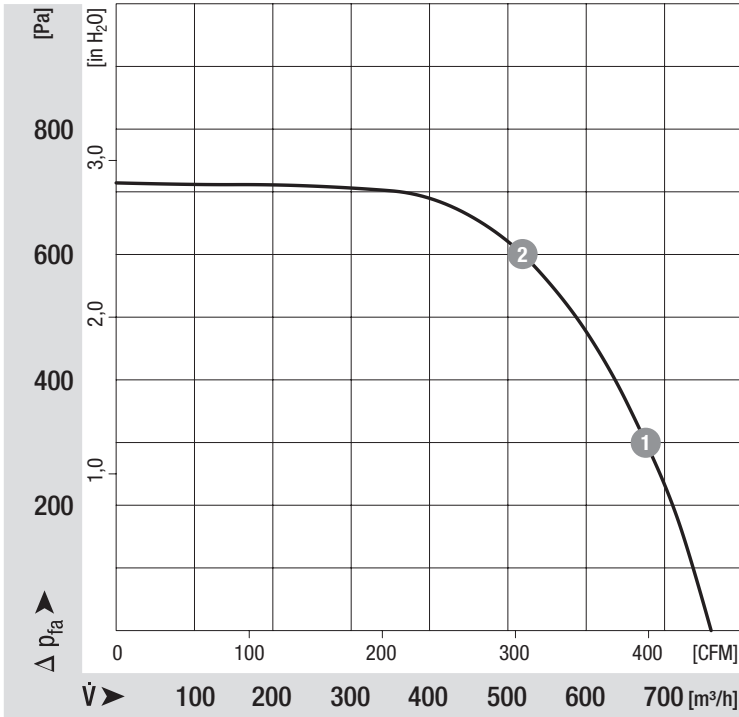
Connection screen



AC centrifugal fan

forward curved, single inlet
with housing (flange)

Charts: Air flow 50 Hz



Measured values

	n	P ₁	I
	[min ⁻¹]	[W]	[A]
1	2290	335	1.47
2	2600	255	1.12

AC centrifugal fan

forward curved, single inlet
with housing (flange)

Charts: Air flow 60 Hz

