

G2E140-NS38-01

AC centrifugal fan

forward curved, single inlet

with housing (flange)



ebm-papst Mulfingen GmbH & Co. KG

Bachmühle 2

74673 Mulfingen

Phone: +49 7938 81-0

Fax: +49 7938 81-110

www.ebmpapst.com

info1@de.ebmpapst.com

Nominal data

Type	G2E140-NS38-01		
Motor	M2E068-BF		
Phase		1~	1~
Nominal voltage	[V]	230	230
Frequency	[Hz]	50	60
Type of data definition		rfa	ml
Valid for approval / standard		CE	CE
Speed	[min ⁻¹]	1800	1850
Power input	[W]	105	115
Current draw	[A]	0.46	0.51
Motor capacitor	[µF]	2	2
Capacitor voltage	[VDB]	450	450
Capacitor standard		P0 (CE)	P0 (CE)
Min. back pressure	[Pa]	0	50
Max. ambient temperature	[°C]	40	35

ml = max. load · me = max. efficiency · rfa = running at free air · cs = customer specs · cu = customer unit
Subject to alterations

G2E140-NS38-01

AC centrifugal fan

forward curved, single inlet

with housing (flange)

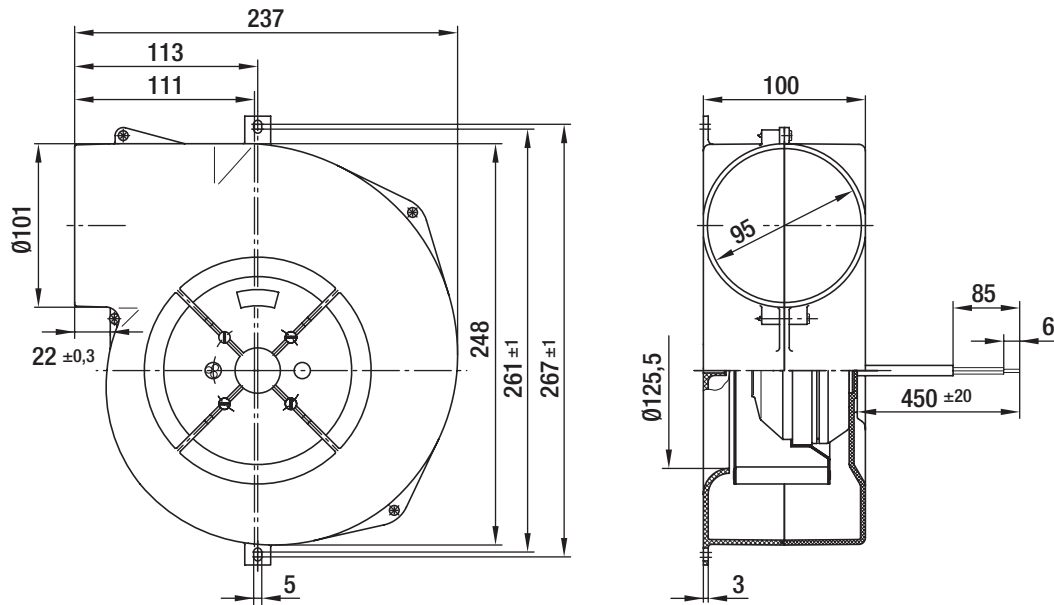
Technical features

Leakage current	< 0,75 mA
Size	140 mm
Operation mode	Continuous operation (S1)
Direction of rotation	Clockwise, seen on rotor
Humidity class	F0
Insulation class	"B"
Bearing motor	Ball bearing
Mass	1.6 kg
Housing material	Heat-resistant plastic
Material of impeller	Heat-resistant plastic
Motor protection	Thermal overload protector (TOP) wired internally
Product conforming to standard	CE
Type of protection	IP 44
Protection class	I
Approval	CCC; GOST

AC centrifugal fan

forward curved, single inlet
with housing (flange)

Product drawing



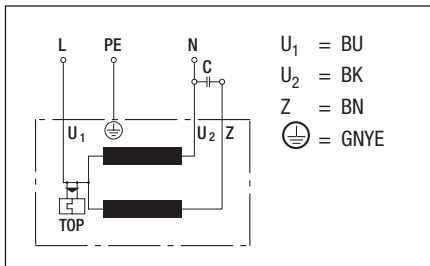
G2E140-NS38-01

AC centrifugal fan

forward curved, single inlet

with housing (flange)

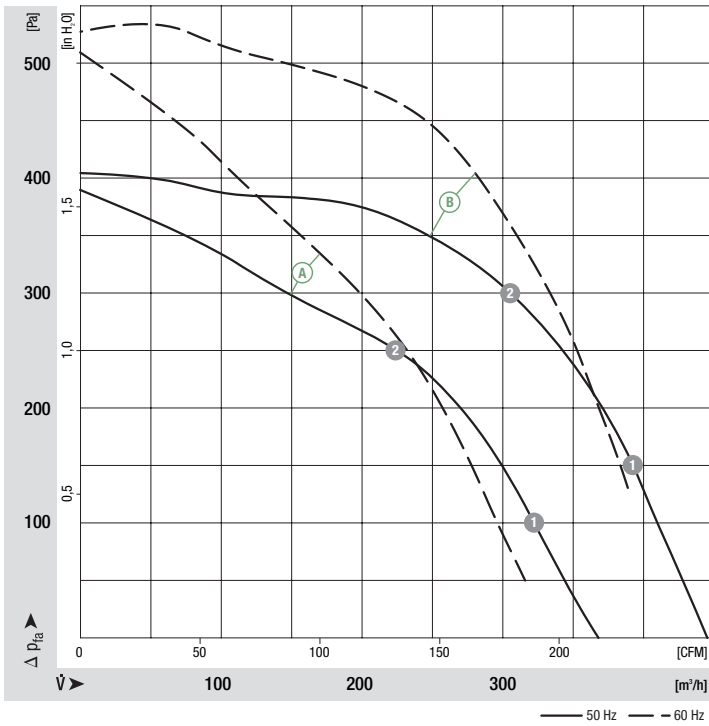
Connection screen



AC centrifugal fan

forward curved, single inlet
with housing (flange)

Charts: Air flow



Measured values

	n	P ₁	I
	[min ⁻¹]	[W]	[A]
1	1910	98	0.43
2	2280	86	0.38

AC centrifugal fan

forward curved, single inlet
with housing (flange)

Charts: Air flow 60 Hz

