

G2E140-NL33-01

# AC centrifugal fan

forward curved, single inlet

with housing (flange)



**ebm-papst Mulfingen GmbH & Co. KG**

Bachmühle 2

74673 Mulfingen

Phone: +49 7938 81-0

Fax: +49 7938 81-110

www.ebmpapst.com

info1@de.ebmpapst.com

## Nominal data

Type	G2E140-NL33-01		
Motor	M2E068-CF		
Phase		1~	1~
Nominal voltage	[V]	230	230
Frequency	[Hz]	50	60
Type of data definition		rfa	ml
Valid for approval / standard		CE	CE
Speed	[min <sup>-1</sup> ]	2000	2150
Power input	[W]	137	155
Current draw	[A]	0.6	0.68
Motor capacitor	[μF]	3	3
Capacitor voltage	[VDB]	400	400
Capacitor standard		P0 (CE)	P0 (CE)
Min. back pressure	[Pa]	0	130
Max. ambient temperature	[°C]	50	40

ml = max. load · me = max. efficiency · rfa = running at free air · cs = customer specs · cu = customer unit  
Subject to alterations

# AC centrifugal fan

forward curved, single inlet

with housing (flange)

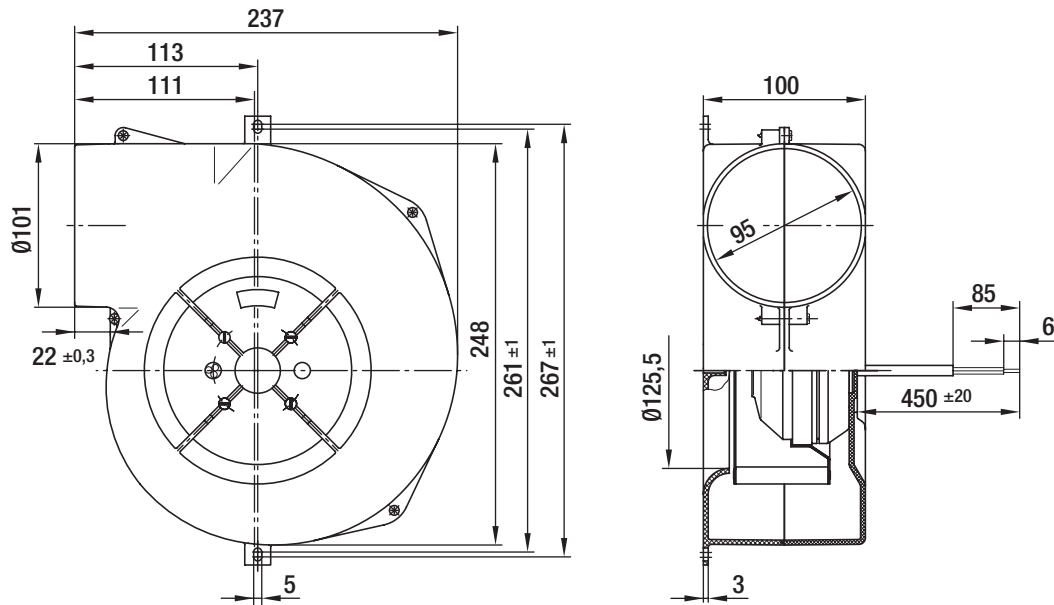
## Technical features

Leakage current	< 0,75 mA
Size	140 mm
Operation mode	Continuous operation (S1)
Direction of rotation	Clockwise, seen on rotor
Humidity class	F0
Insulation class	"B"
Cable exit	Variable
Bearing motor	Ball bearing
Mass	1.6 kg
Housing material	Heat-resistant plastic
Material of impeller	Sendzimir galvanized sheet steel
Motor protection	Thermal overload protector (TOP) wired internally
Product conforming to standard	CE
Type of protection	IP 44
Protection class	I
Approval	CCC; GOST

# AC centrifugal fan

forward curved, single inlet  
with housing (flange)

## Product drawing



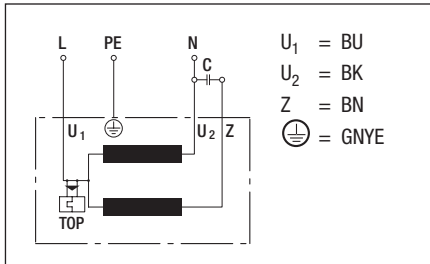
G2E140-NL33-01

# AC centrifugal fan

forward curved, single inlet

with housing (flange)

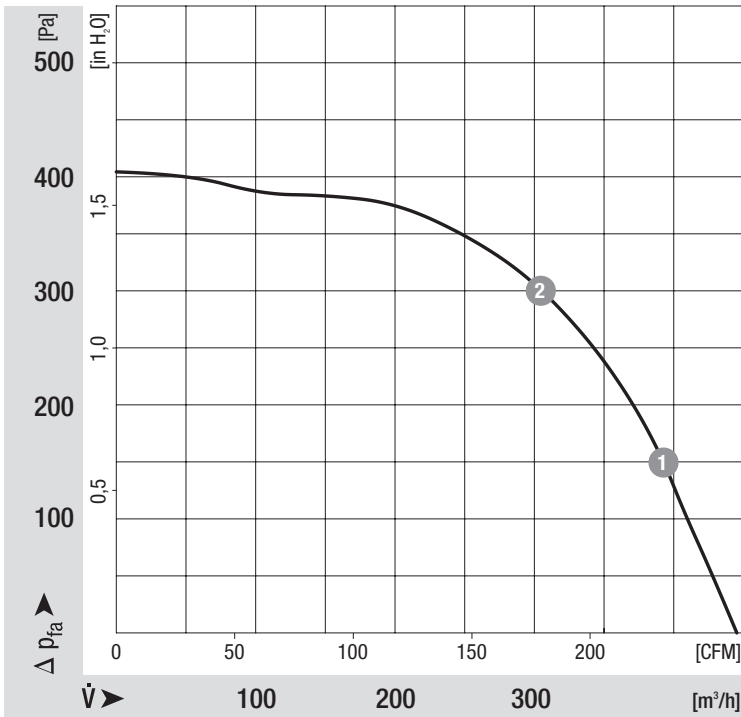
## Connection screen



# AC centrifugal fan

forward curved, single inlet  
with housing (flange)

## Charts: Air flow 50 Hz



## Measured values

	n	P <sub>1</sub>	I
	[min <sup>-1</sup> ]	[W]	[A]
1	2220	123	0.54
2	2470	105	0.46

# AC centrifugal fan

forward curved, single inlet  
with housing (flange)

## Charts: Air flow 60 Hz

