

# AC centrifugal blower

Single inlet, forward curved



- **Impeller material:** Sendzimir galvanized sheet steel
- **Housing material:** Die-cast aluminum
- **Bearings:** Maintenance-free ball bearings

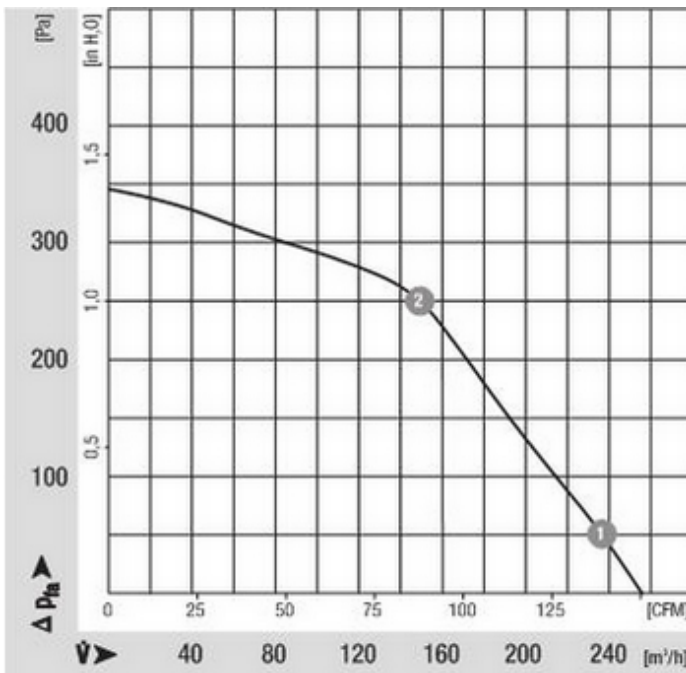
## Nominal data

Type	Motor	Voltage 1 - VAC	Frequency Hz	Air flow m <sup>3</sup> /h	Speed 1/min	Power consumption W	Current draw A	Capacitor capacity uF/V	Sound pressure level dB(A)	Operative range 50Hz Pa	Ambient temperature 50Hz °C	Weight kg
G2E120AR7701	M2E068BF	230	50	255	2350	80	0.35	2.0 / 450	61	0 .. 350	-25 .. 55	1.8

Subject to modification

Characteristic: Pressure over air flow at 50Hz

n	P <sub>1</sub>	I	LpA	ntL
[1/min]	[W]	[A]	[dBA]	[%]

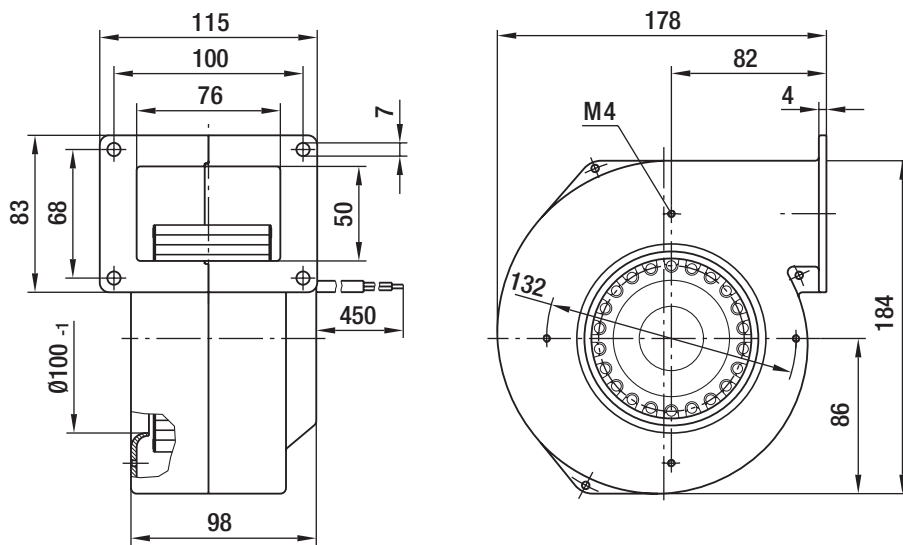


1	2460	77	--	--	--
2	2665	69	--	--	--

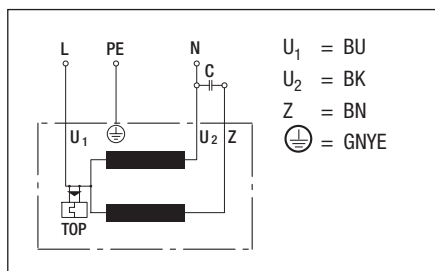
# AC centrifugal blower

Single inlet, forward curved

## Specific drawing



## Connection illustration



## Technical description

- **Impeller material:** Sendzimir galvanized sheet steel
- **Bearings:** Maintenance-free ball bearings
- **Insulation class:** "B"
- **System of protection:** IP 44
- **Housing material:** Die-cast aluminum
- **Operating mode:** S1
- **Protection class:** I
- **Approvals:** CE

## Contact

ebm-papst Mulfingen GmbH & Co. KG

Bachmühle 2

D-74673 Mulfingen

Phone +49 (0) 79 38 / 81-0

Fax +49 (0) 79 38 / 81-110

info1@de.ebmpapst.com

www.ebmpapst.com