

G2E085-AA01-01

AC centrifugal fan

forward curved, single inlet

with housing (flange)



ebm-papst Mulfingen GmbH & Co. KG

Bachmühle 2

D-74673 Mulfingen

Phone: +49(0)7938/81-0

Fax: +49(0)7938/81-110

info1@de.ebmpapst.com

www.ebmpapst.com

Nominal data

Type	G2E085-AA01-01		
Motor	M2E042-CA		
Phase		1~	1~
Nominal voltage	[V]	230	230
Frequency	[Hz]	50	60
Type of data definition		rfa	rfa
Valid for approval / standard		CE	CE
Speed	[min ⁻¹]	2350	2800
Power input	[W]	32	30
Current draw	[A]	0.15	0.14
Motor capacitor	[μF]	1	1
Capacitor voltage	[VDB]	400	400
Capacitor standard		P2 (CE)	P2 (CE)
Min. back pressure	[Pa]	0	0
Max. ambient temperature	[°C]	50	70

ml = max. load · me = max. efficiency · rfa = running at free air · cs = customer specs · cu = customer unit
Subject to alterations

AC centrifugal fan

forward curved, single inlet
with housing (flange)

Technical features

Leakage current	< 0.75 mA
Size	85 mm
Operation mode	S1
Direction of rotation	Clockwise, seen on rotor
Mounting position	Any
Insulation class	"B"
Condensate discharge holes	None
Bearing motor	Ball bearing
Mass	0.85 kg
Housing material	Die-cast aluminum
Material of impeller	Sheet steel, hot-galvanised
Motor protection	Thermal overload protector (TOP) wired internally
Product conforming to standard	CE; EN 60335-1
Surface of rotor	Partially cast in aluminium
Type of protection	IP 44; Depending on installation and position
Protection class	I
Max. permissible ambient motor temp. (transp./ storage)	+ 80 °C
Min. permissible ambient motor temp. (transp./storage)	- 40 °C
Approval	CCC

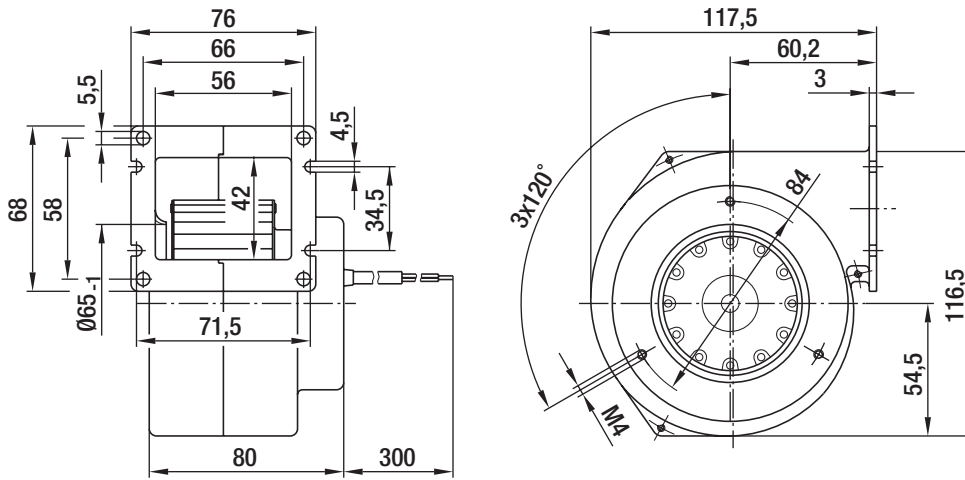
G2E085-AA01-01

AC centrifugal fan

forward curved, single inlet

with housing (flange)

Product drawing



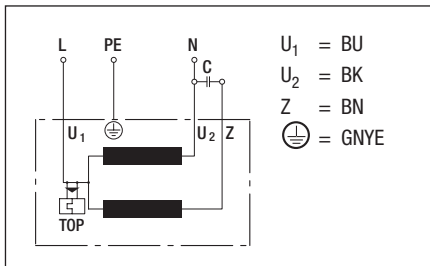
G2E085-AA01-01

AC centrifugal fan

forward curved, single inlet

with housing (flange)

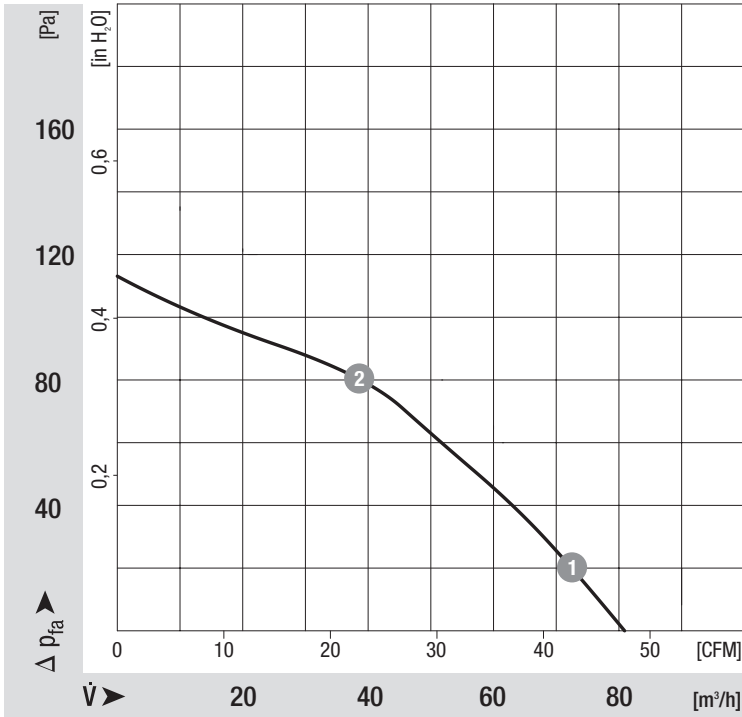
Connection screen



AC centrifugal fan

forward curved, single inlet
with housing (flange)

Charts: Air flow 50 Hz



Measured values

	f	n	P ₁	I
	[Hz]	[min ⁻¹]	[W]	[A]
1	50	2430	32	0.15
2	50	2590	30	0.14

AC centrifugal fan

forward curved, single inlet
with housing (flange)

Charts: Air flow 60 Hz

