

AC centrifugal blower

Dual inlet, forward curved



- **General description:** With flange
- **Impeller material:** PA plastic
- **Housing material:** Galvanized sheet steel

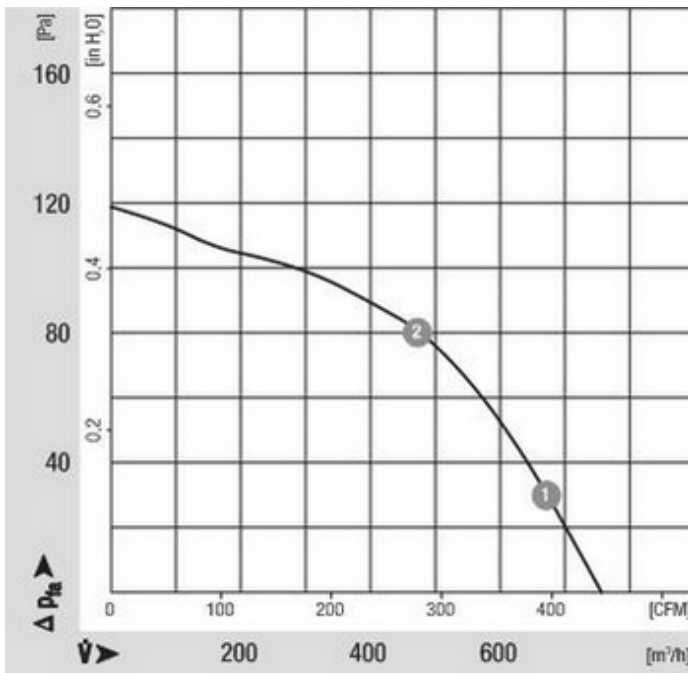
Nominal data

Type	Motor	Voltage 1 - VAC	Frequency Hz	Air flow m³/h	Speed 1/min	Power consumption W	Current draw A	Capacitor capacity uF/V	Sound pressure level dB(A)	Operative range 50Hz Pa	Ambient temperature 50Hz °C	Weight kg
D4E133DL01J5	M4E068CF	230	50	760	1230	75	0.34	2.0 / 450	55	0 .. 120	-25 .. 70	3.8

Subject to modification

Characteristic: Pressure over air flow at 50Hz

n	P ₁	I	LpA	ntL
[1/min]	[W]	[A]	[dBA]	[%]

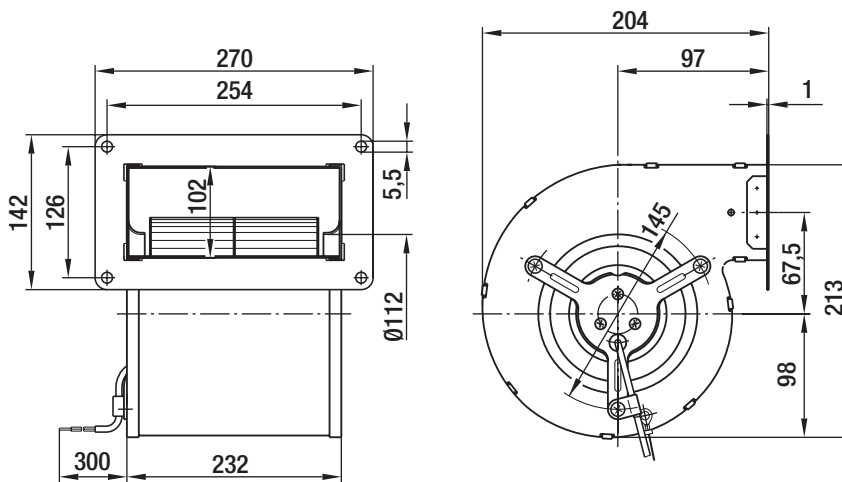


1	1280	67	0,30	--	--
2	1370	58	0,27	--	--

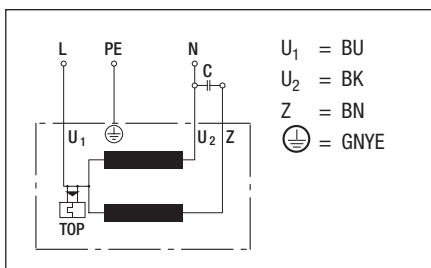
AC centrifugal blower

Dual inlet, forward curved

Specific drawing



Connection illustration



Technical description

- **General description:** With flange
- **Housing material:** Galvanized sheet steel
- **Bearings:** Maintenance-free ball bearings
- **Electrical connection:** Brass lead tips
- **Guideline:** EN 60335-1, CE
- **Insulation class:** "B"
- **System of protection:** IP 44
- **Impeller material:** PA plastic
- **Design:** SAL motor mounted on one side using brackets
- **Direction of rotation:** Clockwise, seen on rotor
- **Cable layout:** Variable
- **Operating mode:** Continuous operation (S1)
- **Protection class:** I
- **Motor protection:** TOP wired internally

Contact

ebm-papst Mulfingen GmbH & Co. KG
Bachmühle 2
D-74673 Mulfingen
Phone +49 (0) 79 38 / 81-0
Fax +49 (0) 79 38 / 81-110
info1@de.ebmpapst.com
www.ebmpapst.com