

ebm-papst Mulfingen GmbH & Co. KG

Bachmühle 2
 74673 Mulfingen
 Phone: +49 7938 81-0
 Fax: +49 7938 81-110
 www.ebmpapst.com
 info1@de.ebmpapst.com

Nominal data

Type	D4E133-DL01-H9		
Motor	M4E068-CF		
Phase		1~	1~
Nominal voltage	[V]	230	230
Frequency	[Hz]	50	60
Type of data definition		rfa	rfa
Valid for approval / standard		CE	CE
Speed	[min ⁻¹]	1230	1280
Power input	[W]	75	95
Current draw	[A]	0.34	0.43
Motor capacitor	[μF]	2	2
Capacitor voltage	[VDB]	450	450
Capacitor standard		P0 (CE)	P0 (CE)
Min. back pressure	[Pa]	0	0
Max. ambient temperature	[°C]	70	60
Air flow	[m ³ /h]	760	790
Back pressure	[Pa]	0	0
Sound pressure level	[dB(A)]	55	56

ml = max. load · me = max. efficiency · rfa = running at free air · cs = customer specs · cu = customer unit
 Subject to alterations

Technical features

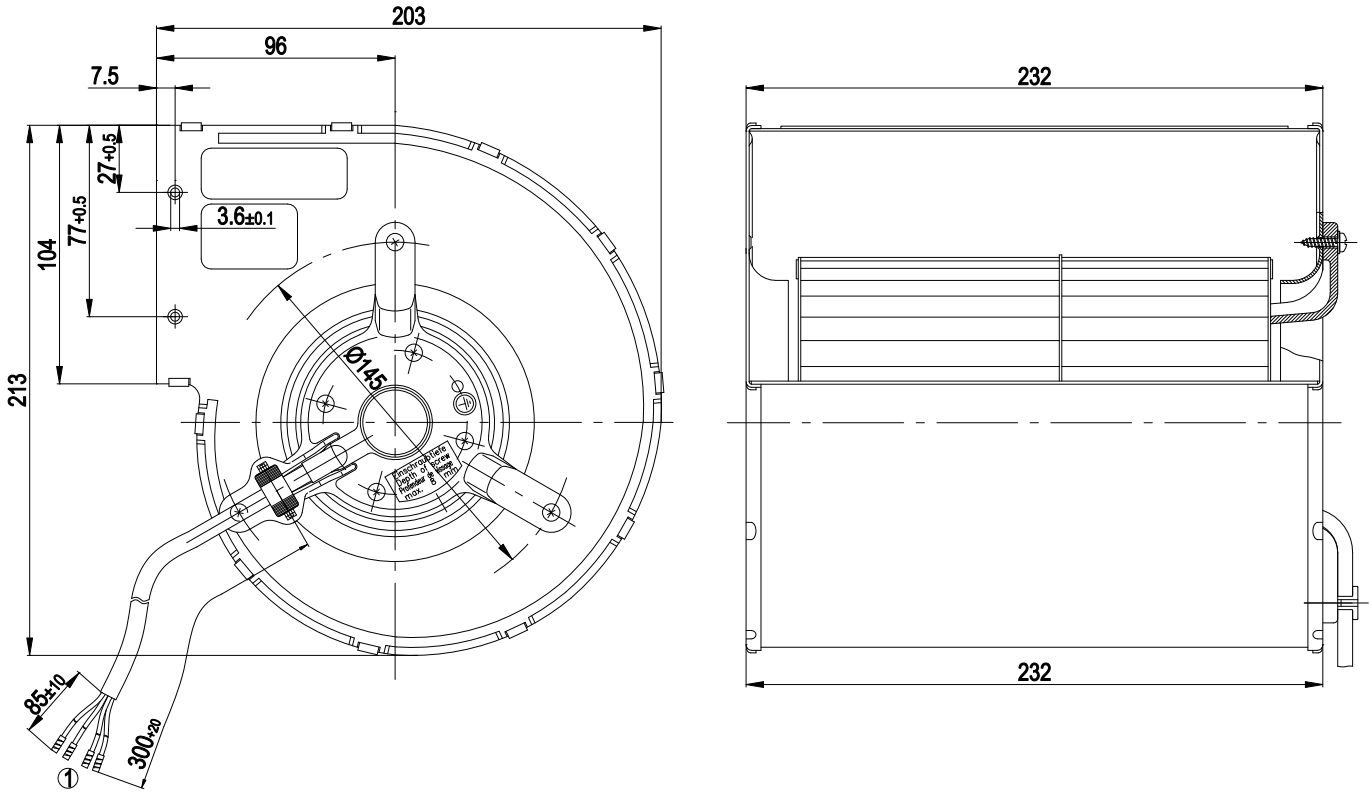
Leakage current	< 0,75 mA
Size	133 mm
Operation mode	S1
Direction of rotation	Clockwise, seen on rotor
Mounting position	Any
Insulation class	"B"
Cable exit	Variable
Condensate discharge holes	None
Bearing-motor	Ball bearing
Mass	3.0 kg
Housing material	Sheet steel, hot-dip galvanised
Material of impeller	PA plastic
Motor suspension	Motor mounted via brackets on one side
Motor protection	Thermal overload protector (TOP) wired internally
Product conforming to standard	CE; EN 60335-1
Surface of rotor	Partially cast in aluminium
Type of protection	IP 44 - depending on position
Protection class	I
Max. permissible ambient motor temp. (transp./ storage)	+ 80 °C
Min. permissible ambient motor temp. (transp./storage)	- 40 °C
Approval	CCC

D4E133-DL01-H9

AC centrifugal fan with housing (without flange)

forward curved, dual inlet

Product drawing



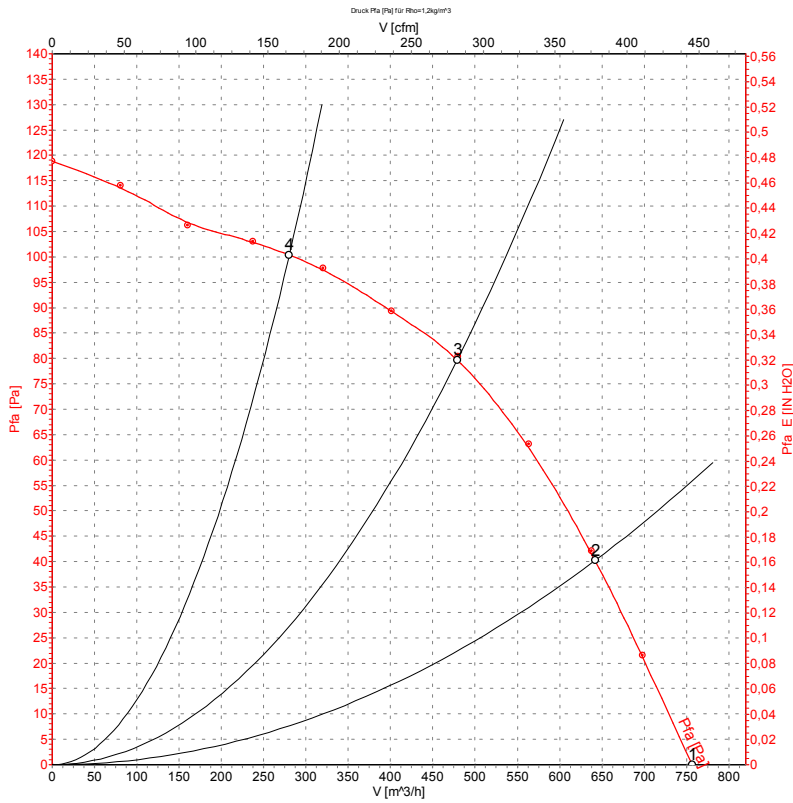
1 Connection line PVC, 4x brass lead tips crimped

Connection screen



U1	blue	Z	brown	U2	black
PE	green/yellow				

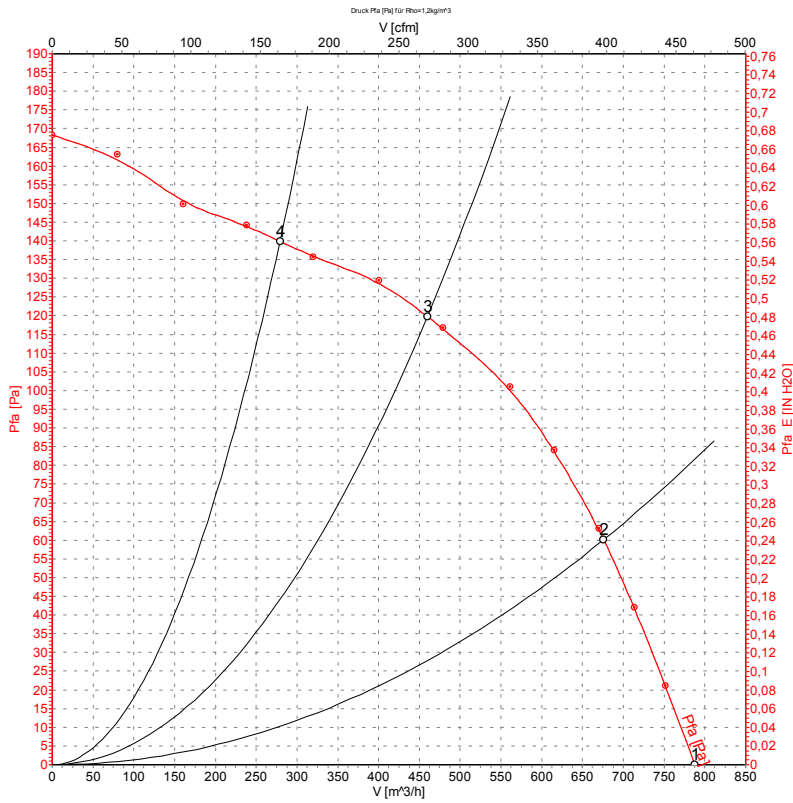
Charts: Air flow 50 Hz



Measured values

	U	f	n	P_1	I	\hat{V}	P_{fa}
	[V]	[Hz]	[min ⁻¹]	[W]	[A]	[m³/h]	[Pa]
1	230	50	1230	75	0.34	755	0
2	230	50	1300	66	0.29	640	41
3	230	50	1360	59	0.26	480	81
4	230	50	1410	53	0.24	280	100

Charts: Air flow 60 Hz



Measured values

	U	f	n	P ₁	I	Ŵ	P _{fa}
	[V]	[Hz]	[min ⁻¹]	[W]	[A]	[m³/h]	[Pa]
1	230	60	1280	95	0.43	790	0
2	230	60	1440	87	0.38	675	60
3	230	60	1585	77	0.34	460	120
4	230	60	1660	71	0.31	280	140