

AC centrifugal blower

Dual inlet, forward curved



- **General description:** With flange
- **Impeller material:** Galvanized sheet steel
- **Housing material:** Galvanized sheet steel

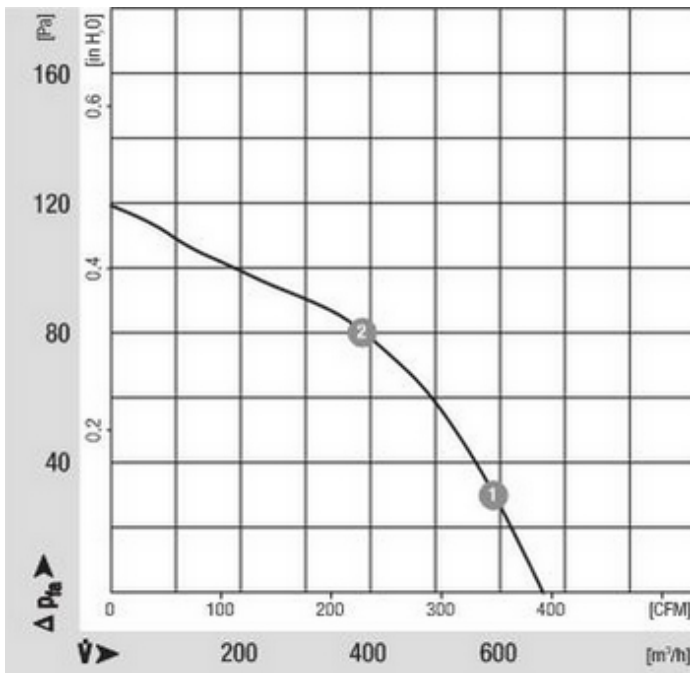
Nominal data		Voltage	Frequency	Air flow	Speed	Power consumption	Current draw	Capacitor capacity	Sound pressure level	Operative range 50Hz	Ambient temperature 50Hz	Weight
Type	Motor	1 - VAC	Hz	m ³ /h	1/min	W	A	uF/V	dB(A)	Pa	°C	kg
D4E133DH01J4	M4E068BF	230	50	670	1080	73	0.33	2.0 / 400	52	0 .. 120	-25 .. 40	3.3

Subject to modification

Characteristic: Pressure over air flow at 50Hz

n	P ₁	I	LpA	ntL
[1/min]	[W]	[A]	[dBA]	[%]

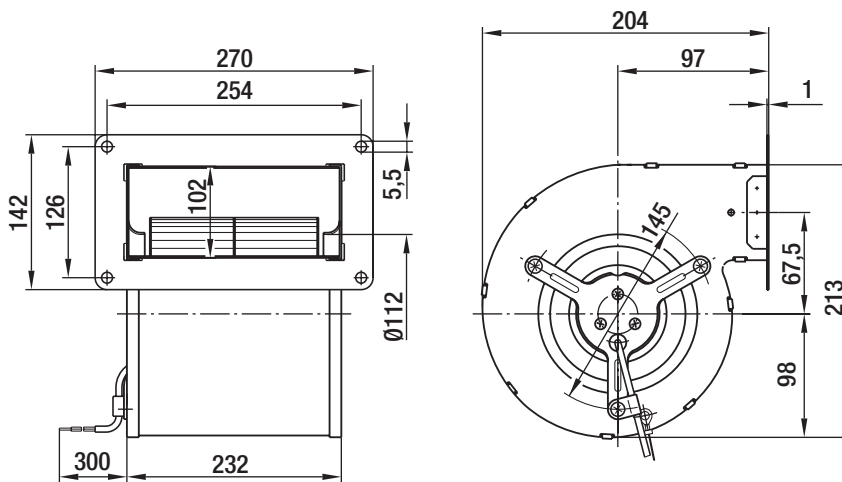
1	1150	69	0,31	--	--
2	1300	65	0,3	--	--



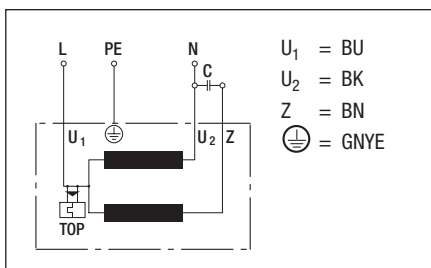
AC centrifugal blower

Dual inlet, forward curved

Specific drawing



Connection illustration



Technical description

- **General description:** With flange
- **Housing material:** Galvanized sheet steel
- **Bearings:** Maintenance-free ball bearings
- **Electrical connection:** Brass lead tips
- **Guideline:** EN 60335-1, CE
- **Insulation class:** "B"
- **System of protection:** IP 44
- **Impeller material:** Galvanized sheet steel
- **Design:** SAL motor mounted on one side using brackets
- **Direction of rotation:** Clockwise, seen on rotor
- **Cable layout:** Variable
- **Operating mode:** Continuous operation (S1)
- **Protection class:** I
- **Motor protection:** TOP wired internally

Contact

ebm-papst Mulfingen GmbH & Co. KG
Bachmühle 2
D-74673 Mulfingen
Phone +49 (0) 79 38 / 81-0
Fax +49 (0) 79 38 / 81-110
info1@de.ebmpapst.com
www.ebmpapst.com