

D4E133-DH01-J2

AC centrifugal fan

forward curved, dual inlet
with housing (without flange)



ebm-papst Mulfingen GmbH & Co. KG

Bachmühle 2

74673 Mulfingen

Phone: +49 7938 81-0

Fax: +49 7938 81-110

www.ebmpapst.com

info1@de.ebmpapst.com

Nominal data

Type	D4E133-DH01-J2		
Motor	M4E068-BF		
Phase		1~	1~
Nominal voltage	[V]	230	230
Frequency	[Hz]	50	60
Type of data definition		rfa	rfa
Valid for approval / standard		CE	CE
Speed	[min ⁻¹]	1080	1100
Power input	[W]	73	83
Current draw	[A]	0.33	0.37
Motor capacitor	[μF]	2	2
Capacitor voltage	[VDB]	400	400
Min. back pressure	[Pa]	0	0
Max. ambient temperature	[°C]	40	40

ml = max. load · me = max. efficiency · rfa = running at free air · cs = customer specs · cu = customer unit
Subject to alterations

AC centrifugal fan

forward curved, dual inlet
with housing (without flange)

Technical features

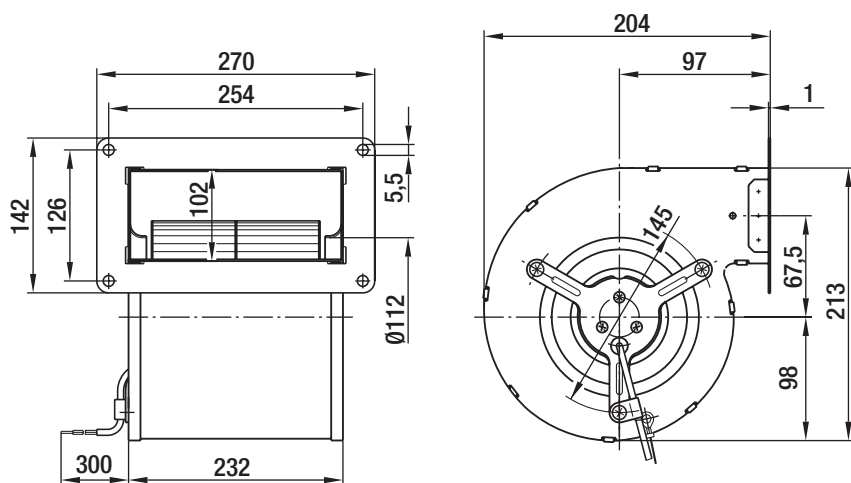
Leakage current	< 0,75 mA
General description	Without flange
Size	133 mm
Operation mode	Continuous operation (S1)
Direction of rotation	Clockwise, seen on rotor
Humidity class	F0
Insulation class	"B"
Bearing motor	Ball bearing
Mass	3.3 kg
Housing material	Sendzimir galvanized sheet steel
Material of impeller	Sendzimir galvanized sheet steel
Motor protection	Thermal overload protector (TOP) wired internally
Product conforming to standard	CE
Type of protection	IP 44
Protection class	I
Approval	CCC

D4E133-DH01-J2

AC centrifugal fan

forward curved, dual inlet
with housing (without flange)

Product drawing

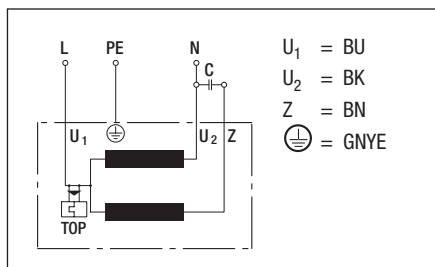


D4E133-DH01-J2

AC centrifugal fan

forward curved, dual inlet
with housing (without flange)

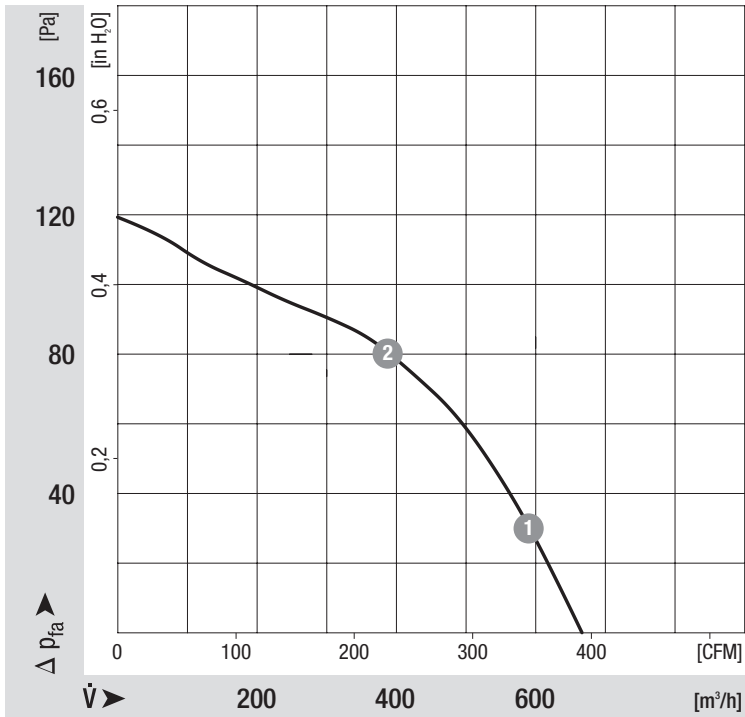
Connection screen



AC centrifugal fan

forward curved, dual inlet
with housing (without flange)

Charts: Air flow 50 Hz



Measured values

	n	P ₁	I
	[min ⁻¹]	[W]	[A]
1	1150	69	0.31
2	1300	65	0.30

AC centrifugal fan

forward curved, dual inlet
with housing (without flange)

Charts: Air flow 60 Hz

