

AC centrifugal blowers

dual inlet, Ø 160

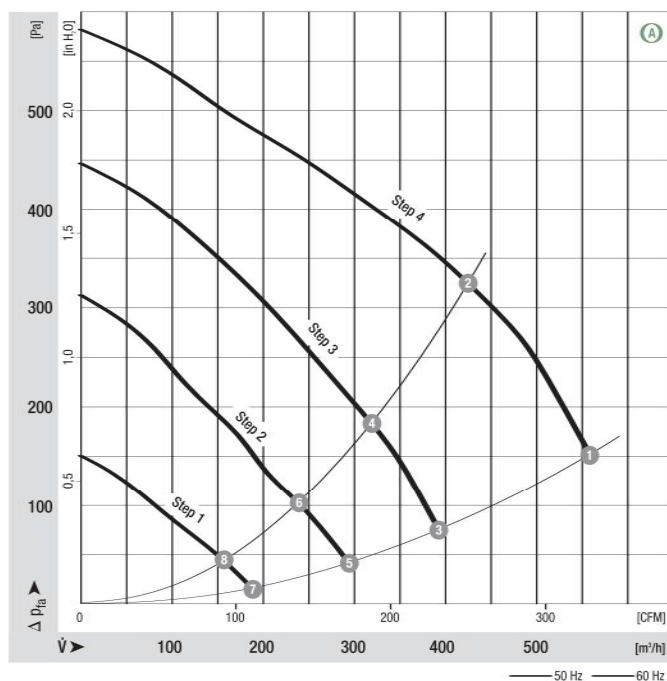


- **Material:** Housing: PP plastic, black
Impeller: Galvanised sheet steel
Rotor: Partially cast in aluminium
Terminal box: PP plastic, black
- **Direction of rotation:** Clockwise, seen on rotor
- **Type of protection:** IP 44
- **Insulation class:** "F"
- **Mounting position:** Any
- **Condensate discharges:** None
- **Mode of operation:** Continuous operation (S1)
- **Design:** 4-step blower with integrated terminal box, standard external-rotor motor anti-vibration mounted on one side
- **Bearings:** Maintenance-free ball bearings

Nominal data		Curve	Nominal voltage	Frequency	Air flow	Speed/rpm	Power input	Current draw	Capacitor	Sound pressure level	Min. back pressure	Perm. amb. temp.	Electr. connection
Type	Motor		VAC	Hz	m³/h	rpm	W	A	µF/VDB	dB(A)	Pa	°C	
D2E 160	M2E 068-CF	A	1~ 230	50	550	1400	180	0.80	4.0/400	59	150	-25 to +40	—

subject to alterations

Curves



	n [rpm]	P ₁ [W]	I [A]	Lp _A [dB(A)]
A 1	1400	180	0.80	59
A 2	1920	162	0.70	60
A 3	1010	120	0.56	48
A 4	1450	113	0.53	52
A 5	770	96	0.46	40
A 6	1115	93	0.45	44
A 7	500	76	0.38	28
A 8	740	75	0.37	34

- **Motor protection:** TOP wired internally
- **Connection leads:** Via plug
- **Protection class:** I
- **Capacitor:** FPU (P2) integrated in terminal box completely wired up and ready for plug-in
- **Product conforming to standards:** EN 60335-2-31, CE
- **Approvals:** CCC, GOST



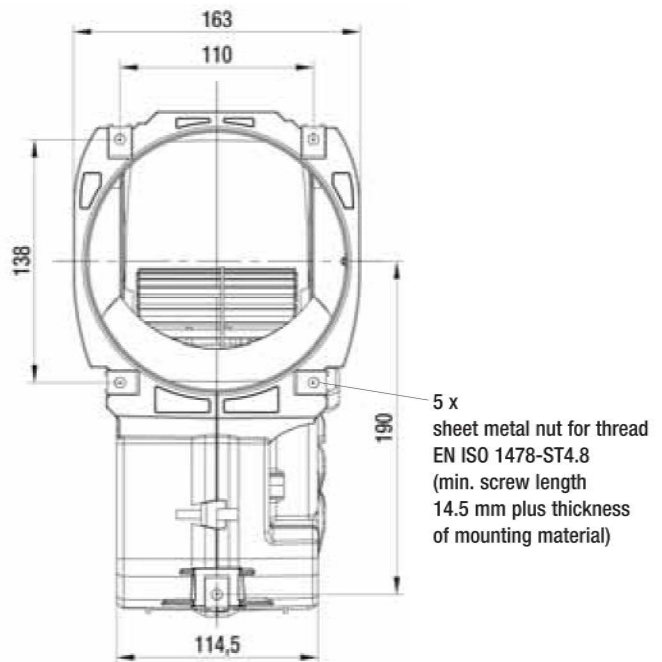
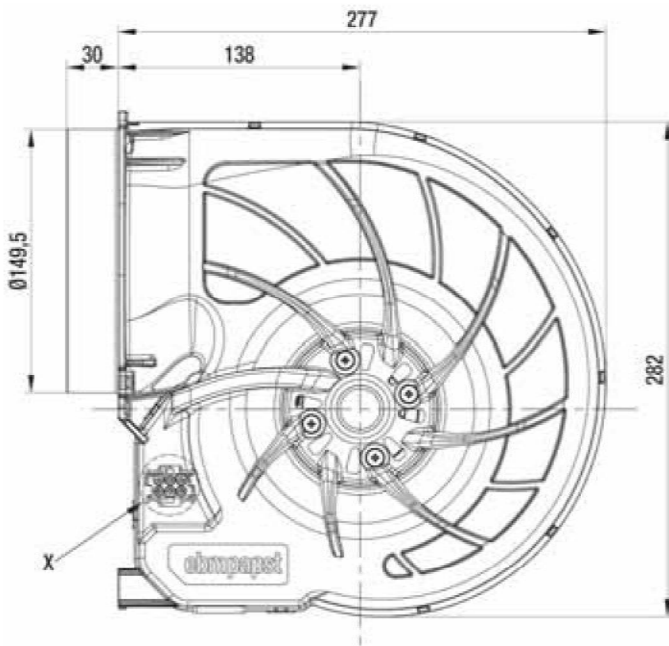
Mass of centrifugal blower

Centrifugal blower with flange

kg

D2E 160-FK11 -02

3.0



View X

AMP Universal Mate-N-Lok coded plug system
 Connector shell: AMP 926 682-3
 6 x plug pin: AMP 926 886-1

- | | | | | |
|----------------------|--------------|---|---|---|
| 1 = Step 1 (min.) | white | 3 | 2 | 1 |
| 2 = Step 2 | red | | | |
| 3 = Step 3 | grey | | | |
| 4 = Step 4 (max.) | black | | | |
| 5 = N | blue | | | |
| 6 = Protective earth | green/yellow | 6 | 5 | 4 |
-

Electrical connection:
 When changing speeds, switch must break the circuit

