

# AC centrifugal blowers

dual inlet, Ø 146



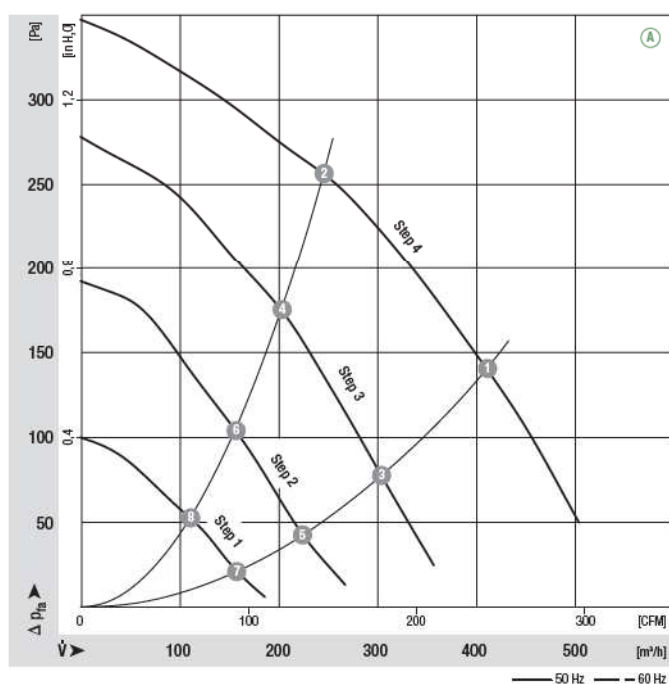
- **Material:** Housing: PP plastic, black  
Impeller: PA plastic, red-brown  
Rotor: Partially cast in aluminium  
Terminal box: PP plastic, black
- **Direction of rotation:** Clockwise, seen on rotor
- **Type of protection:** IP 44
- **Insulation class:** "F"
- **Mounting position:** Any
- **Condensate discharges:** None
- **Mode of operation:** Continuous operation (S1)
- **Design:** 4-step blower with integrated terminal box, standard external-rotor motor anti-vibration mounted via support plate
- **Bearings:** Maintenance-free ball bearings

## Nominal data

Type	Motor	Curve	Nominal voltage	Frequency	Air flow	Speed/rpm	Power input	Current draw	Capacitor	Sound pressure level	Min. back pressure	Perm. amb. temp.	Electr. connection
			VAC	Hz	m³/h	rpm	W	A	µF/VDB	dB(A)	Pa	°C	
D2E 146	M2E 068-CA	Ⓐ	1~ 230 1~ 230	50 60	520 375	1350 1400	120 125	0.53 0.55	3.0/400 3.0/400	51 53	50 100	-25 to +55 -25 to +40	—

subject to alterations

## Curves



	n [rpm]	P <sub>1</sub> [W]	I [A]	Lp <sub>A</sub> [dB(A)]
Ⓐ 1	1635	113	0.49	55
Ⓐ 2	2115	104	0.45	58
Ⓐ 3	1210	72	0.36	48
Ⓐ 4	1740	66	0.35	53
Ⓐ 5	925	58	0.31	40
Ⓐ 6	1355	55	0.30	47
Ⓐ 7	660	48	0.27	31
Ⓐ 8	960	46	0.26	38

- Motor protection: TOP wired internally
- Connection leads: Via plug
- Protection class: I
- Capacitor: FPU (P2) integrated in terminal box completely wired up and ready for plug-in
- Product conforming to standards: EN 60335-2-31, CE
- Approvals: VDE



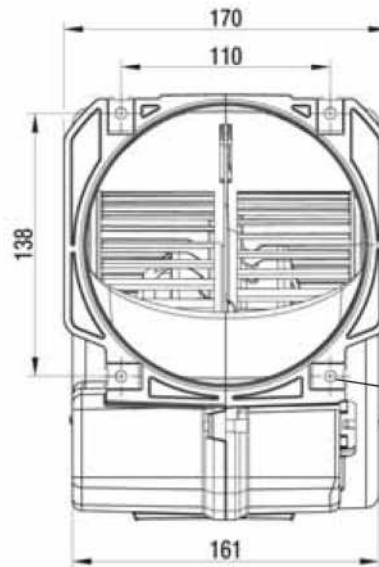
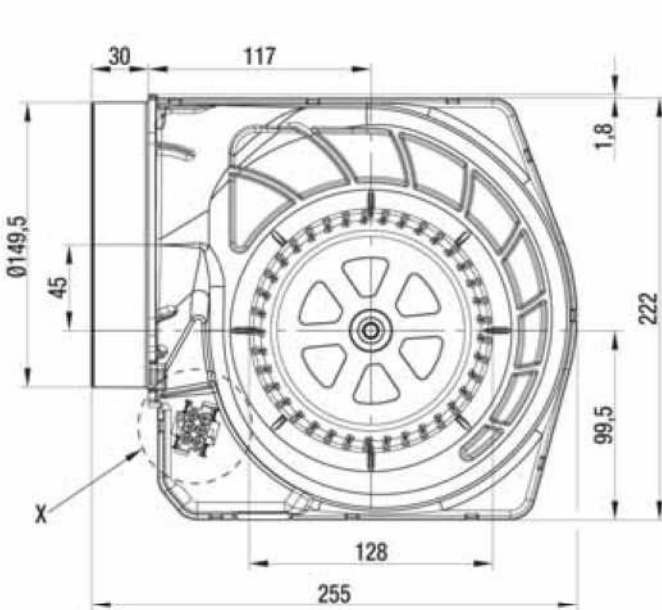
Mass of centrifugal blower

Centrifugal blower with flange

kg

D2E 146-KA45 -01

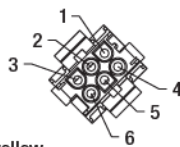
2.5



**View X**

AMP Universal Mate-N-Lok coded plug system  
 Connector shell: AMP 926 682-3  
 6 x plug pin: AMP 926 886-1

- 1 = Step 1 (min.) white
- 2 = Step 2 red
- 3 = Step 3 grey
- 4 = Step 4 (max.) black
- 5 = N blue
- 6 = Protective earth green/yellow



**Electrical connection:**  
 When changing speeds, switch must break the circuit

