

# AC centrifugal blowers

dual inlet, Ø 146

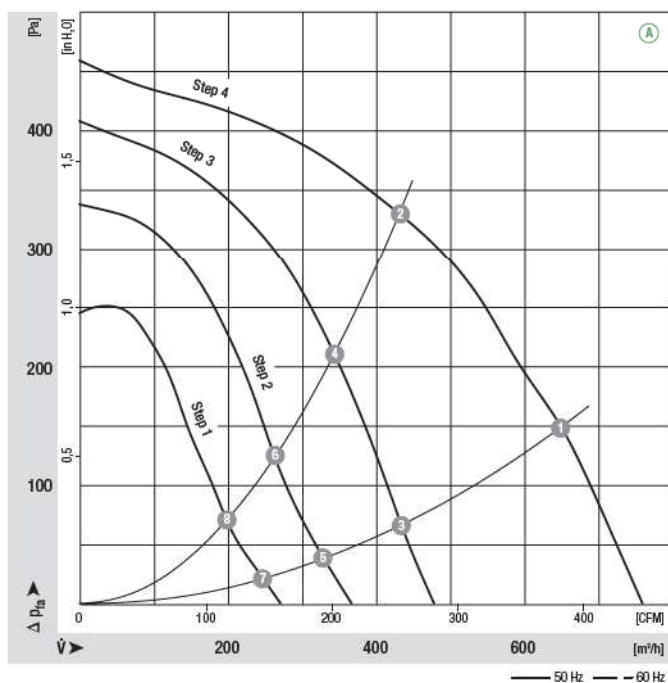


- **Material:** Housing: PP plastic, black  
Impeller: PP plastic, white  
Rotor: Partially cast in aluminium  
Terminal box: PP plastic, black
- **Direction of rotation:** Counter-clockwise, seen on plug
- **Type of protection:** IP 20
- **Insulation class:** "F"
- **Mounting position:** Any
- **Condensate discharges:** None
- **Mode of operation:** Continuous operation (S1)
- **Design:** 4-step blower with integrated terminal box, EW motor
- **Bearings:** Maintenance-free ball bearings

Nominal data		Curve	Nominal voltage	Frequency	Air flow	Speed/rpm	Power input	Current draw	Capacitor	Sound pressure level	Min. back pressure	Perm. amb. temp.	Electr. connection
Type	Motor		VAC	Hz	m³/h	rpm	W	A	µF/VDB	dB(A)	Pa	°C	
D2E 146	M2E 068-DF	Ⓐ	1~ 230 1~ 230	50 60	755 580	1350 1750	195 215	0.86 0.94	5.0/400 5.0/400	57 54	0 150	-25 to +55 -25 to +40	—

subject to alterations

## Curves



	n [rpm]	P <sub>1</sub> [W]	I [A]	Lp <sub>A</sub> [dB(A)]
Ⓐ 1	1790	185	0.81	56
Ⓐ 2	2290	164	0.72	59
Ⓐ 3	1210	125	0.60	45
Ⓐ 4	1820	112	0.57	52
Ⓐ 5	910	106	0.52	38
Ⓐ 6	1415	100	0.50	45
Ⓐ 7	710	94	0.47	30
Ⓐ 8	1055	91	0.46	38

- Motor protection: TOP wired internally
- Connection leads: Via plug
- Protection class: I
- Capacitor: FPU (P2) integrated in terminal box completely wired up and ready for plug-in
- Product conforming to standards: EN 60335-2-31, CE
- Approvals: VDE, GOST



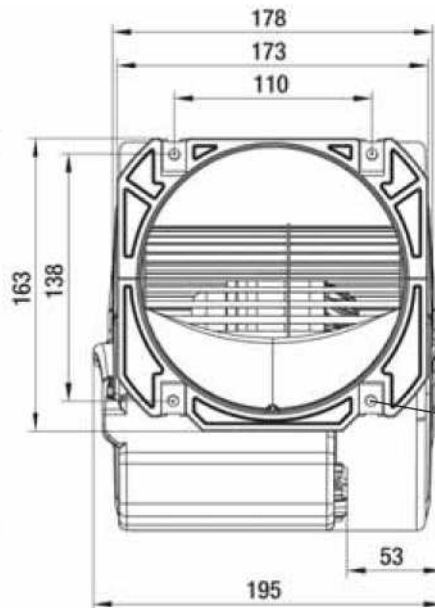
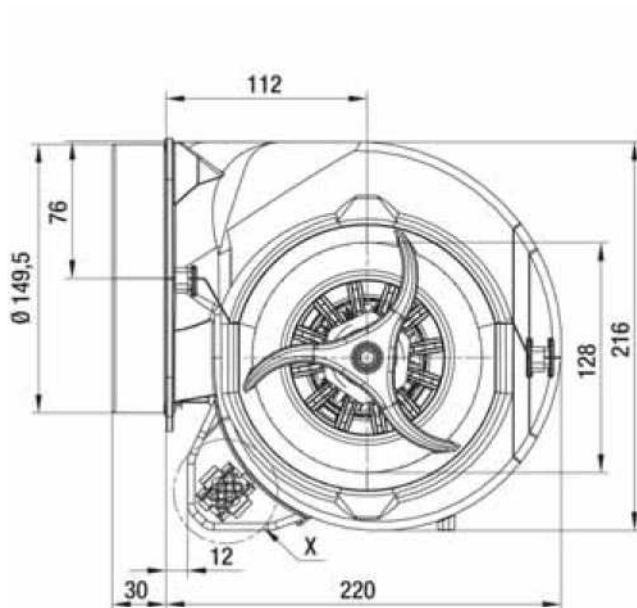
Mass of centrifugal blower

Centrifugal blower with flange

kg

D2E 146-HS97 -03

3.5

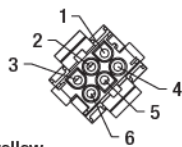


4 x sheet metal nut for thread EN ISO 1478-ST4.8 (min. screw length 14.5 mm plus thickness of mounting material)

**View X**

AMP Universal Mate-N-Lok coded plug system  
 Connector shell: AMP 926 682-3  
 6 x plug pin: AMP 926 886-1

- 1 = Step 1 (min.) white
- 2 = Step 2 red
- 3 = Step 3 grey
- 4 = Step 4 (max.) black
- 5 = N blue
- 6 = Protective earth green/yellow



**Electrical connection:**  
 When changing speeds, switch must break the circuit

