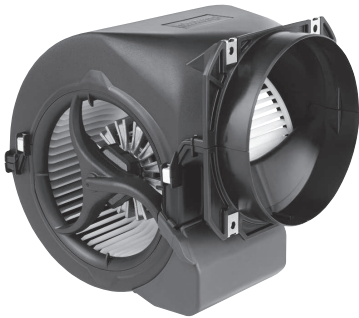


D2E146-HR93-03

AC centrifugal fan

forward curved, dual inlet
with housing (flange)



ebm-papst Mulfingen GmbH & Co. KG

Bachmühle 2

D-74673 Mulfingen

Phone: +49(0)7938/81-0

Fax: +49(0)7938/81-110

info1@de.ebmpapst.com

www.ebmpapst.com

Nominal data

Type	D2E146-HR93-03		
Motor	M2E068-CF		
Phase		1~	1~
Nominal voltage	V	230	230
Frequency	Hz	50	60
Type of data definition		rfa	ml
Valid for approval / standard		CE	CE
Speed	min ⁻¹	1100	1600
Power input	W	150	160
Current draw	A	0.66	0.71
Motor capacitor	µF	4	4
Capacitor voltage	VDB	400	400
Capacitor standard		P2 (CE)	P2 (CE)
Min. back pressure	Pa	0	150
Max. ambient temperature	°C	50	45

ml = max. load · me = max. efficiency · rfa = running at free air · cs = customer specs · cu = customer unit
Subject to alterations

AC centrifugal fan

forward curved, dual inlet
with housing (flange)

Technical features

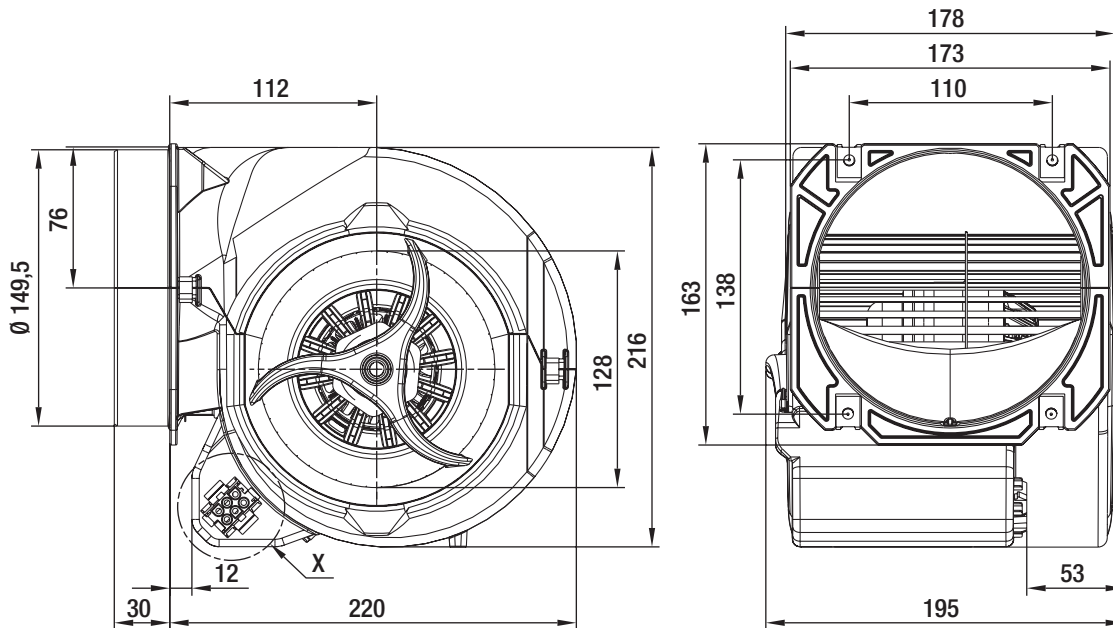
Leakage current	< 0.75 mA
Size	146 mm
Operation mode	Continuous operation (S1)
Direction of rotation	Counter-clockwise, seen on rotor
Speed steps	4
Electrical leads	Via terminal box, integrated capacitor connected via terminal box; With plug
Humidity class	F0
Insulation class	"F"
Cable exit	Variable
Motor bearing	Ball bearing
Mass	3.0 kg
Housing material	PP plastic, black
Material of impeller	PP plastic, white
Motor protection	Thermal overload protector (TOP) wired internally
Product conforming to standard	CE
Type of protection	IP 20
Protection class	I
Approval	CCC; GOST; VDE

D2E146-HR93-03

AC centrifugal fan

forward curved, dual inlet
with housing (flange)

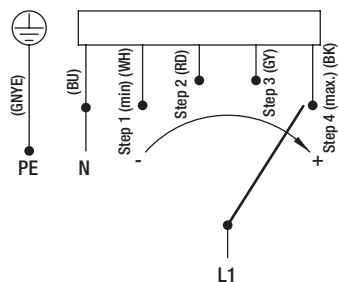
Product drawing



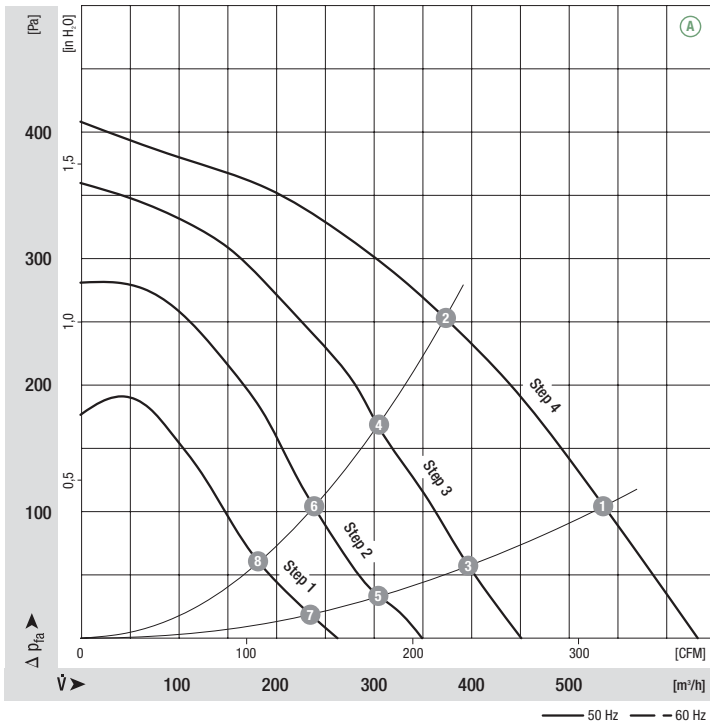
AC centrifugal fan

forward curved, dual inlet
with housing (flange)

Connection screen



Charts: Air flow



Measured values

	n	P ₁	I	LpA _{in}
	min ⁻¹	W	A	dB(A)
1	1490	143	0.62	51
2	2005	133	0.59	55
3	1110	98	0.49	47
4	1635	92	0.47	49
5	890	81	0.42	37
6	1315	77	0.42	43
7	680	69	0.38	31
8	990	67	0.37	35