

D2E133-DM47-23

AC centrifugal fan

forward curved, dual inlet
with housing (flange)



ebm-papst Mulfingen GmbH & Co. KG

Bachmühle 2

74673 Mulfingen

Phone: +49 7938 81-0

Fax: +49 7938 81-110

www.ebmpapst.com

info1@de.ebmpapst.com

Nominal data

Type	D2E133-DM47-23		
Motor	M2E068-DF		
Phase		1~	1~
Nominal voltage	[V]	230	230
Frequency	[Hz]	50	60
Type of data definition		ml	ml
Valid for approval / standard		CE	CE
Speed	[min ⁻¹]	1650	2200
Power input	[W]	175	185
Current draw	[A]	0.78	0.82
Motor capacitor	[μF]	3	3
Capacitor voltage	[VDB]	450	450
Min. back pressure	[Pa]	100	250
Max. ambient temperature	[°C]	40	40

ml = max. load · me = max. efficiency · rfa = running at free air · cs = customer specs · cu = customer unit
Subject to alterations

AC centrifugal fan

forward curved, dual inlet
with housing (flange)

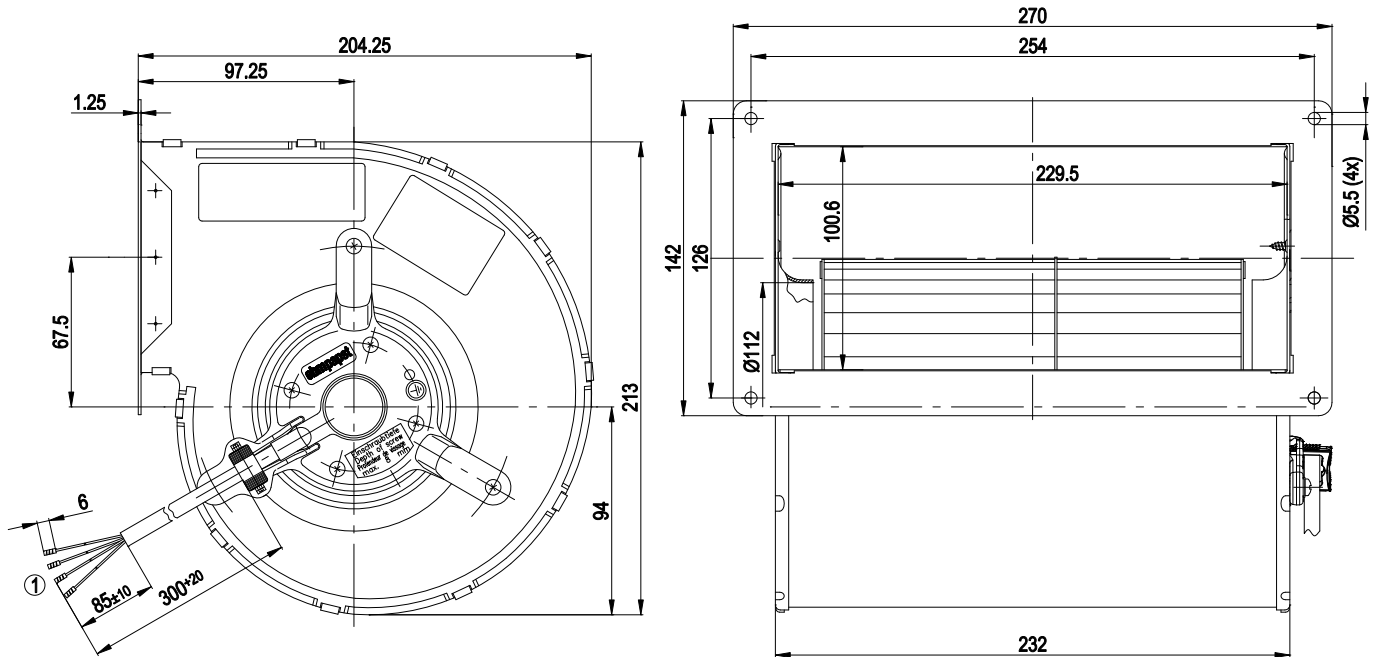
Technical features

Leakage current	< 0.75 mA
General description	With flange
Size	133 mm
Operation mode	S1
Direction of rotation	Clockwise, seen on rotor
Mounting position	Any
Humidity class	F0
Insulation class	"B"
Cable exit	Axial
Condensate discharge holes	None
Bearing motor	Ball bearing
Mass	4. kg
Housing material	Sheet steel, hot-galvanised
Material of impeller	Sheet steel, hot-galvanised
Motor suspension	Motor mounted via brackets on one side
Motor protection	Thermal overload protector (TOP) wired internally
Product conforming to standard	CE; EN 60335-1
Surface of rotor	Partially cast in aluminium
Type of protection	IP 44; Depending on installation and position
Protection class	I
Max. permissible ambient motor temp. (transp./ storage)	+ 80 °C
Min. permissible ambient motor temp. (transp./storage)	- 40 °C
Approval	CCC; GOST

AC centrifugal fan

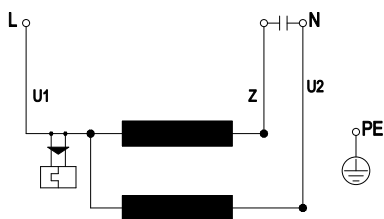
forward curved, dual inlet
with housing (flange)

Product drawing



1 Connection line PVC 0.5mm², 4x brass lead tips crimped

Connection screen

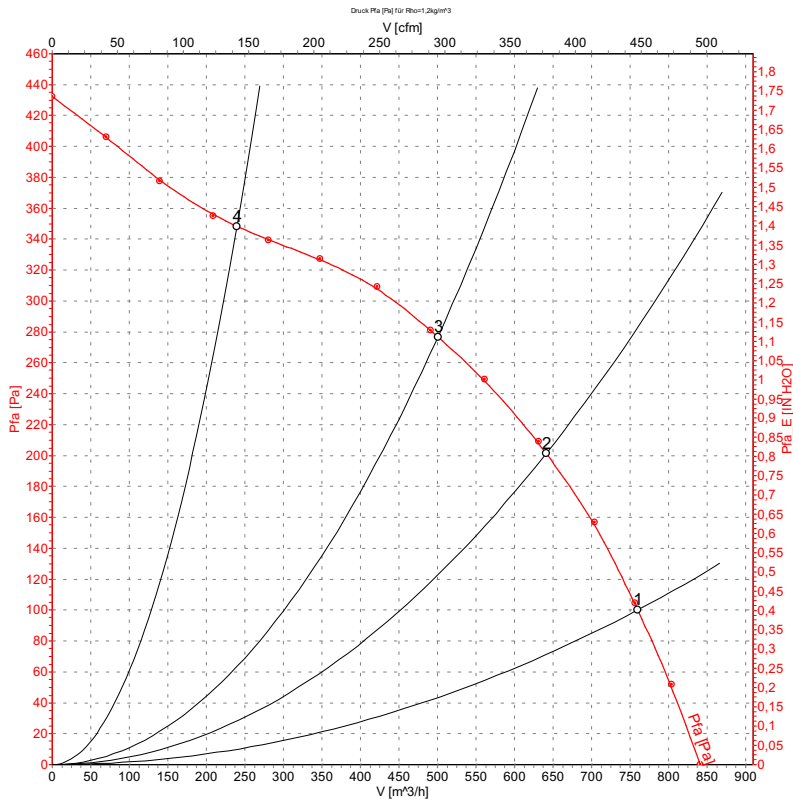


U1	blue	Z	brown	U2	black
PE	green/yellow				

AC centrifugal fan

forward curved, dual inlet
with housing (flange)

Charts: Air flow 50 Hz



Measurement: LU-105266

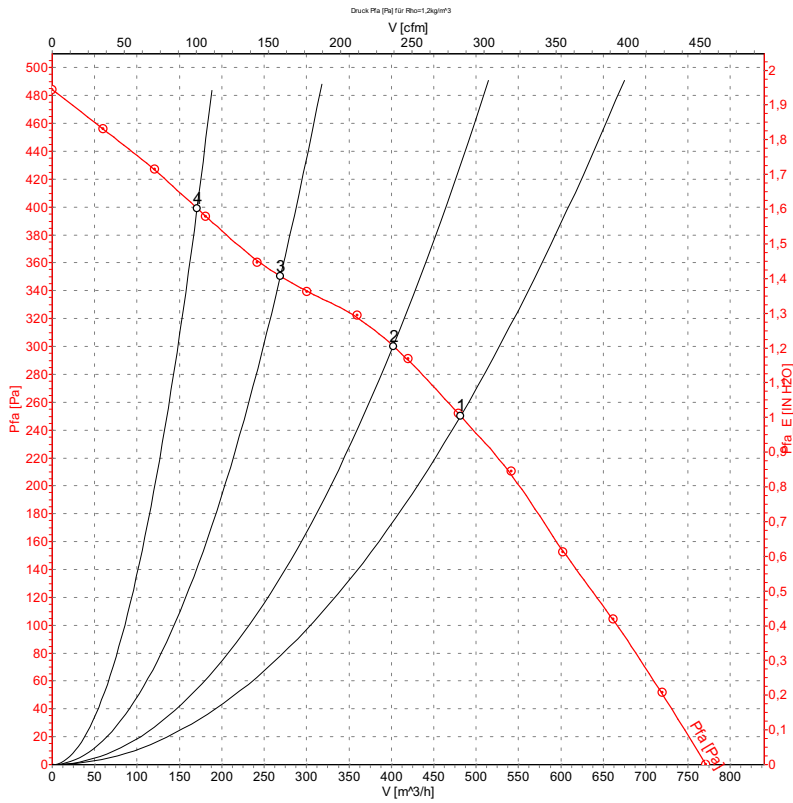
Measured values

	U	f	n	P ₁	I	Ŷ	p _{fa}
	[V]	[Hz]	[min ⁻¹]	[W]	[A]	[m ³ /h]	[Pa]
1	230	50	1650	175	0.78	760	100
2	230	50	1990	162	0.70	640	200
3	230	50	2275	146	0.63	500	275
4	230	50	2530	125	0.54	240	350

AC centrifugal fan

forward curved, dual inlet
with housing (flange)

Charts: Air flow 60 Hz



Measured values

	U	f	n	P ₁	I	\hat{V}	P _{fa}
	[V]	[Hz]	[min ⁻¹]	[W]	[A]	[m ³ /h]	[Pa]
1	230	60	2200	185	0.82	480	250
2	230	60	2360	181	0.78	400	300
3	230	60	2555	175	0.76	270	350
4	230	60	2685	171	0.74	170	400