

# AC axial fans

S series, Ø 400



- **Material:** Guard grille: Steel, phosphated and coated in black plastic  
Wall ring: Sheet steel, pre-galvanised and coated in black plastic  
Blades: Sheet steel, coated in black  
Rotor: Coated in black
- **Number of blades:** 5
- **Direction of rotation:** Direction of air flow "V" counter-clockwise, direction of air flow "A" counter-clockwise, seen on rotor
- **Type of protection:** IP 44
- **Insulation class:** (A) (B) "B", (C) "F"
- **Mounting position:** Shaft horizontal or rotor on bottom; rotor on top on request
- **Condensate discharges:** Rotor-side
- **Mode of operation:** Continuous operation (S1)
- **Bearings:** Maintenance-free ball bearings

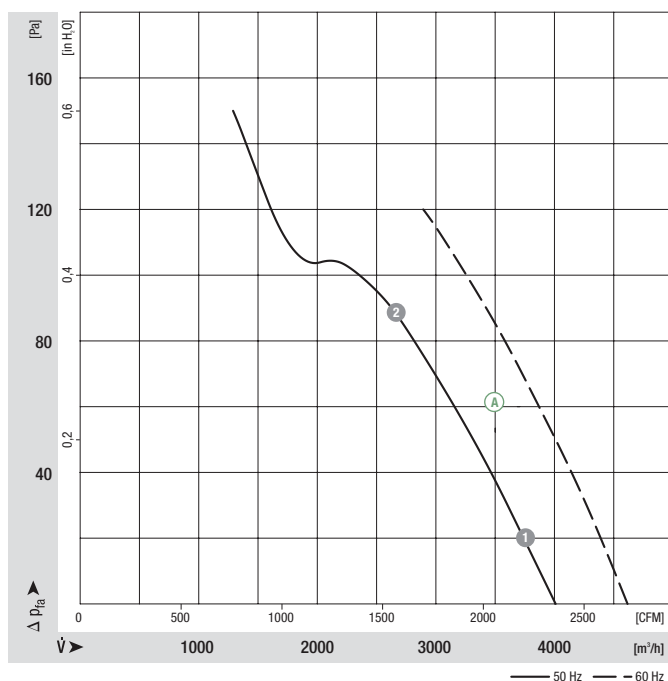
Nominal data		Curve	Nominal voltage	Frequency	Air flow	Speed/rpm	Power input	Current draw	Capacitor	Sound pressure level	Max. operative range	Perm. amb. temp.	Mass without attachments	Electr. connection
Type	Motor	VAC	Hz	m³/h	rpm	W	A	µF/VDB	dB(A)	Pa	°C	kg	p. 416 f.	
*4D 400 (1)(2)	M4D 074-EI	(A) 3~	230/400	50	4000	1450	135	0.76/0.44	—	68	150	-25 to +40	4.2	C1)/C2)
		3~	230/400	60	4610	1690	185	0.68/0.39	—	72	120	-25 to +40		
*4E 400	M4E 074-EI	(B) 1~	230	50	4235	1430	160	0.73	6.0/400	69	150	-25 to +40	4.2	A1)
		1~	230	60	4950	1700	240	1.06	6.0/400	73	75	-25 to +40		
*6E 400	M6E 074-DF	(C) 1~	230	50	3290	940	120	0.55	3.0/450	59	50	-25 to +40	4.0	A1)
		1~	230	60	3780	1080	170	0.75	3.0/400	62	40	-25 to +60		

subject to alterations

(1) 400 VAC Δ/Y for two speed steps available on request

(2) 230 VAC Δ / 400 VAC Y

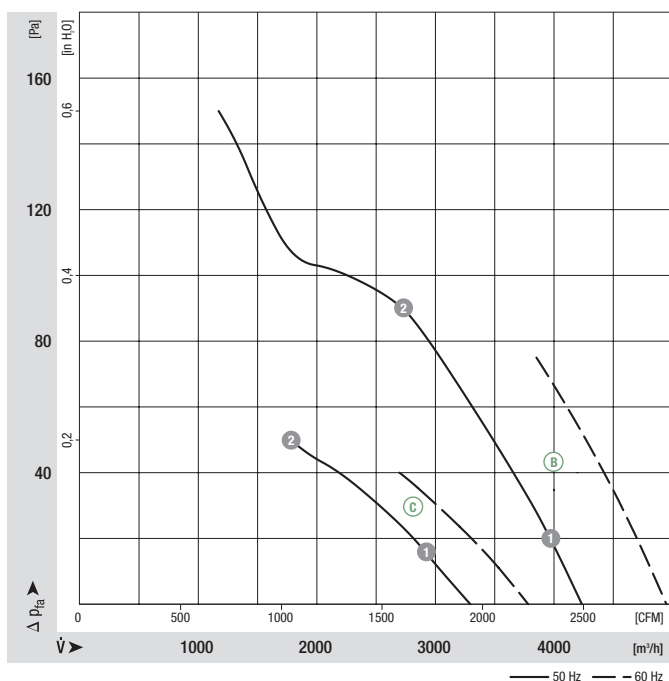
## Curves



- **Motor protection:** (A) Without TOP, (B) (C) TOP wired internally
- **Cable exit:** Variable
- **Protection class:** I
- **Product conforming to standards:** EN 60335-1, (B) (C) also CE
- **Approvals:** CCC
- **Options:** Terminal box

Direction of air flow					
	< "V"/"A" > Without attachments	< "V"/"A" > With full round nozzle	< "V"/"A" > With guard grille for full nozzle	< "V"/"A" > With guard grille for short nozzle	< "V" > In-line duct fan
"V"	A4D 400-AP12 -01	W4D 400-CP12 -30	S4D 400-BP12 -30	S4D 400-AP12 -03	W4D 400-IP12 -01
"A"	A4D 400-AP12 -02	W4D 400-CP12 -31	S4D 400-BP12 -31	S4D 400-AP12 -04	—
"V"	A4E 400-AP02 -01	W4E 400-CP02 -30	S4E 400-BP02 -30	S4E 400-AP02 -03	W4E 400-IP02 -01
"A"	A4E 400-AP02 -02	W4E 400-CP02 -31	S4E 400-BP02 -31	S4E 400-AP02 -04	—
"V"	A6E 400-AP10 -01	W6E 400-CP10 -30	S6E 400-BP10 -30	S6E 400-AP10 -30	—
"A"	A6E 400-AP10 -02	W6E 400-CP10 -31	S6E 400-BP10 -31	S6E 400-AP10 -31	—

### Curves



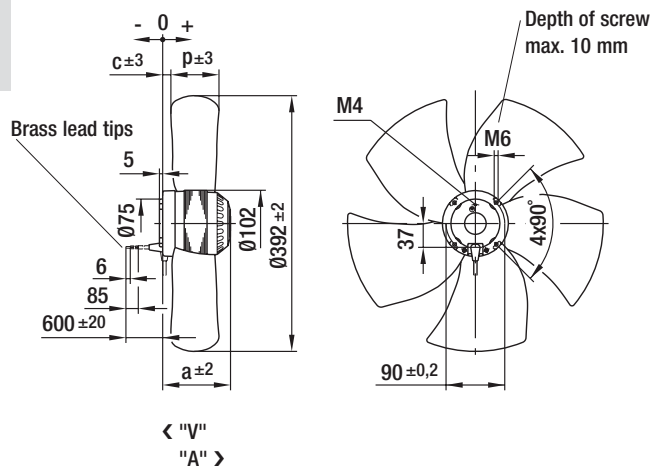
	n [rpm]	P <sub>1</sub> [W]	I [A]
(B) 1	1430	172	0.78
(B) 2	1395	210	0.93
(C) 1	935	126	0.57
(C) 2	895	140	0.62

# AC axial fans

S series, Ø 400, drawings of directions of air flow "V" and "A"



## Without attachments

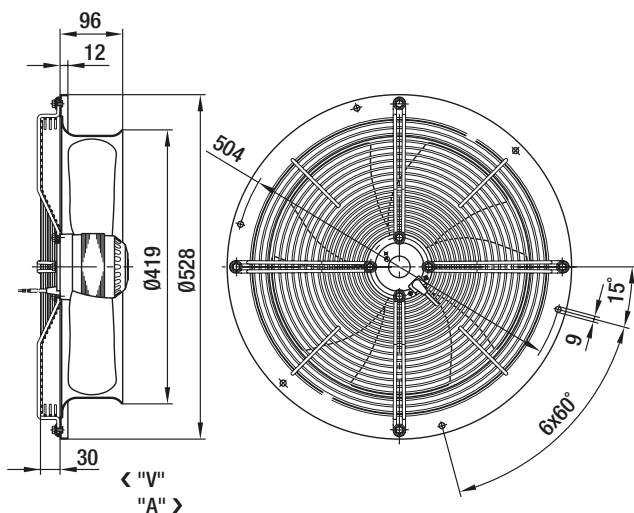


### Type

Type		a	c	p
A4D 400-AP12 -01	"V"	117.0	26.0	68.0
A4D 400-AP12 -02	"A"	117.0	22.0	68.0
A4E 400-AP02 -01	"V"	117.0	26.0	68.0
A4E 400-AP02 -02	"A"	117.0	22.0	68.0
A6E 400-AP10 -01	"V"	104.0	-5.0	90.0
A6E 400-AP10 -02	"A"	104.0	14.0	88.0



## With full round nozzle

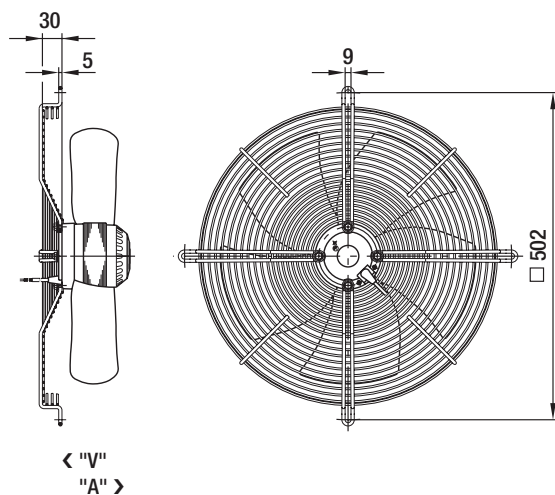


### Type

W4D 400-CP12 -30	"V"
W4D 400-CP12 -31	"A"
W4E 400-CP02 -30	"V"
W4E 400-CP02 -31	"A"
W6E 400-CP10 -30	"V"
W6E 400-CP10 -31	"A"



## With guard grille for full nozzle

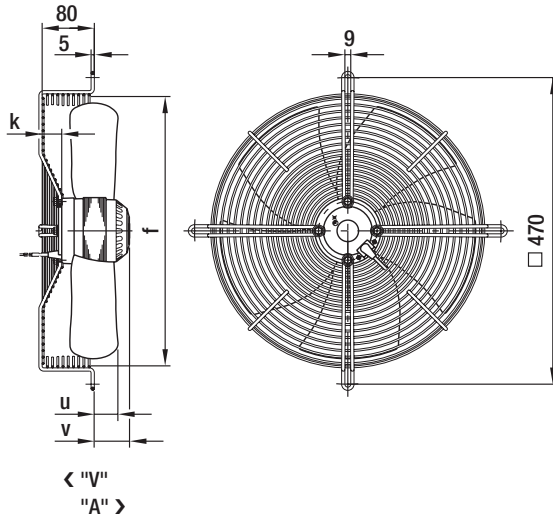


### Type

S4D 400-BP12 -30	"V"
S4D 400-BP12 -31	"A"
S4E 400-BP02 -30	"V"
S4E 400-BP02 -31	"A"
S6E 400-BP10 -30	"V"
S6E 400-BP10 -31	"A"

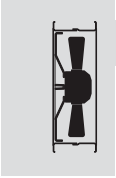


**With guard grille for short nozzle**

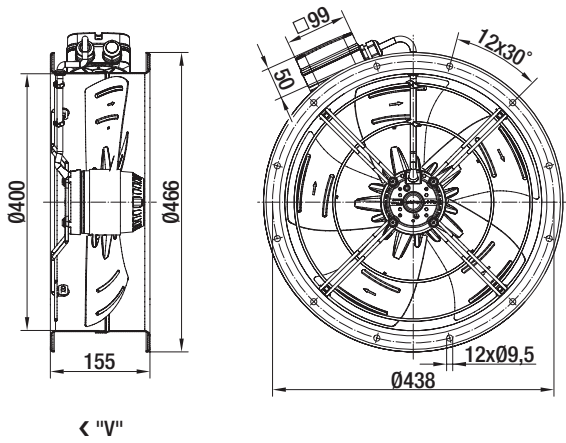


**Type**

		f	k	u	v
S4D 400-AP12 -03	"V"	420.0	10.0	24.0	47.0
S4D 400-AP12 -04	"A"	420.0	10.0	20.0	47.0
S4E 400-AP02 -03	"V"	420.0	10.0	24.0	47.0
S4E 400-AP02 -04	"A"	420.0	10.0	20.0	47.0
S6E 400-AP10 -30	"V"	414.0	30.0	35.0	54.0
S6E 400-AP10 -31	"A"	414.0	30.0	52.0	54.0



**In-line duct fan**



**Type**

W4D 400-IP12 -01	"V"
W4E 400-IP02 -01	"V"