



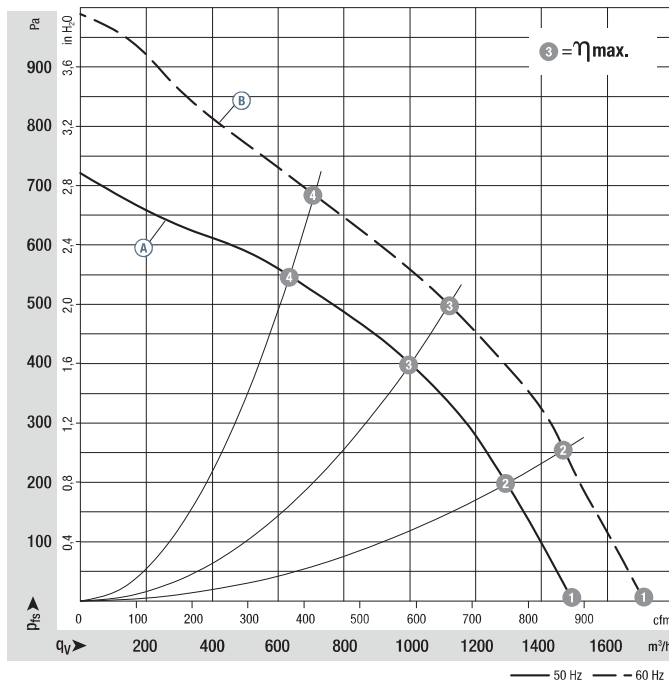
- **Material:** Impeller: Plastic PA 6, fibreglass-reinforced  
Rotor: Coated in black
- **Number of blades:** 7
- **Direction of rotation:** Clockwise, seen on rotor
- **Type of protection:** IP 44, depending on installation and position in acc. to EN 60034-5
- **Insulation class:** "F"
- **Mounting position:** Shaft horizontal or rotor on bottom, rotor on top on request
- **Condensate discharges:** Rotor-side
- **Mode of operation:** Continuous operation (S1)
- **Bearings:** Maintenance-free ball bearings

Nominal data		Curve	Nominal voltage	Frequency	Speed/rpm <sup>(1)</sup>	Max. input power <sup>(1)</sup>	Max. current draw <sup>(1)</sup>	Capacitor	Perm. amb. temp.	Electrical connection
Type	Motor	VAC	Hz	rpm	W	A	µF/VDB	°C	p. 170	
*2E 250	M2E 074-EI	Ⓐ 1~ 230	50	2750	250	1,10	5,0 / 450	-25..+70	A1)	
		Ⓑ 1~ 230	60	3100	390	1,71	5,0 / 450	-25..+55		

subject to alterations

(1) Nominal data in operating point with maximum load and 230 VAC

### Curves:



	n rpm	P <sub>ed</sub> W	I A	L <sub>WA</sub> dB(A)
Ⓐ ①	2800	215	0,95	78
Ⓐ ②	2790	235	1,05	74
Ⓐ ③	2750	250	1,10	71
Ⓐ ④	2800	230	1,00	74
Ⓑ ①	3200	345	1,50	81
Ⓑ ②	3150	370	1,60	77
Ⓑ ③	3100	390	1,71	73
Ⓑ ④	3140	370	1,60	79

Air performance measured as per: ISO 5801, Installation category A, with ebm-papst inlet nozzle without protection against accidental contact. Suction-side noise levels: L<sub>WA</sub> as per ISO 13347, L<sub>pA</sub> measured at 1 m distance to fan axis. The acoustic values given are only valid under the measurement conditions listed and may vary depending on the installation situation. With any deviation to the standard setup, the specific values have to be checked and reviewed once installed or fitted! For detailed information see page 172 ff.

- **Motor protection:** TOP wired internally
- **Touch current:** < 0,75 mA acc. to IEC 60990 (test circuit, illustration 4)
- **Cable exit:** Variable
- **Protection class:** I (if customer has provided connection for protective earth)
- **Product conforming to standards:** EN 60335-1, CE
- **Approvals:** VDE, cURus on request



Mass of centrifugal fan

Centrifugal fan

kg

R2E 250-RB06 -01

4,10

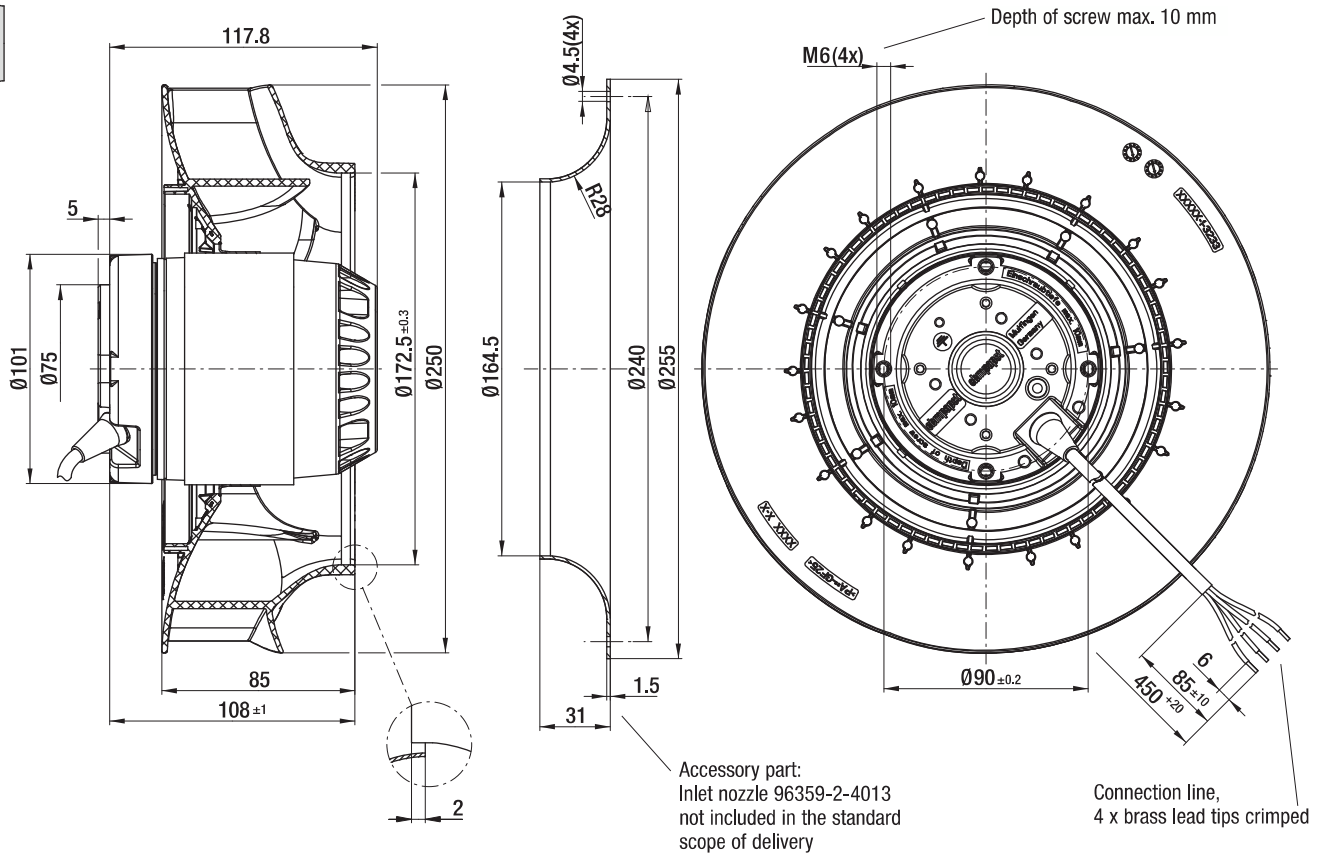
# AC centrifugal fans – RadiCal

backward curved, Ø 250



www.wentylatory-online.pl

R2E 250-RB06-01 (Centrifugal fan)

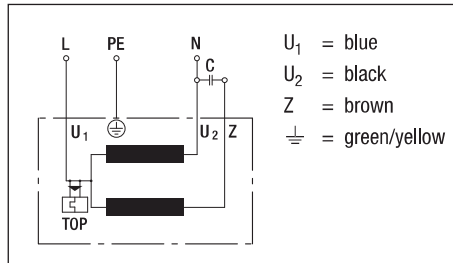


# Electrical connections AC

## A1) / A2a)

### A1) Single-phase capacitor motor (1~ 230 VAC power line)

with TOP wired internally



### A2a) Single-phase capacitor motor (1~ 230 VAC power line)

with connection for external TOP

