

AC centrifugal fan

Backward curved



- **Impeller material:** All-plastic impeller of PA 6.6 GV, injected round sheet-metal plate
- **Bearings:** Maintenance-free ball bearings
- **Direction of rotation:** Right, looking at rotor

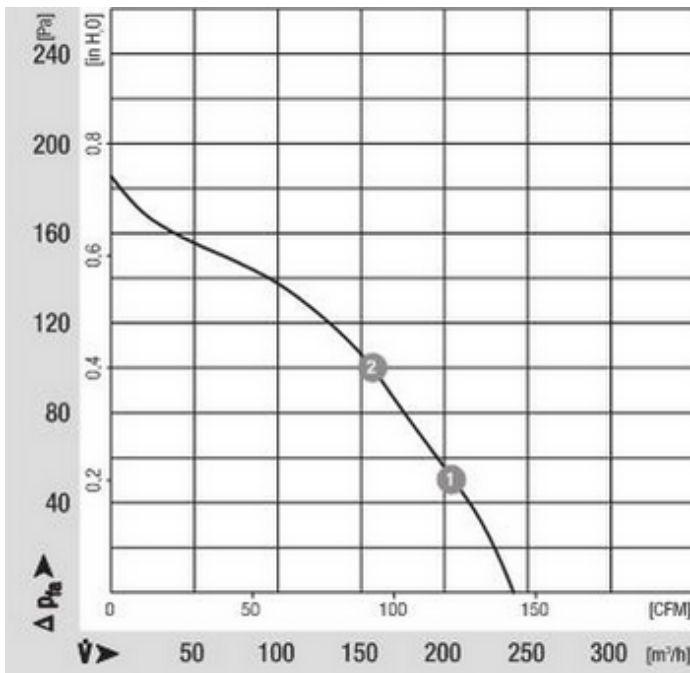
Nominal data

Type	Motor	Voltage 1- VAC	Frequency Hz	Air flow m³/h	Speed 1/min	Power consumption W	Current draw A	Capacitor capacity uF/V	Sound pressure level dB(A)	Ambient temperature 50Hz °C	Weight kg
R2E133BH6607	M2E052BF	230	50	240	2700	25	0.11	1.0 / 400	53	-25 .. 55	0.7

Subject to modification

Characteristic: Pressure over air flow at 50Hz

n	P ₁	I	LpA	ntL
[1/min]	[W]	[A]	[dBA]	[%]



1	2680	25	--	--	--
2	2680	25	--	--	--

AC centrifugal fan

Backward curved

Contact

ebm-papst Mulfingen GmbH & Co. KG

Bachmühle 2

D-74673 Mulfingen

Phone +49 (0) 79 38 / 81-0

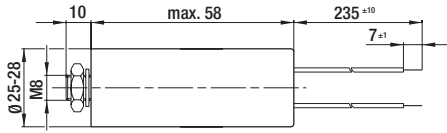
Fax +49 (0) 79 38 / 81-110

info1@de.ebmpapst.com

www.ebmpapst.com

MKP motor capacitor (without fuse), 1.0 μ F

Order No.	Capacity
02100-4-7320	1.0 μ F



Technical description

- **Material:** Housing of Thermoplast
- **Connecting cable:** Multi-core PVC wire 0.5 mm² (16 x 0.2 mm²) with wire-end clamp
- **Approvals:** VDE in accordance with DIN EN 60252 (VDE 0560/8)
- **Expected service life:** 400 VDB; -25 to +85°C; 30,000 hrs.; Class A
450 VDB; -25 to +85°C; 10,000 hrs.; Class B

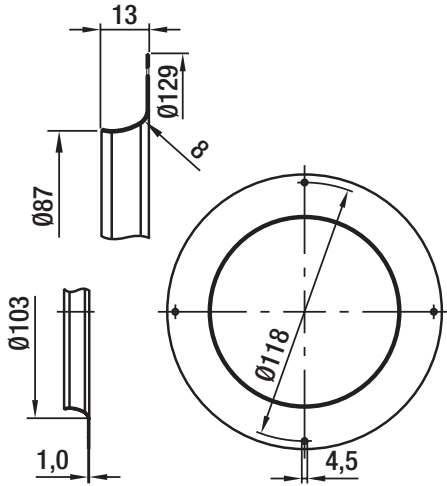
Contact

ebm-papst Mulfingen GmbH & Co. KG
Bachmühle 2
D-74673 Mulfingen
Phone +49 (0) 79 38 / 81-0
Fax +49 (0) 79 38 / 81-110
info1@de.ebmpapst.com
www.ebmpapst.com

Inlet nozzle

Order No.

09566-2-4013



Technical description

- **Material:** Sendzimir galvanized sheet steel

Contact

ebm-papst Mulfingen GmbH & Co. KG

Bachmühle 2

D-74673 Mulfingen

Phone +49 (0) 79 38 / 81-0

Fax +49 (0) 79 38 / 81-110

info1@de.ebmpapst.com

www.ebmpapst.com